

MATERIAL NUMBER	# OF COLUMNS	# OF DIFF PAIR	DIM "A" MAX	DIM "B"	PTH $\phi$
76500-w8**	8	32	22.80	13.30	0.46+0.05
76500-w1**	10	40	26.60	17.10	0.46+0.05
76500-w6**	16	64	38.00	28.50	0.46+0.05
76500-w8**	8	32	22.80	13.30	0.39+0.05
76500-w1**	10	40	26.60	17.10	0.39+0.05
76500-w6**	16	64	38.00	28.50	0.39+0.05

76500-\*\*\*\*

MODULE TYPE  
 3 = LEFT GUIDED, LEAD-FREE  
 7 = LEFT GUIDED, LEAD-FREE W/ ENDWALL

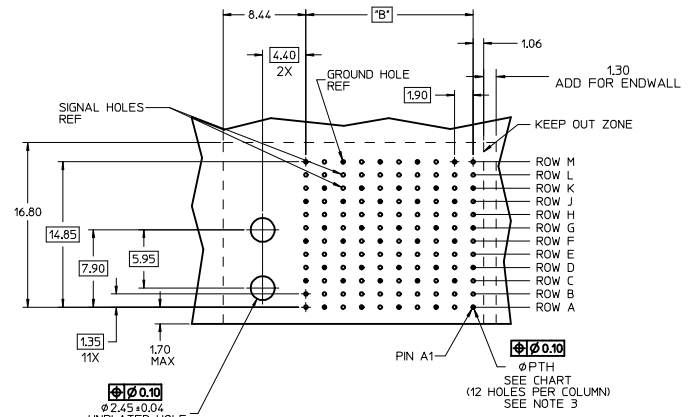
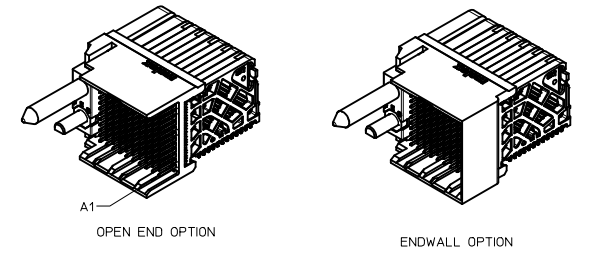
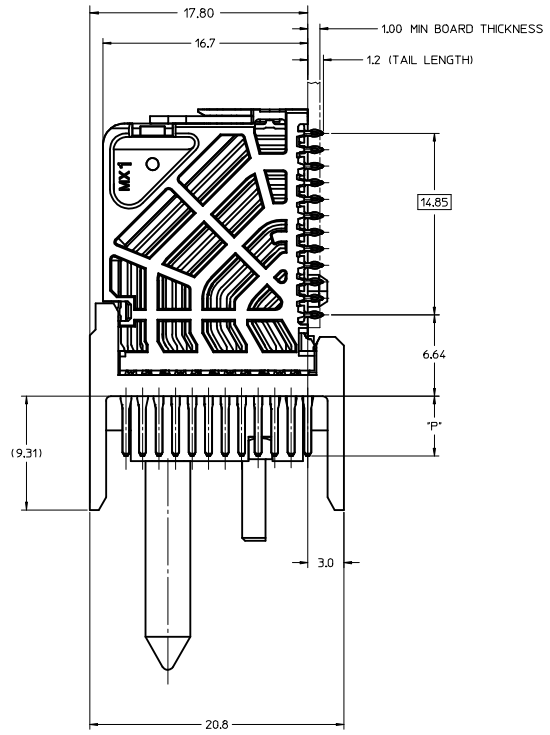
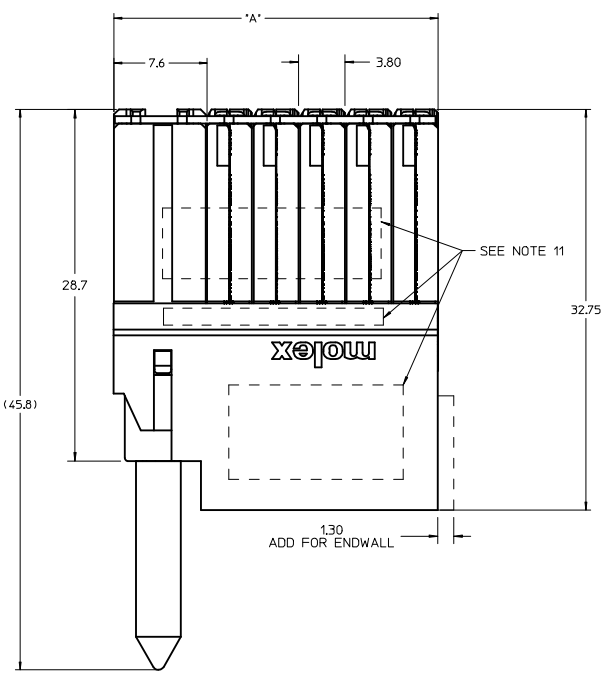
# OF COLUMNS  
 1 = 10 COLUMNS  
 6 = 16 COLUMNS  
 8 = 8 COLUMNS

PIN LENGTH (P)  
 4 = 4.90 (0.46 PTH)  
 5 = 5.50 (0.46 PTH)  
 7 = 4.90 (0.39 PTH)  
 8 = 5.50 (0.39 PTH)

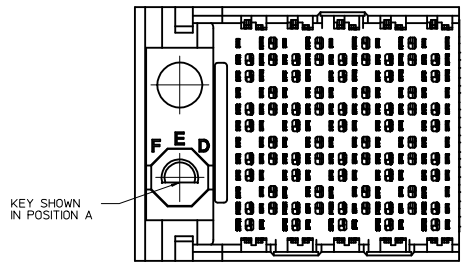
KEY ORIENTATION  
 0 = NO KEY  
 1 = A 5 = E  
 2 = B 6 = F  
 3 = C 7 = G  
 4 = D 8 = H

NOTES:

- MATERIALS: HOUSING - LIQUID CRYSTAL POLYMER (LCP).  
 GLASS-FILLED, UL94V-0  
 TERMINALS - HIGH PERFORMANCE COPPER ALLOY
- FINISH: 30μm SELECTIVE GOLD IN CONTACT AREA.  
 SELECTIVE TIN ON PCB TAILS, NICKEL OVERALL.
- REFER TO MOLEX PRODUCT SPECIFICATION PS-76060-999 FOR PERFORMANCE SPECIFICATIONS AND ADDITIONAL PCB INFORMATION.
- EACH SIGNAL WAFER CONTAINS 2 COLUMNS OF TERMINALS.
- PRODUCT IS PACKAGED PER PK-70873-041.
- THIS PART CONFORMS TO CLASS B REQUIREMENTS OF COSMETIC SPEC PS-45499-002.
- REFER TO MOLEX SALES DRAWING SD-76160-004 FOR THE MATING RECEPTACLES.
- REFER TO MOLEX PCB ROUTING GUIDE AS-76060-990 FOR ANTIPAD AND ROUTING RECOMMENDATIONS.
- WHEN USING MOLEX SUPPLIED #2-32 SCREW 73726-0000 (9.50mm ±0.38 THREADABLE SCREW LENGTH), THE MAXIMUM BOARD THICKNESS IS 4.4mm.
- GUIDE LEFT RAM MATES TO GUIDE RIGHT DAUGHTERCARD.



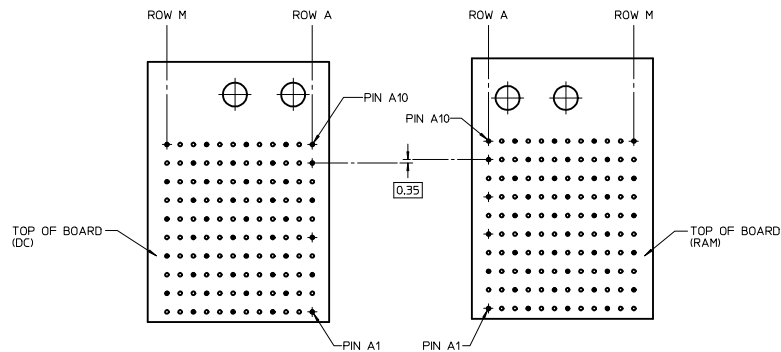
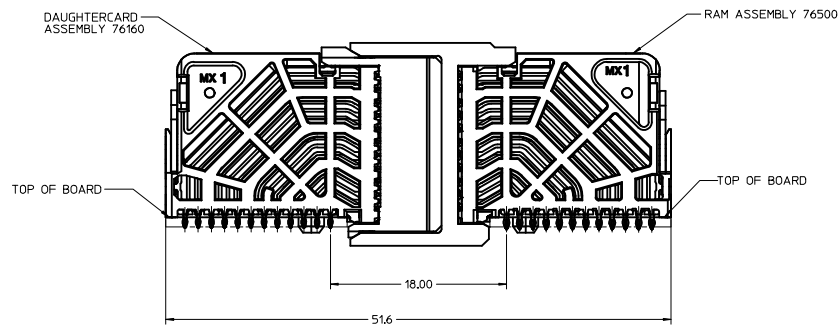
RAM HOLE PATTERN (CONNECTOR SIDE)



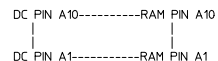
ADD LASER MARK INFO EC NO. UCP2016-3973 DRAWN BY DRWNSDVARARA CHXK'D BY CHXD:TELO APPR: TELLO DATE: 2015/07/29 DATE: 2016/02/22 DATE: 2016/04/20	QUALITY SYMBOLS ∇=0 ∇=0 ∇=0	GENERAL TOLERANCES (UNLESS SPECIFIED) DIMENSION STYLE MM ONLY	DRAWN BY DATE JOUILLES 2008/12/03	SCALE 5:1	DESIGN UNITS METRIC	THIRD ANGLE PROJECTION		
		4 PLACES ±--- ±--- 3 PLACES ±--- ±--- 2 PLACES ±0.13 ±--- 1 PLACE ±0.25 ±--- 0 PLACE ±--- ±---	CHECKED BY DATE JLAURX 2008/12/04	APPROVED BY DATE JLAURX 2008/12/05	TITLE IMPACT 4 PAIR RAM GUIDE LEFT SIGNAL MODULE SALES DWG	MATERIAL NO. SEE TABLE	DOCUMENT NO. SD-76500-002	SHEET NO. 1 OF 2
		ANGULAR ±1/2° DRAFT WHERE APPLICABLE MUST REMAIN WITHIN DIMENSIONS	THIS DRAWING CONTAINS INFORMATION THAT IS PROPRIETARY TO MOLEX INCORPORATED AND SHOULD NOT BE USED WITHOUT WRITTEN PERMISSION					

20 19 18 17 16 15 14 13 12 11 10 9 8 7 6 5 4 3 2 1

### COPLANAR APPLICATION



### COPLANAR MATED SIGNAL PATHS



<b>SEE SHEET 1</b> DEC NO: UCP2016-3973 DRAWN BY: VARVARA CHKD BY: TELO APPR: TELO DATE: 2015/07/29 DATE: 2016/02/22 DATE: 2016/04/20	QUALITY SYMBOLS	GENERAL TOLERANCES (UNLESS SPECIFIED)	DIMENSION STYLE	SCALE	DESIGN UNITS	THIRD ANGLE PROJECTION	
	▽=0	mm INCH	MM ONLY	4:1	METRIC		
	▽=0	4 PLACES ± --- ± ---	DRAWN BY: JOUILLES	DATE: 2008/12/03	TITLE		
	▽=0	3 PLACES ± --- ± ---	CHECKED BY: JLAURX	DATE: 2008/12/04	IMPACT 4 PAIR RAM GUIDE LEFT SIGNAL MODULE SALES DWG		
		ANGULAR ±1/2°	APPROVED BY: JLAURX	DATE: 2008/12/05	molex		
		DRAFT WHERE APPLICABLE MUST REMAIN WITHIN DIMENSIONS	MATERIAL NO: SEE TABLE	DOCUMENT NO: SD-76500-002	SHEET NO: 2 OF 2		
			THIS DRAWING CONTAINS INFORMATION THAT IS PROPRIETARY TO MOLEX INCORPORATED AND SHOULD NOT BE USED WITHOUT WRITTEN PERMISSION				

19 18 17 16 15 14 13 12 11 10 9 8 7 6 5 4 3 2 1

MATERIAL NUMBER	# OF COLUMNS	# OF DIFF PAIR	DIM "A" MAX	DIM "B"	PTH $\phi$
76500-#8**	8	32	22.80	13.30	0.46+0.05
76500-#1**	10	40	26.60	17.10	0.46+0.05
76500-#6**	16	64	38.00	28.50	0.46+0.05
76500-#8**	8	32	22.80	13.30	0.39+0.05
76500-#1**	10	40	26.60	17.10	0.39+0.05
76500-#6**	16	64	38.00	28.50	0.39+0.05

**76500-\*\*\*\***

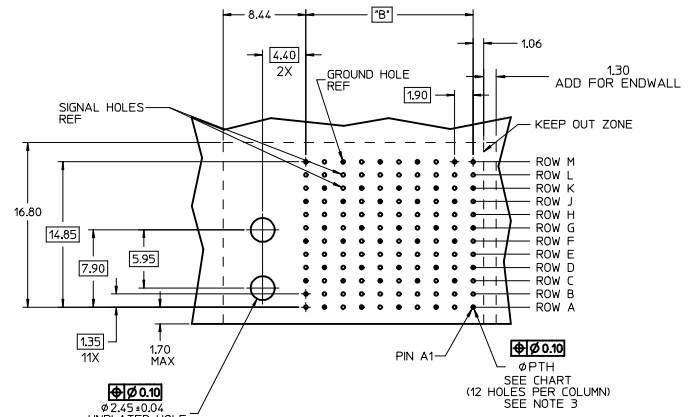
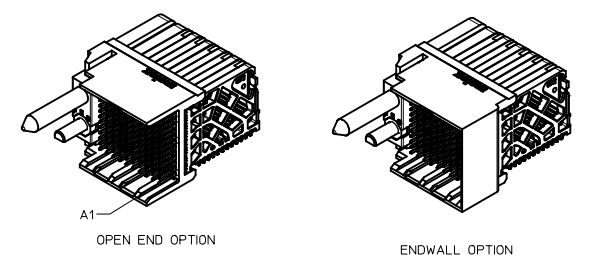
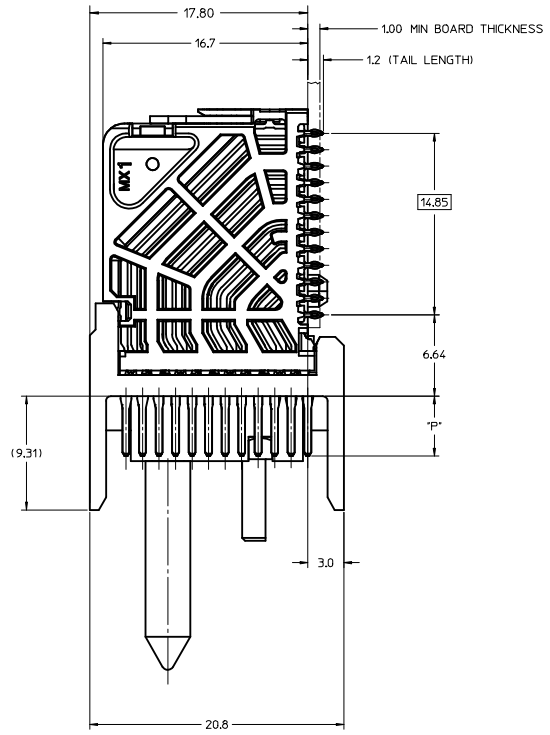
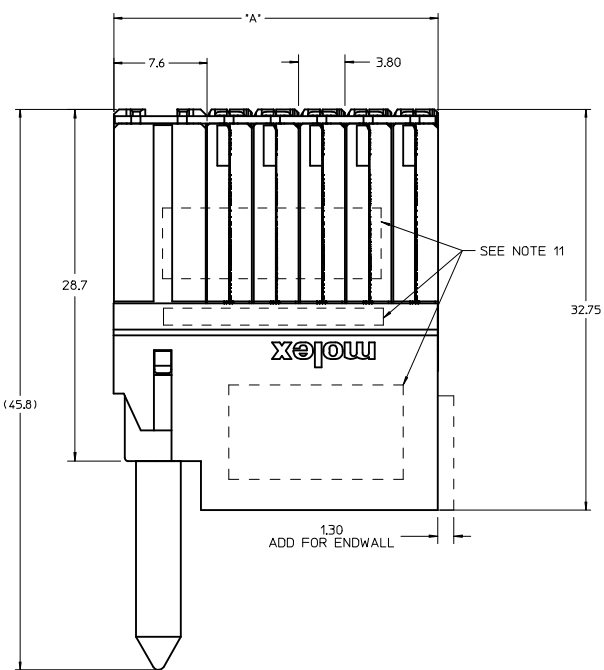
MODULE TYPE  
 3 = LEFT GUIDED, LEAD-FREE  
 7 = LEFT GUIDED, LEAD-FREE W/ ENDWALL

# OF COLUMNS  
 1 = 10 COLUMNS  
 6 = 16 COLUMNS  
 8 = 8 COLUMNS

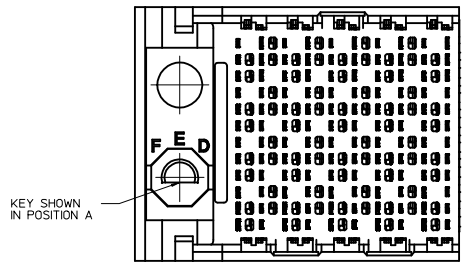
PIN LENGTH (P)  
 4 = 4.90 (0.46 PTH)  
 5 = 5.50 (0.46 PTH)  
 7 = 4.90 (0.39 PTH)  
 8 = 5.50 (0.39 PTH)

KEY ORIENTATION  
 0 = NO KEY  
 1 = A 5 = E  
 2 = B 6 = F  
 3 = C 7 = G  
 4 = D 8 = H

- NOTES:
- MATERIALS: HOUSING - LIQUID CRYSTAL POLYMER (LCP), GLASS-FILLED, UL94V-0  
TERMINALS - HIGH PERFORMANCE COPPER ALLOY
  - FINISH: 30µm SELECTIVE GOLD IN CONTACT AREA, SELECTIVE TIN ON PCB TAILS, NICKEL OVERALL.
  - REFER TO MOLEX PRODUCT SPECIFICATION PS-76060-999 FOR PERFORMANCE SPECIFICATIONS AND ADDITIONAL PCB INFORMATION.
  - EACH SIGNAL WAFER CONTAINS 2 COLUMNS OF TERMINALS.
  - PRODUCT IS PACKAGED PER PK-70873-041.
  - THIS PART CONFORMS TO CLASS B REQUIREMENTS OF COSMETIC SPEC PS-45499-002.
  - REFER TO MOLEX SALES DRAWING SD-76160-004 FOR THE MATING RECEPTACLES.
  - REFER TO MOLEX PCB ROUTING GUIDE AS-76060-990 FOR ANTIPAD AND ROUTING RECOMMENDATIONS.
  - WHEN USING MOLEX SUPPLIED #2-32 SCREW 73726-0000 (9.50mm  $\pm$  0.38 THREADABLE SCREW LENGTH), THE MAXIMUM BOARD THICKNESS IS 4.4mm.
  - GUIDE LEFT RAM MATES TO GUIDE RIGHT DAUGHTERCARD.



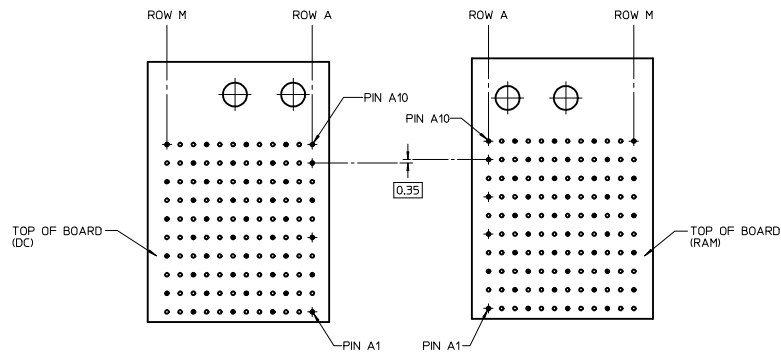
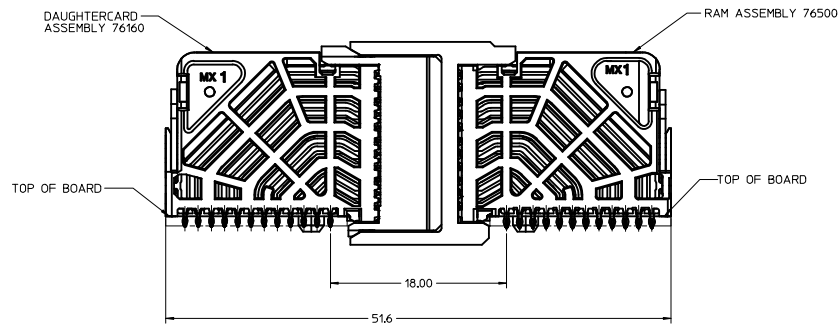
**RAM HOLE PATTERN (CONNECTOR SIDE)**



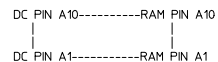
ADD LASER MARK INFO EC NO.: UCP2016-3973 DRAWN BY: DRWNSDVARARA CHKD: TELI APPR: TELI	QUALITY SYMBOLS ▽=0 ▽=0 ▽=0	GENERAL TOLERANCES (UNLESS SPECIFIED)		DIMENSION STYLE		SCALE		DESIGN UNITS		THIRD ANGLE PROJECTION	
		mm	INCH	MM ONLY	DATE	5:1	METRIC	M			
DESCRIPTION	4 PLACES ±---	---	---	JOUILLES	2008/12/03	TITLE					
	3 PLACES ±---	---	---	JLAURX	2008/12/04	IMPACT 4 PAIR RAM					
	2 PLACES ±0.13	---	---	JLAURX	2008/12/05	GUIDE LEFT					
	1 PLACE ±0.25	---	---	JLAURX	2008/12/05	SIGNAL MODULE SALES DWG					
	0 PLACE ±---	---	---	JLAURX	2008/12/05	<b>molex</b>					
	ANGULAR ±1/2°		MATERIAL NO.		DOCUMENT NO.		SHEET NO.				
	DRAFT WHERE APPLICABLE MUST REMAIN WITHIN DIMENSIONS		SEE TABLE		SD-76500-002		1 OF 2				
	THIS DRAWING CONTAINS INFORMATION THAT IS PROPRIETARY TO MOLEX INCORPORATED AND SHOULD NOT BE USED WITHOUT WRITTEN PERMISSION										

20 19 18 17 16 15 14 13 12 11 10 9 8 7 6 5 4 3 2 1

COPLANAR APPLICATION



COPLANAR MATED SIGNAL PATHS



<b>SEE SHEET 1</b> DEC NO: UCP2016-3973 DRAWN BY: DRW/DV/ARARA CHKD BY: CHK/D/TELO APPR: TEL/TELO DATE: 2015/07/29 DATE: 2016/02/22 DATE: 2016/04/20	QUALITY SYMBOLS	GENERAL TOLERANCES (UNLESS SPECIFIED)	DIMENSION STYLE	SCALE	DESIGN UNITS	THIRD ANGLE PROJECTION
	▽=0	mm INCH	MM ONLY	4:1	METRIC	☉
	▽=0	4 PLACES ± --- ± ---	DRAWN BY: JOUILLES	DATE: 2008/12/03	TITLE: IMPACT 4 PAIR RAM GUIDE LEFT SIGNAL MODULE SALES DWG	
	▽=0	3 PLACES ± --- ± ---	CHECKED BY: JLAURX	DATE: 2008/12/04	MATERIAL NO. SEE TABLE	
	2 PLACES ± 0.13 ± ---	APPROVED BY: JLAURX	DATE: 2008/12/05	DOCUMENT NO. SD-76500-002		SHEET NO. 2 OF 2
	1 PLACE ± 0.25 ± ---	DRAFT WHERE APPLICABLE MUST REMAIN WITHIN DIMENSIONS THIS DRAWING CONTAINS INFORMATION THAT IS PROPRIETARY TO MOLEX INCORPORATED AND SHOULD NOT BE USED WITHOUT WRITTEN PERMISSION				

19 18 17 16 15 14 13 12 11 10 9 8 7 6 5 4 3 2 1