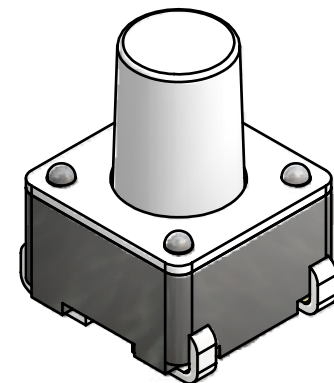
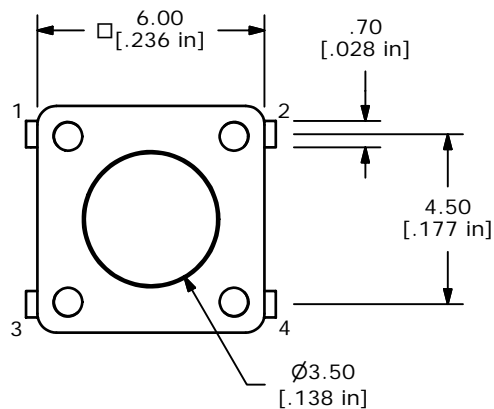
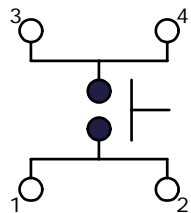


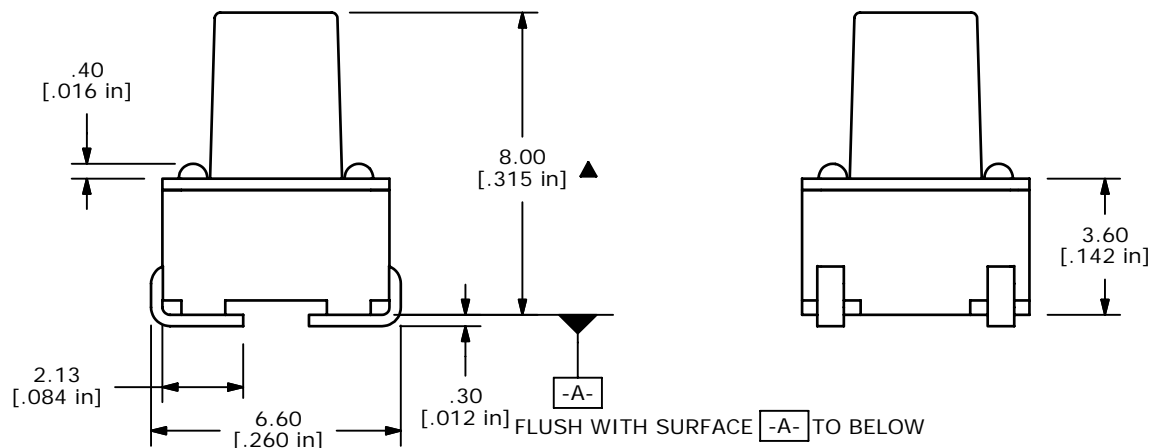
P.C.B. LAYOUT



ISOMETRIC



CIRCUIT: SPST



NOTES:

1. ALL DIMENSIONS IN MM
2. GENERAL TOLERANCE: X.X=±0.4  
X.XX=±0.25
3. TERM. NOS. FOR REFERENCE ONLY.
4. RATING: 50mA @ 12VDC
- ▲5. OPERATING FORCE: 160 ± 50 gms
6. TRAVEL: 0.25mm +0.2/ -0.1
7. CONTACT RESISTANCE: 100 MILLI OHMS MAX. (INITIAL)
8. MECHANICAL/ELECTRICAL LIFE: 100,000 CYCLES.
- ▲9. CONTACT MATERIAL: SILVER
10. PACKAGE: 750/PIECES PER POLY BAG (BULK)
11. ▲ DENOTES CRITICAL PARAMETER
12. 2002/95/EC (ROHS) COMPLIANT.
13. OPERATING TEMPERATURE: -40°C TO 80°C

**E-SWITCH®**

C	16709	UPDATED DRAWING	11/28/06	TN
B	14670	REVISED AND REDRAWN	2/4/05	AR
REV	PCR NO	DESCRIPTION	DATE	BY

TITLE TL3301CF160QJ				
SCALE	DATE	DR	DWG	REV
5:1	11/28/2006	TN	P010589	C

THE INFORMATION CONTAINED IN THIS DOCUMENT IS PROPRIETARY TO E-SWITCH AND IS NOT TO BE COPIED OR TRANSFERRED