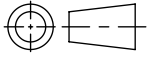
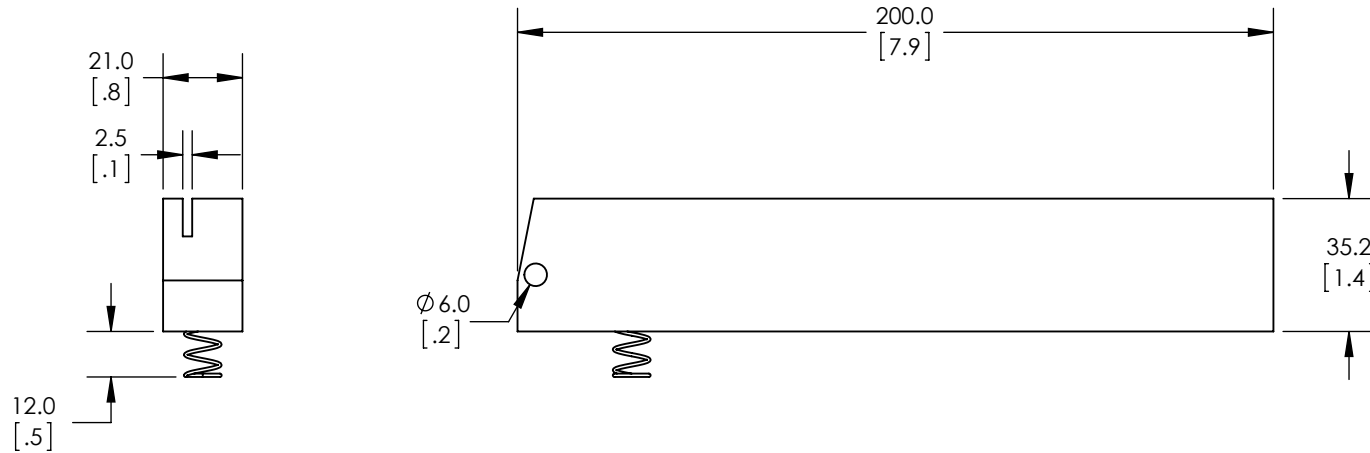
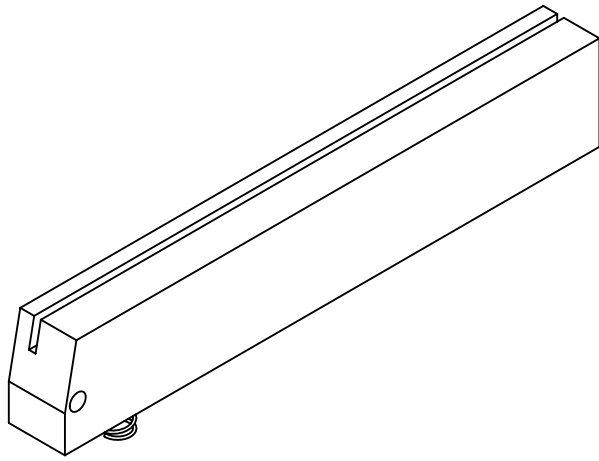


SW2015



Revision level			Revision Record	Changed	Date	Approved	Date
Drawing	State	Part					
00.0	Design Release		SEE ECN# 013989	CAS	8-7-2017	KAC	8-7-2017



Material  
ASSEMBLED

Units: **millimeters**  
 Dimension without tolerances details to:  
 .xxx = ±.013  
 .xx = ±.13  
 .x = ±.3  
 None = ±.8  
 < = ±0.5°  
 Dimension Formatted mm/[in]

The copyright of this drawing is reserved by HellermannTyton. It is issued on condition that it is not reproduced, copied, or disclosed to a third party, either wholly or in part, without the consent of HellermannTyton.

Drawn	CAS	8-7-2017
Approved	KAC	8-7-2017

**HellermannTyton**  
 North America  
 Email: corp@htamericas.com  
 Web: www.hellermann.tyton.com

Article/Type-No	904-00297
Title	<b>WIRING DUCT CUTTING TOOL PRESSURE PAD</b>
Drawing-No	PRODUCTION : Phase <b>17-1568-001-CSU</b>

Scale 1:1  
 Project Number PRP 17-1568  
 Format AH  
 Sheet 1/1