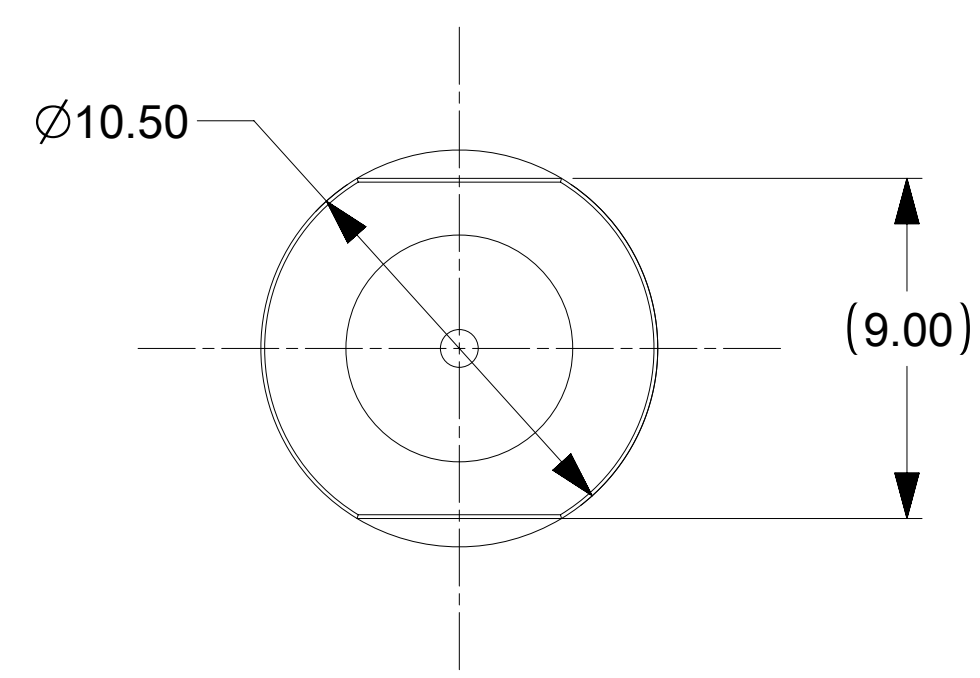
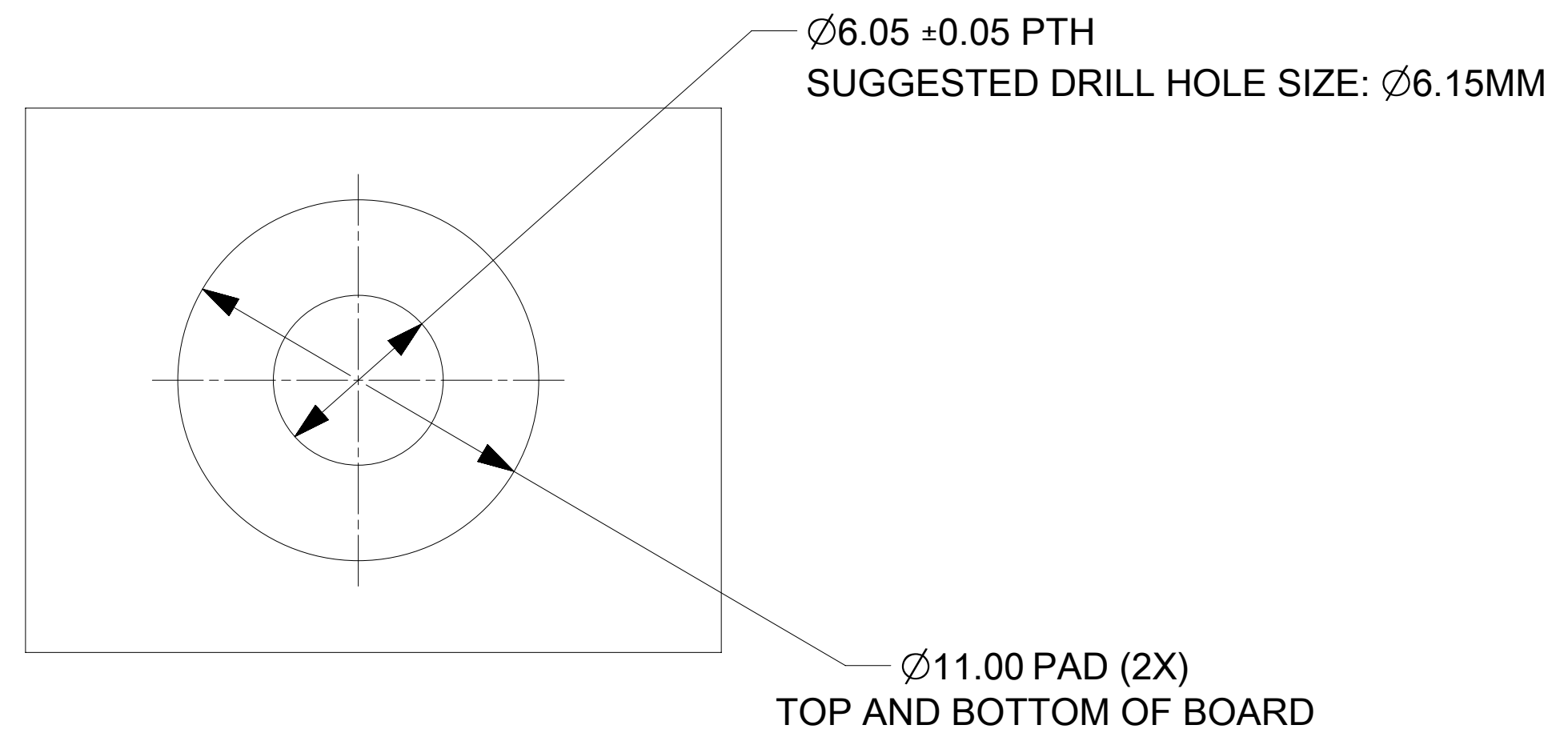


PART NUMBER	DIMENSION "L"
203263-6085	18.52
203263-6185	25.52
203263-6285	20.92
203263-6385	30.92
203263-6485	29.42
203263-6585	23.77
203263-6685	40.00
203263-6785	51.52
203263-6885	45.50
203263-6985	14.02
203263-8085	16.00
203263-8185	20.00
203263-8285	26.00
203263-8485	36.00
203263-8585	48.00
203263-8385	92.10

SECTION A-A



RECOMMENDED PCB OR BUSBAR LAYOUT

NOTES:

1. MATERIALS:
BASE METAL: HIGH CONDUCTIVE COPPER ALLOY
PLATING ON BODY: 3.18 MICRON MIN SILVER OVER 1.27 MICRON MIN NICKEL
2. PRODUCT SPECIFICATION: 2043130006-PS
3. APPLICATION SPECIFICATION: 2043130006-AS
4. PARTS TO BE PACKAGED AS PER PACKAGING SPECIFICATION: 2032630006-PK
5. SILVER COMPONENTS WILL BE SUPPLIED TARNISH FREE BUT MAY TARNISH OVER TIME.
6. PART MOUNTED WITH CONDUCTIVE M4 SCREW AND CONDUCTIVE BELLEVILLE WASHER FOR OPTIMAL PERFORMANCE
7. SCREW LENGTH TO BE DETERMINED BY CUSTOMER, SCREWS AND WASHERS ARE NOT SUPPLIED BY MOLEX.

THIS DRAWING CONTAINS INFORMATION THAT IS PROPRIETARY TO MOLEX ELECTRONIC TECHNOLOGIES, LLC AND SHOULD NOT BE USED WITHOUT WRITTEN PERMISSION									
DIMENSION UNITS	SCALE	CURRENT REV DESC: UPDATED NOTES							
mm	5:1	<p>SENTRALITY 6.00MM MALE TERMINAL SCREW MOUNT</p> <p>PRODUCT CUSTOMER DRAWING</p>							
GENERAL TOLERANCES (UNLESS SPECIFIED)									
ANGULAR TOL	± 0.5°								
4 PLACES	±								
3 PLACES	±								
2 PLACES	± 0.15	EC NO: 748054	2023/02/07		2023/05/08		2023/05/22		
1 PLACE	± 0.25	DRWN: SUVARS	2023/02/07		2023/05/08		2023/05/22		
0 PLACES	±	CHK'D: SUVARS	2023/05/08		2023/05/22		2023/05/22		
DRAFT WHERE APPLICABLE MUST REMAIN WITHIN DIMENSIONS		THIRD ANGLE PROJECTION		DRAWING	SERIES	MATERIAL NUMBER	CUSTOMER	SHEET NUMBER	
				D-SIZE	203263	SEE TABLE	GENERAL MARKET	1 OF 1	