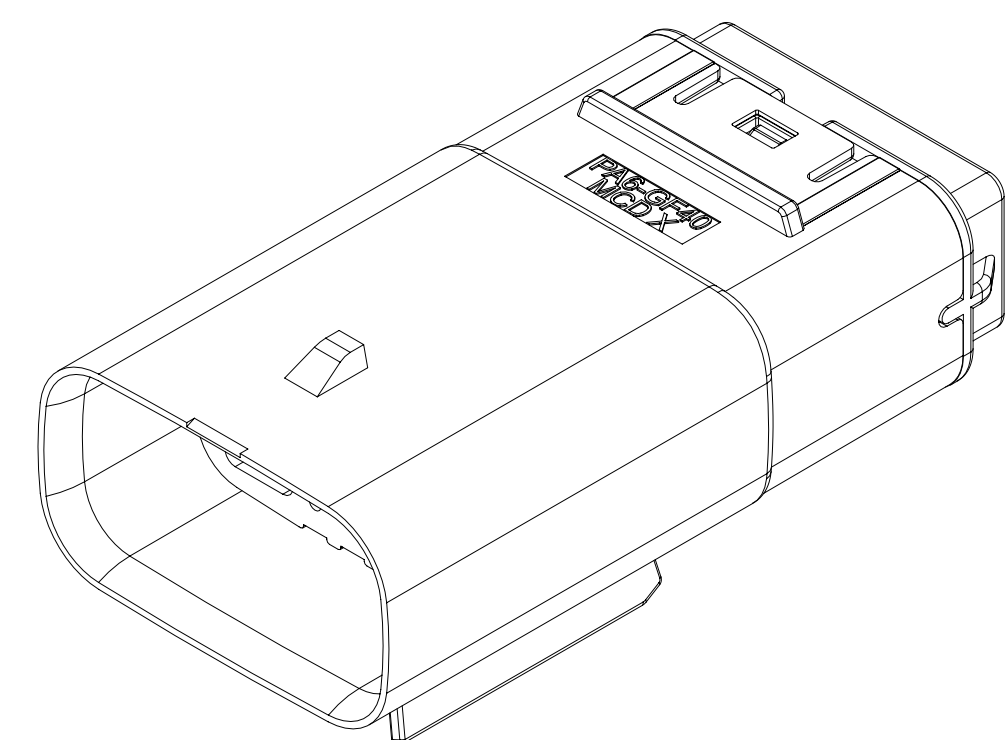
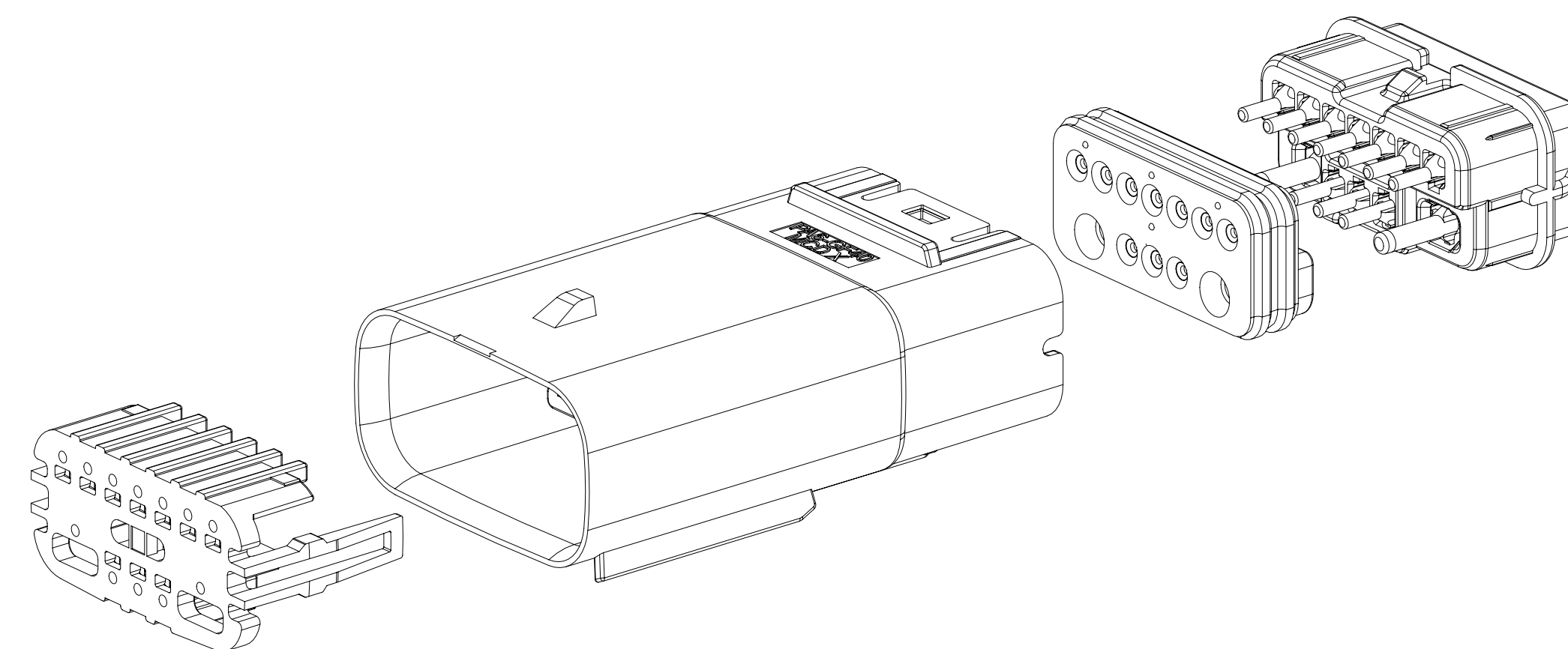


| TABLE OF CONTENTS | |
|-------------------|--------------------------|
| SHEET NO. | SHEET DESCRIPTION |
| 1 | NOTES |
| 2 | CONFIGURATIONS |
| 3 | KEY CONFIGURATIONS |
| 4 | BLADE CONNECTOR ASSEMBLY |
| 5 | SYSTEM PACKAGING |
| 6 | 12W HYBRID CONNECTOR BOM |

| DESCRIPTION | PACKAGING DRAWING NO. | MATING INTERFACE/CONNECTOR DRAWINGS | |
|-------------|-----------------------|-------------------------------------|---------------|
| | | INTERFACE DEFINITION | MOLEX INLINE |
| 12W HYBRID | RPK-1601129000 | SD-1601110000 | SD-1601110000 |



12W HYBRID



NOTES: VALID UNLESS OTHERWISE SPECIFIED

1. GENERAL:

- 1.1 APPLICATION SPECIFICATION SEE: 1601110001-AS
 - CONTAINS: PRODUCT INTRODUCTION, PRODUCT SUMMARY, CONNECTOR ASSEMBLY, PACKAGING INFORMATION, CONNECTOR MATING, SERVICE INSTRUCTIONS, ELECTRICAL CONTINUITY CHECKING, CRIMPING, AND TROUBLE SHOOTING.
 - DESIGNED TO MATE WITH DEVICE OR CONNECTOR AS SPECIFIED IN THE MATING INTERFACE/CONNECTOR DRAWINGS CHART.
 - *DENOTES DRAWINGS THAT CAN BE ACCESSED AT [http://ewcap.uscarteams.org/]
 - ASSEMBLY SHIPPED WITH THE FOLLOWING PARTS IN PRE-LOCK POSITION (PLR, CPA, ISL, LEVEL. SEE PRE-LOCK VIEW ON SHEET X).
- 1.2 PRODUCT SPECIFICATION SEE: 1601110001-PS
 - CONTAINS: SCOPE, PRODUCT DESCRIPTION, INTEGRAL COMPONENTS AND ACCESSORIES, APPLICABLE DOCUMENTS AND SPECIFICATIONS, RATINGS, PERFORMANCE, PACKAGING, GAUGES AND FIXTURES, AND OTHER INFORMATION.
- 1.3 PACKAGING SPECIFICATION PER MOLEX DRAWING: SEE TABLE
- 1.4 PARTS MUST BE IN COMPLIANCE TO MOLEX CHEMICAL SUBSTANCES FOR PRODUCTS AND PACKAGING SPECIFICATION: QEHS-699000-300
- 1.5 DATA MUST BE SUBMITTED UNDER THE MOLEX PART NUMBER TO IMDS (COMPANY ID#13255)

2. DESIGN - MATERIALS:

- 2.1 SEE BOM TABLE

3. DESIGN - GEOMETRY:

- 3.1 THE 3-D CAD DATA IS BASIC (WITHOUT TOLERANCE) AND MUST BE TAKEN FROM THE DATA FILE AT ITS LATEST REVISION.
 - 3.2 THE 3-D CAD DATA IS MASTER FOR THIS PART AND IS TO BE USED TO ESTABLISH DIMENSIONAL INFORMATION NOT SHOWN ON THIS DRAWING. ANY DIMENSIONS UNDERLINED INDICATE A CONFLICT WITH THE MODEL.
 - 3.3 PRODUCT DESIGN MODEL NUMBER(S): SEE BOM TABLE
 - 3.4 GEOMETRIC DIMENSIONS AND TOLERANCES PER ASME Y14.5M-2009
 - 3.5 EDGES OF UNDEFINED SHAPE PER ISO 13715
 - 3.6 CORNERS SHOWN AS SHARP TO BE R 0.2 MAX
 - 3.7 LETTERING SHALL BE 0.15 MAX RAISED IN 0.25 MAX RECESS PAD.
THIS INCLUDES RECYCLING CODE, CAVITY ID, VENDOR IDENTIFICATION, AND CUSTOMER MATERIAL NUMBER.
 - 3.8 VISUAL DEFECTS SHALL MEET COSMETIC STANDARD PS-45499-002 (CLASS B).
 - 3.7 LASER MARKING
 - 1. PART NUMBER
 - 2. DAY OF THE YEAR
 - 3. SHIFT
 - 4. YEAR
- FOR ADDITIONAL INFORMATION SEE SECTION 5 UNDER PROCEDURES IN ES-34735-008.

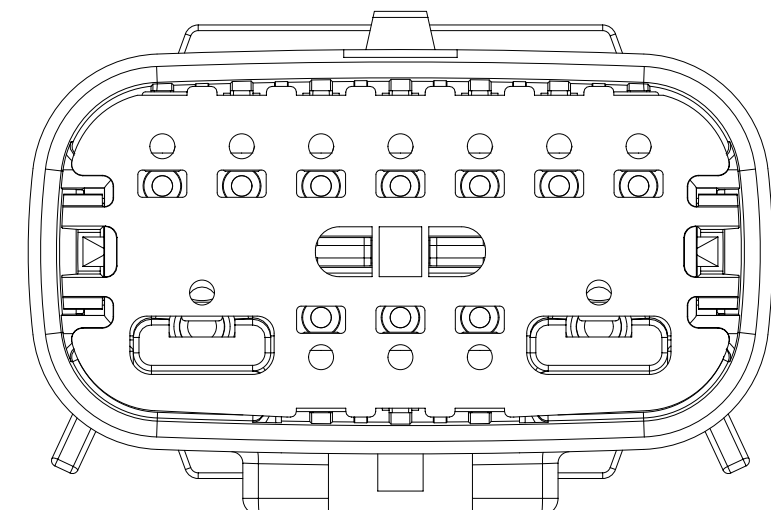
| | |
|----|---|
| D7 | ADD NEW PN 160112-6047 |
| D6 | ADD NEW PN 160112-6046 |
| D5 | ADD NEW PN 160112-6045 |
| D4 | ADD NEW PN 160112-6044 |
| D3 | ADD NEW PN 160112-6043 |
| D2 | ADD NEW PN 160112-6042 |
| D1 | ADD NEW PN 160112-6041 |
| D | ADD NEW PN 160112-6039 AND 160112-6040 |
| C2 | UPDATED NOTES |
| C1 | CHANGE DOCUMENT TYPE FROM RSD TO SD |
| C | ADD NEW PN 160112-6030 THRU 6038 |
| B | UPDATED INFORMATION TO PRODUCTION LEVEL |
| A2 | ADDED NEW PN. 160112-6023 160112-6024 160112-6025 160112-6026 160112-6027 160112-6028 160112-6029 |
| A1 | ADDED NEW PN. 160112-6022 |

| INSPECTION NUMBER LOG | | INITIAL RELEASE |
|-----------------------|-----|-----------------|
| LAST NUMBER: 5 | REV | REV DESCRIPTION |
| | A | |

| | | | | | |
|--|---|-----------------|--------------------------------------|--------------|-----------------|
| FUNCTIONAL SYMBOLS | THIS DRAWING CONTAINS INFORMATION THAT IS PROPRIETARY TO MOLEX ELECTRONIC TECHNOLOGIES, LLC AND SHOULD NOT BE USED WITHOUT WRITTEN PERMISSION | | CURRENT REV DESC: SEE REVISION TABLE | | <h1>molex</h1> |
| $F_A = 0$ | DIMENSION UNITS | SCALE | PHASE: Design Production | | |
| $F_C = 0$ | mm | 2:1 | CO NO: CO-00000522 | | |
| $F_P = 0$ | GENERAL TOLERANCES (UNLESS SPECIFIED) | | DRWN: Srikanth CV 2022-02-16 | | |
| DIVISIONAL SYMBOLS | ANGULAR TOL | $\pm 0.5^\circ$ | CHK'D: Chaitra D 2022-02-17 | | |
| | 4 PLACES | ± 0.0000 | APPR: Gurunandan GA 2022-02-17 | | |
| | 3 PLACES | ± 0.0000 | INITIAL REVISION: | | |
| | 2 PLACES | ± 0.000 | DRWN: Srikanth CV 2022-02-16 | | |
| | 1 PLACE | ± 0.00 | APPR: Gurunandan GA 2022-02-17 | | |
| | 0 PLACES | ± 0.00 | THIRD ANGLE PROJECTION | | |
| DRAFT WHERE APPLICABLE MUST REMAIN WITHIN DIMENSIONS | | DRAWING | | SERIES | MATERIAL NUMBER |
| | | D-SIZE | | 160112 | 1601120000 |
| | | CHARTED | | CUSTOMER | PSD 000 D7 |
| | | | | SHEET NUMBER | 1 OF 6 |

SHEET DESCRIPTION

CONFIGURATIONS

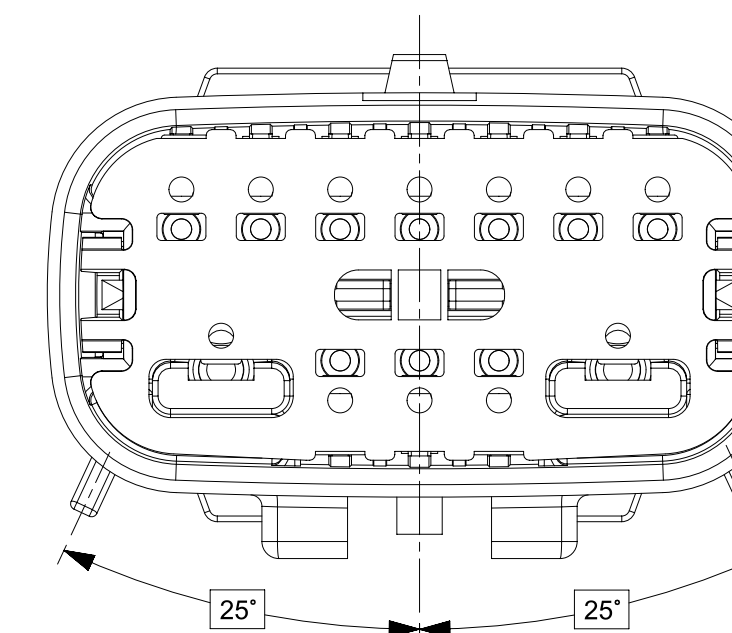


12W HYBRID

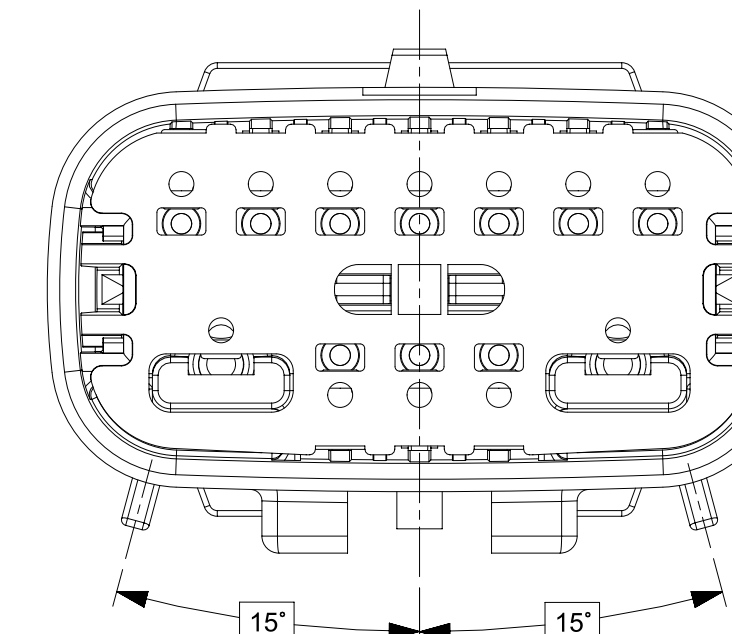
| | | | |
|--|---|------------------------|--|
| FUNCTIONAL SYMBOLS | THIS DRAWING CONTAINS INFORMATION THAT IS PROPRIETARY TO MOLEX ELECTRONIC TECHNOLOGIES, LLC AND SHOULD NOT BE USED WITHOUT WRITTEN PERMISSION | | |
| | DIMENSION UNITS | SCALE | CURRENT REV DESC: SEE REVISION TABLE |
| $\nabla_A = 0$ | mm | 2:1 | PHASE: Design Production CO NO: CO-00000522 |
| $\nabla_C = 0$ | GENERAL TOLERANCES (UNLESS SPECIFIED) | | |
| $\nabla_P = 0$ | ANGULAR TOL $\pm 0.5^\circ$ | | DRWN: Srikanth CV 2022-02-16 |
| DIVISIONAL SYMBOLS | 4 PLACES | ± 0.0000 | CHK'D: Chaitra D 2022-02-17 |
| | 3 PLACES | ± 0.0000 | APPR: Gurunandan GA 2022-02-17 |
| | 2 PLACES | ± 0.000 | INITIAL REVISION: |
| | 1 PLACE | ± 0.00 | DRWN: Srikanth CV 2022-02-16 |
| | 0 PLACES | ± 0.00 | APPR: Gurunandan GA 2022-02-17 |
| DRAFT WHERE APPLICABLE MUST REMAIN WITHIN DIMENSIONS | | THIRD ANGLE PROJECTION | DRAWING |
| | | | SERIES |
| | | | MATERIAL NUMBER |
| | | D-SIZE | CUSTOMER |
| | | 160112 | CHARTED |
| | | | DOCUMENT NUMBER |
| | | | DOC TYPE DOC PART REVISION |
| | | | 1601120000 PSD 000 D7 |
| | | | MOLEX |
| | | | MX150 HYBRID MAT SEAL BLD CONN ASM SALES |
| | | | PRODUCT SALES DRAWING |
| | | | SHEET NUMBER |
| | | | 2 OF 6 |

SHEET DESCRIPTION
KEY CONFIGURATIONS

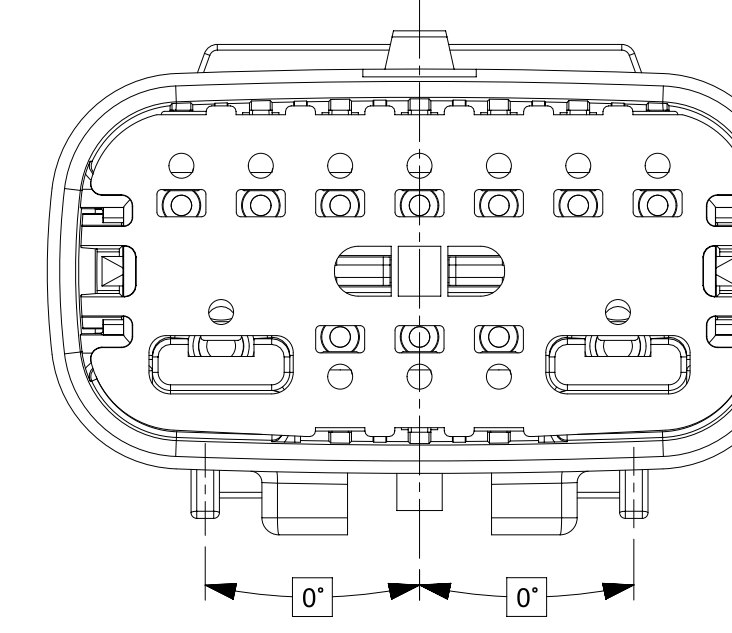
12W HYBRID



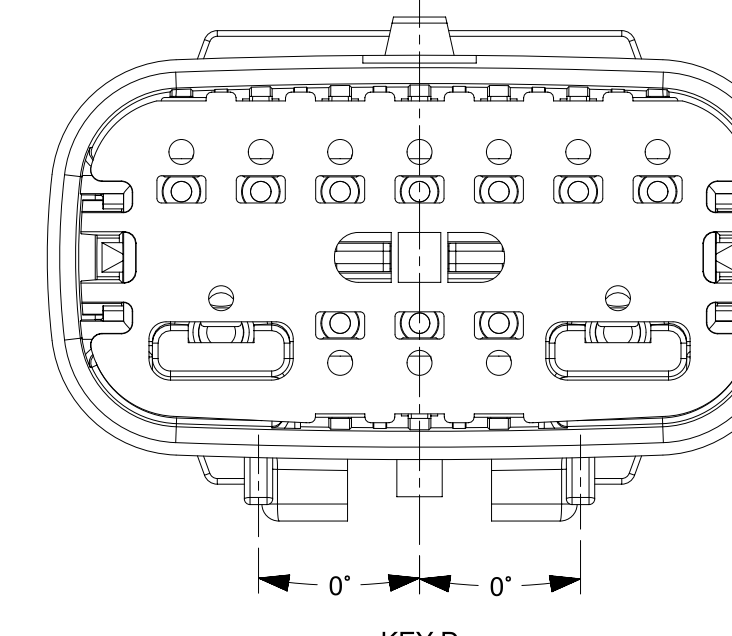
KEY A



KEY B



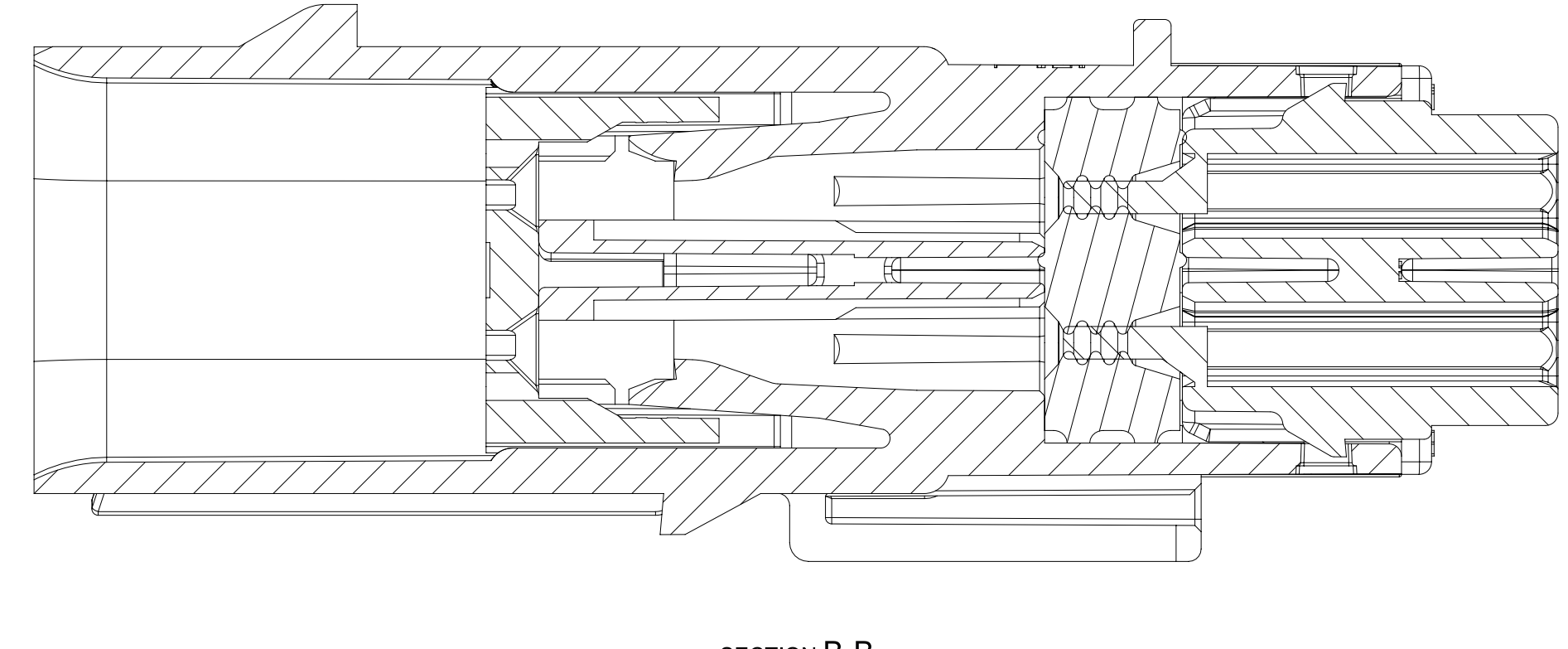
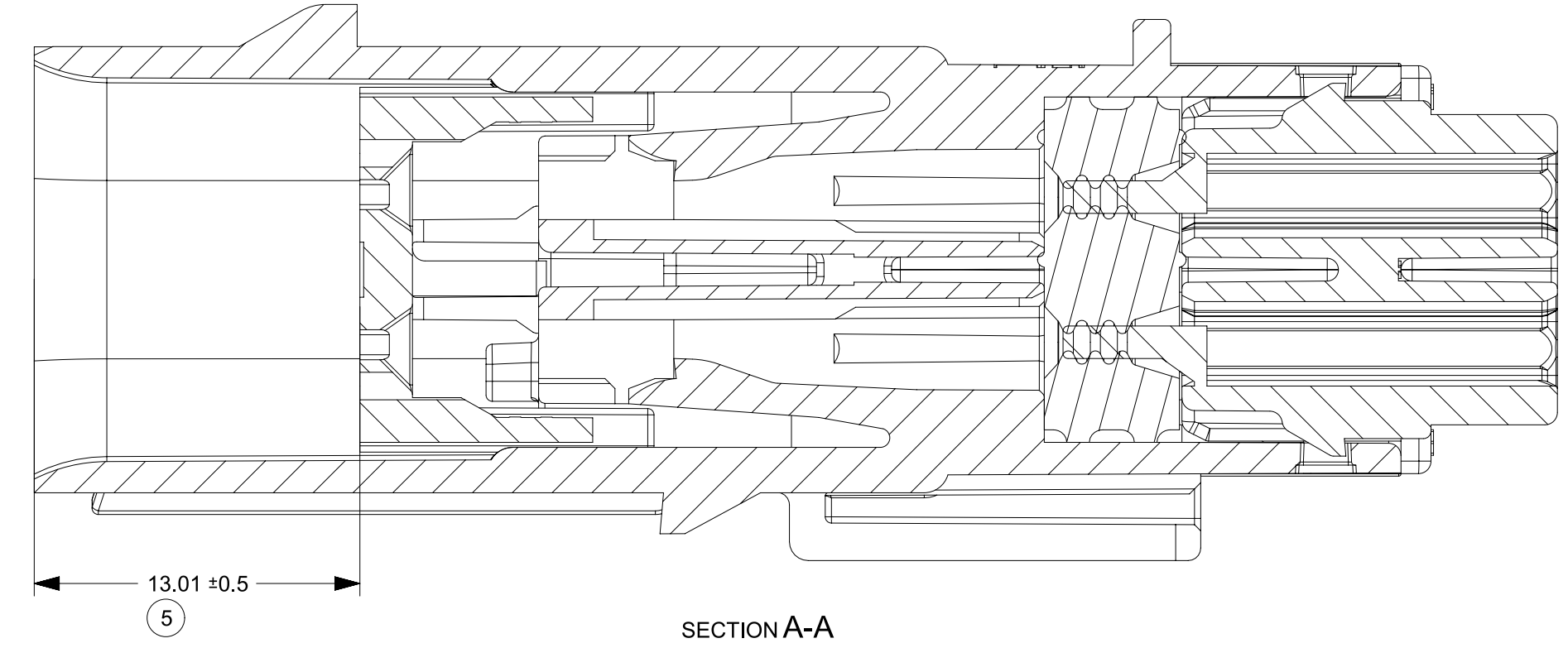
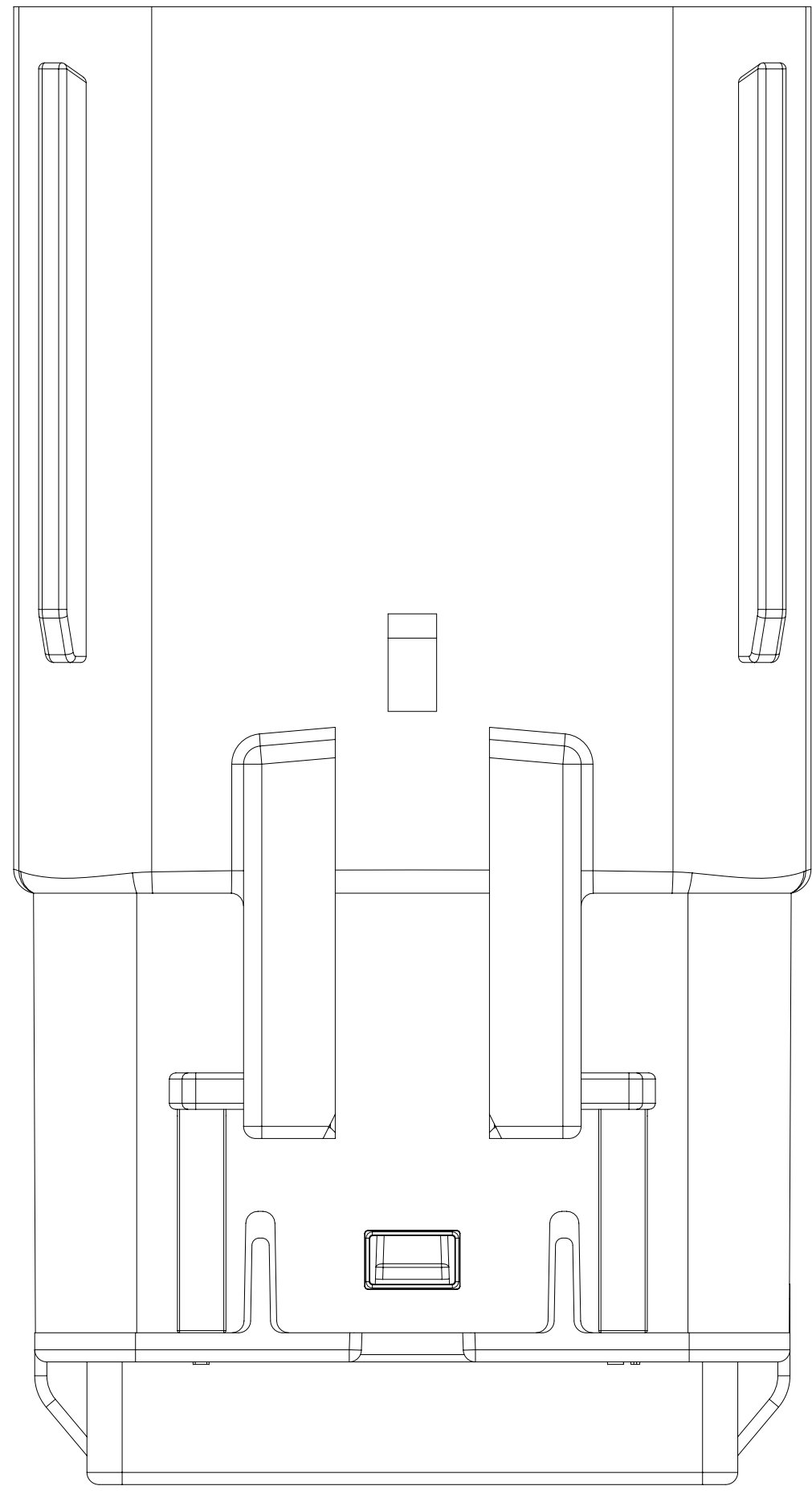
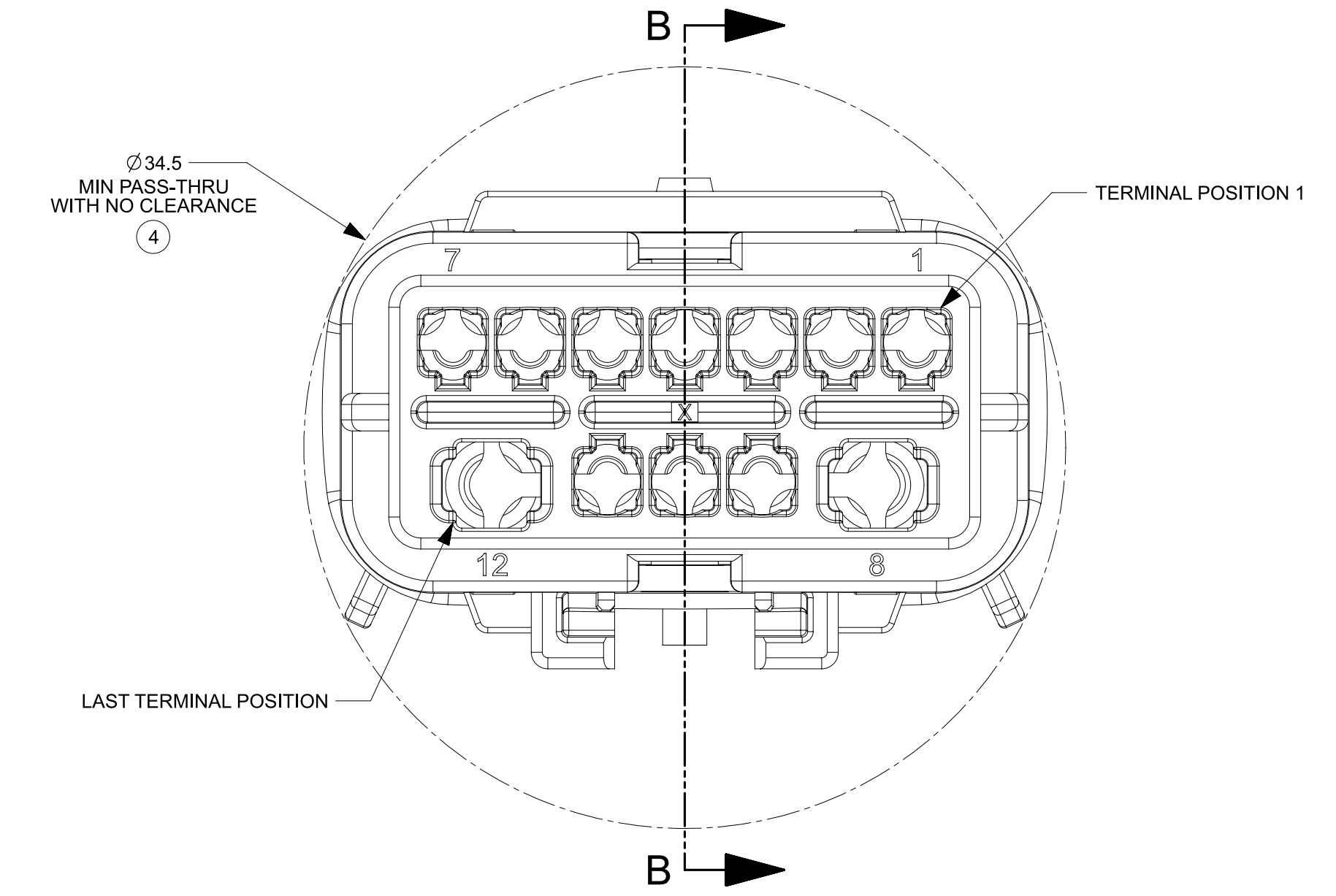
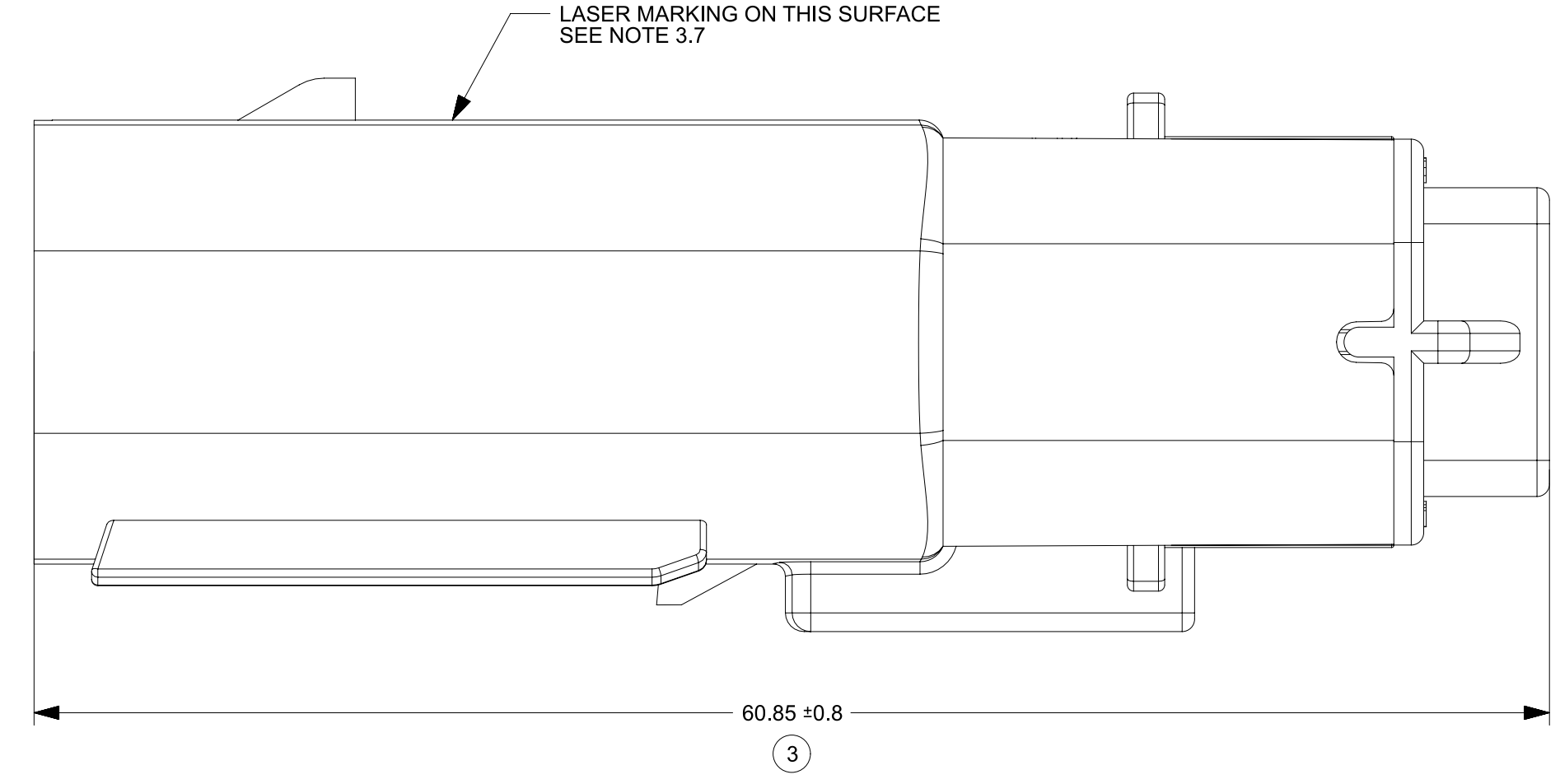
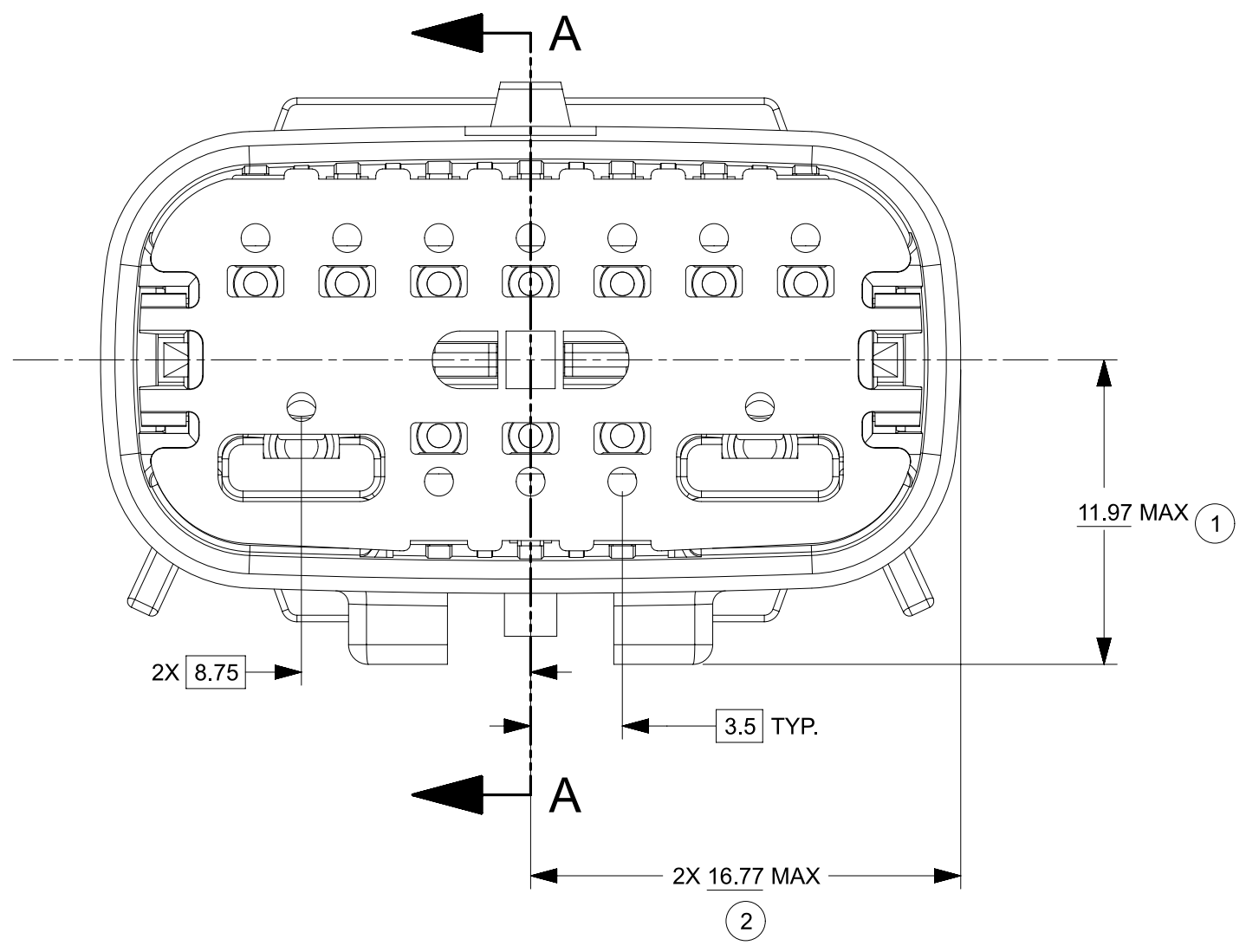
KEY C



KEY D

| | | | | | | | | |
|---------------------------------------|---|-------|--|--|--|----------|----------|--------------|
| FUNCTIONAL SYMBOLS | THIS DRAWING CONTAINS INFORMATION THAT IS PROPRIETARY TO MOLEX ELECTRONIC TECHNOLOGIES, LLC AND SHOULD NOT BE USED WITHOUT WRITTEN PERMISSION | | CURRENT REV DESC: SEE REVISION TABLE | | | | | |
| | DIMENSION UNITS | SCALE | | | | | | |
| $\nabla_A = 0$ | mm | 3:1 | PHASE: Design Production CO NO: CO-00000522 DRWN: Srikanth CV 2022-02-16 CHK'D: Chaitra D 2022-02-17 APPR: Gurunandan GA 2022-02-17 INITIAL REVISION: DRWN: Srikanth CV 2022-02-16 APPR: Gurunandan GA 2022-02-17 | | MX150 HYBRID MAT SEAL BLD CONN ASM SALES | | | |
| GENERAL TOLERANCES (UNLESS SPECIFIED) | | | | | PRODUCT SALES DRAWING | | | |
| ANGULAR TOL $\pm 0.5^\circ$ | | | | | DOCUMENT NUMBER | DOC TYPE | DOC PART | REVISION |
| 4 PLACES ± 0.0000 | | | | | 1601120000 | PSD | 000 | D7 |
| 3 PLACES ± 0.0000 | | | | | MATERIAL NUMBER | CUSTOMER | | SHEET NUMBER |
| 2 PLACES ± 0.0000 | | | | | D-SIZE | 160112 | CHARTED | 3 OF 6 |
| DIVISIONAL SYMBOLS | | | THIRD ANGLE PROJECTION | | | | | |
| $\nabla_C = 0$ | | | DRAFT WHERE APPLICABLE MUST REMAIN WITHIN DIMENSIONS | | | | | |
| $\nabla_D = 0$ | | | SEE NOTES | | | | | |
| 1 PLACE ± 0.00 | | | | | | | | |
| 0 PLACES ± 0.00 | | | | | | | | |

SHEET DESCRIPTION
BLADE CONNECTOR ASSEMBLY



| | | | | | |
|--|---------------------------------------|---|--------------------------|--------------------------------------|--------------|
| FUNCTIONAL SYMBOLS | | THIS DRAWING CONTAINS INFORMATION THAT IS PROPRIETARY TO MOLEX ELECTRONIC TECHNOLOGIES, LLC AND SHOULD NOT BE USED WITHOUT WRITTEN PERMISSION | | CURRENT REV DESC: SEE REVISION TABLE | |
| FA = 0 | mm | SCALE | 4:1 | | |
| FC = 0 | GENERAL TOLERANCES (UNLESS SPECIFIED) | | PHASE: Design Production | | |
| FD = 0 | ANGULAR TOL ± 0.5° | | CO NO: CO-00000522 | | |
| DIVISIONAL SYMBOLS | | 4 PLACES | ± 0.0000 | DRWN: Srikanth CV | 2022-02-16 |
| | | 3 PLACES | ± 0.0000 | CHK'D: Chaitra D | 2022-02-17 |
| | | 2 PLACES | ± 0.000 | APPR: Gurunandan GA | 2022-02-17 |
| | | 1 PLACE | ± 0.00 | INITIAL REVISION: | |
| | | 0 PLACES | ± 0.00 | DRWN: Srikanth CV | 2022-02-16 |
| | | | | APPR: Gurunandan GA | 2022-02-17 |
| DRAFT WHERE APPLICABLE MUST REMAIN WITHIN DIMENSIONS | | THIRD ANGLE PROJECTION | DRAWING | SERIES | |
| | | | D-SIZE | 160112 | |
| | | MATERIAL NUMBER | | CUSTOMER | SHEET NUMBER |
| | | 1601120000 | | CHARTED | 4 OF 6 |

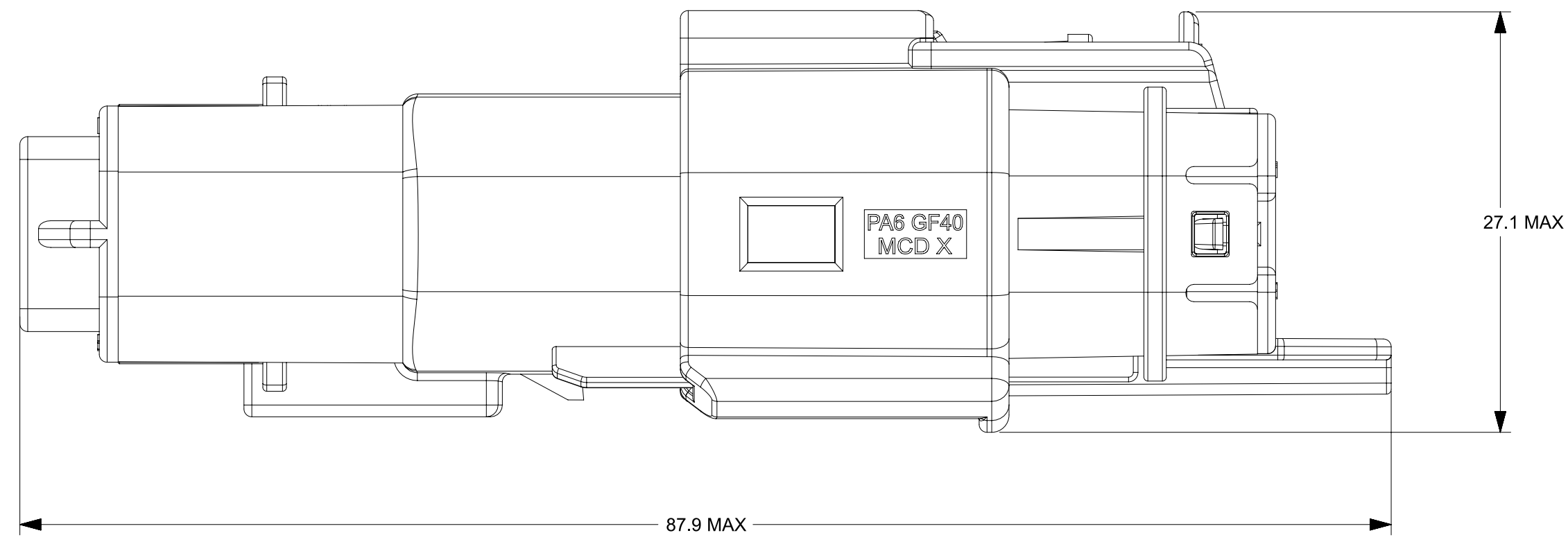
molex

MX150 HYBRID MAT SEAL BLD CONN ASM SALES

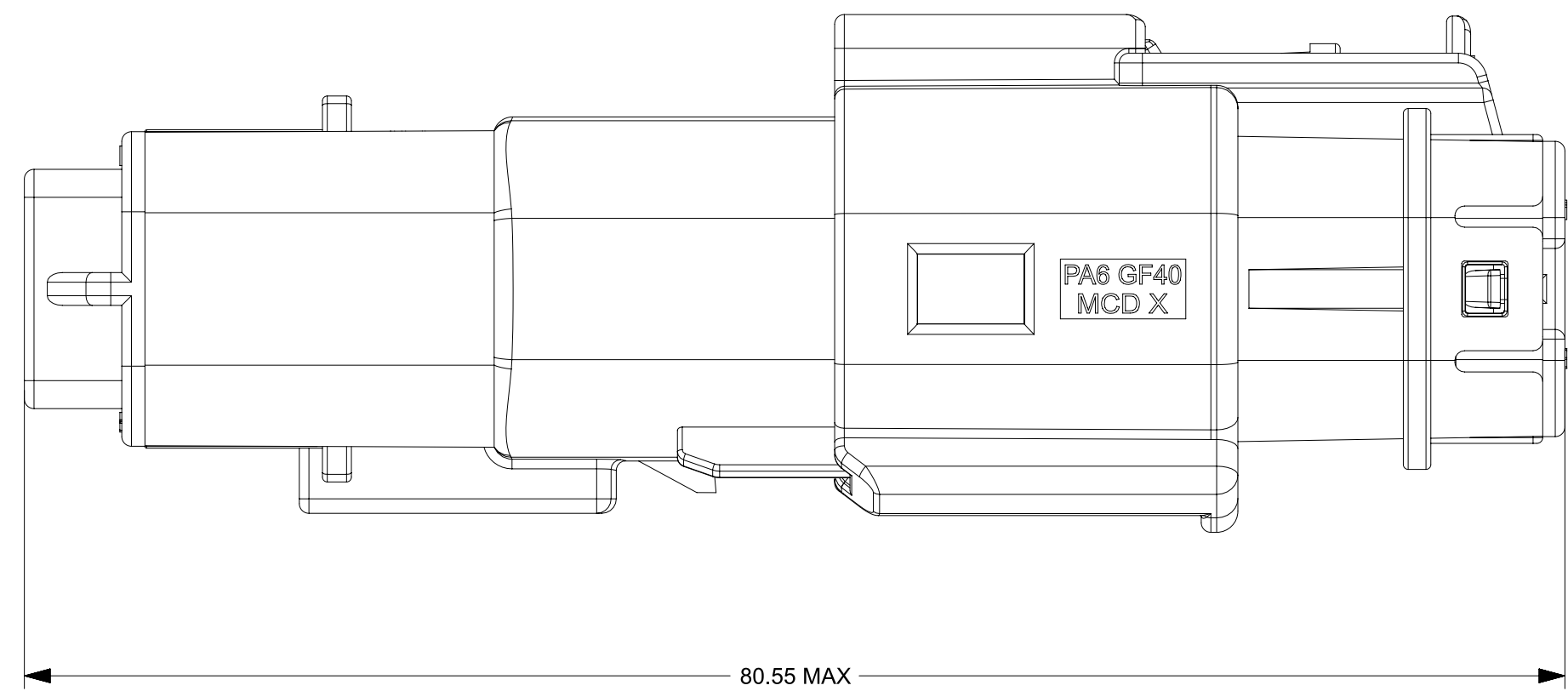
PRODUCT SALES DRAWING

| | | | |
|-----------------|----------|----------|----------|
| DOCUMENT NUMBER | DOC TYPE | DOC PART | REVISION |
| 1601120000 | PSD | 000 | D7 |

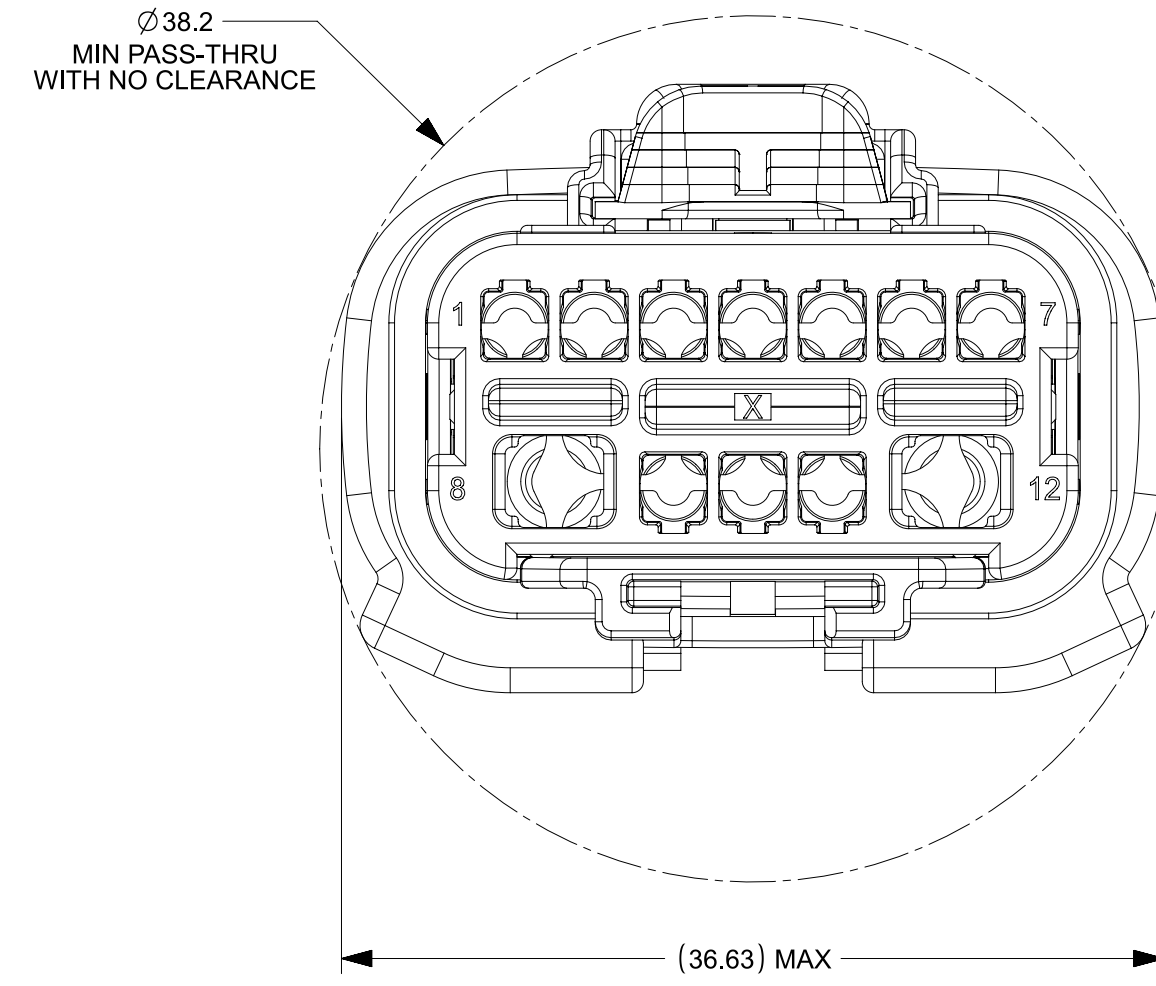
SHEET DESCRIPTION
SYSTEM PACKAGING



WITH EXTENDED CLIPSLOT RECEPTACLE HOUSING



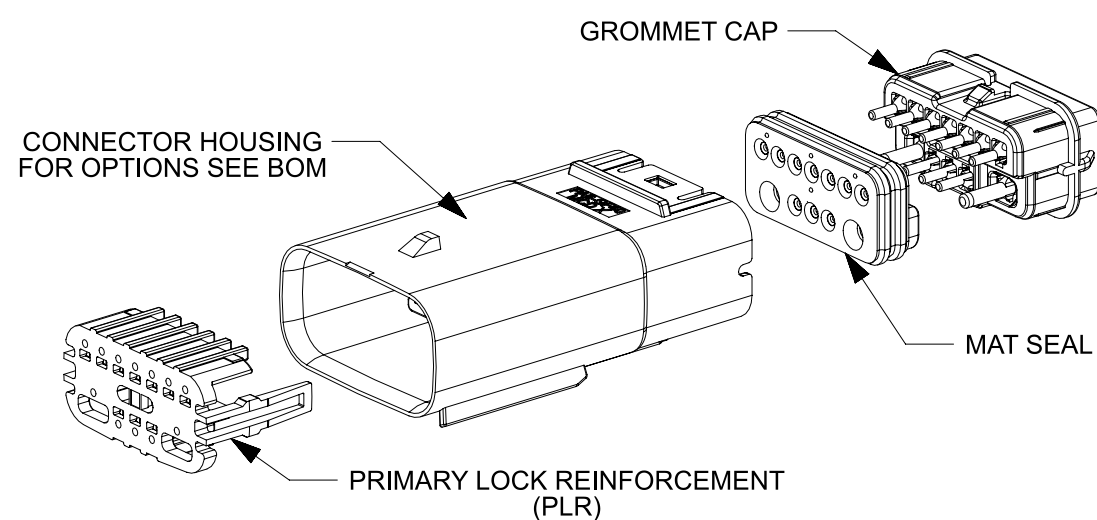
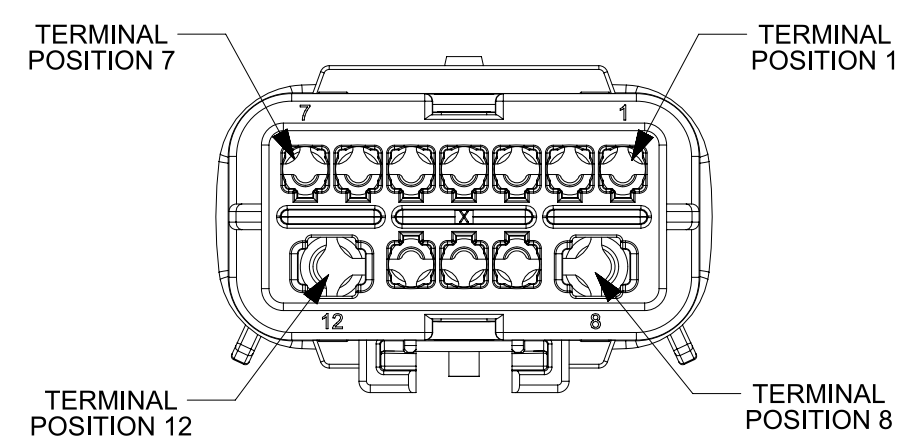
NON CLIPSLOT RECEPTACLE HOUSING



| | | | | | | | |
|--------------------|---|-------|---|---------|---|-----------------|----------|
| FUNCTIONAL SYMBOLS | THIS DRAWING CONTAINS INFORMATION THAT IS PROPRIETARY TO MOLEX ELECTRONIC TECHNOLOGIES, LLC AND SHOULD NOT BE USED WITHOUT WRITTEN PERMISSION | | CURRENT REV DESC: SEE REVISION TABLE | | | | |
| | DIMENSION UNITS | SCALE | | | | | |
| $\nabla_A = 0$ | mm | 3:1 | GENERAL TOLERANCES (UNLESS SPECIFIED) | | PHASE: Design Production CO NO: CO-00000522 DRWN: Srikanth CV 2022-02-16 CHK'D: Chaitra D 2022-02-17 APPR: Gurunandan GA 2022-02-17 | | |
| $\nabla_C = 0$ | ANGULAR TOL $\pm 0.5^\circ$ | | | | | | |
| $\nabla_D = 0$ | 4 PLACES ± 0.0000 | | INITIAL REVISION: DRWN: Srikanth CV 2022-02-16 APPR: Gurunandan GA 2022-02-17 | | | | |
| DIVISIONAL SYMBOLS | 3 PLACES ± 0.0000 | | | | | DOCUMENT NUMBER | DOC TYPE |
| | 2 PLACES ± 0.000 | | 1601120000 | PSD | 000 | D7 | |
| | 1 PLACE ± 0.00 | | MATERIAL NUMBER | | CUSTOMER | | |
| | 0 PLACES ± 0.00 | | 160112 | | CHARTED | | |
| | DRAFT WHERE APPLICABLE MUST REMAIN WITHIN DIMENSIONS | | THIRD ANGLE PROJECTION | DRAWING | SERIES | SHEET NUMBER | |
| | | | | D-SIZE | 160112 | 5 OF 6 | |

SHEET DESCRIPTION

12W HYBRID CONNECTOR BOM



| ABBREVIATION | DESCRIPTION | COLOR | MATERIAL |
|--------------|-------------------------|------------|--------------------------------|
| A-BLK | HOUSING KEYING OPTION A | BLACK | PA6 GF40 |
| B-LG | HOUSING KEYING OPTION B | LIGHT GRAY | PA6 GF40 |
| C-DG | HOUSING KEYING OPTION C | DARK GRAY | PA6 GF40 |
| D-SG | HOUSING KEYING OPTION D | STONE GRAY | PA6 GF40 |
| A-Y | HOUSING KEYING OPTION A | YELLOW | PA6 GF40 |
| GCP | GROMMET CAP (PLUGGED) | BLACK | PA6 GF40 |
| PLR | PLR | NATURAL | PA6 GF40 |
| M | MAT SEAL 2.8/1.5 | RUST RED | INHERENTLY LUBRICATED SILICONE |

| ASSEMBLY DESCRIPTION | ASSEMBLY PART NUMBER* | COMPONENT | | | | BLOCKED TERMINALS | | | | | | | | | | | | STATUS | COMMENTS | OPTIONAL ATTACHMENTS SOLD SEPERATELY | |
|----------------------|-----------------------|---|-------------|-----|----------|--|---|---|---|---|---|---|---|---|----|----|----|--------|------------|--------------------------------------|------------------------|
| | | THE PRESENCE OF AN ABBREVIATION INDICATES THE PRESENCE OF THAT COMPONENT. | | | | CAVITY WITH A NUMBER INDICATES BLOCKED TERMINAL POSITION CAVITY WITHOUT A NUMBER INDICATES OPEN TERMINAL POSITION | | | | | | | | | | | | | | BACKSHELL WITH RIBS | BACKSHELL WITHOUT RIBS |
| | | HOUSING KEY/COLOR | GROMMET CAP | PLR | MAT SEAL | 1 | 2 | 3 | 4 | 5 | 6 | 7 | 8 | 9 | 10 | 11 | 12 | | | | |
| KEY A, BLACK | 160112-6001 | A-BLK | GCP | PLR | M | | | | | | | | | | | | | | SALEABLE | | |
| KEY B, LIGHT GRAY | 160112-6002 | B-LG | GCP | PLR | M | | | | | | | | | | | | | | SALEABLE | | |
| KEY C, DARK GRAY | 160112-6003 | C-DG | GCP | PLR | M | | | | | | | | | | | | | | SALEABLE | | |
| KEY D, STONE GRAY | 160112-6004 | D-SG | GCP | PLR | M | | | | | | | | | | | | | | SALEABLE | | |
| KEY A, YELLOW | 160112-6005 | A-Y | GCP | PLR | M | | | | | | | | | | | | | | OK TO TOOL | | |
| KEY A, BLACK | 160112-6006 | A-BLK | GCP | PLR | M | | | 3 | 4 | 5 | 6 | 7 | | 9 | 10 | 11 | | | SALEABLE | | |
| KEY A, BLACK | 160112-6007 | A-BLK | GCP | PLR | M | 1 | | | 4 | 5 | 6 | 7 | 8 | | | | | | SALEABLE | | |
| KEY A, BLACK | 160112-6008 | A-BLK | GCP | PLR | M | 1 | 2 | 3 | 4 | 5 | | | | | 10 | | | | SALEABLE | | |
| KEY A, BLACK | 160112-6009 | A-BLK | GCP | PLR | M | 1 | | | 4 | 5 | | | | | | | | | SALEABLE | | |
| KEY A, BLACK | 160112-6010 | A-BLK | GCP | PLR | M | 1 | 2 | 3 | | | | | | | 10 | | | | SALEABLE | | |
| KEY A, BLACK | 160112-6011 | A-BLK | GCP | PLR | M | 1 | | | | | | | | | | | | | SALEABLE | | |
| KEY A, BLACK | 160112-6012 | A-BLK | GCP | PLR | M | | 2 | 3 | 4 | 5 | 6 | 7 | 8 | | 10 | | | | SALEABLE | | |
| KEY A, BLACK | 160112-6013 | A-BLK | GCP | PLR | M | | | | 4 | 5 | 6 | 7 | 8 | | | | | | SALEABLE | | |
| KEY A, BLACK | 160112-6014 | A-BLK | GCP | PLR | M | | 2 | 3 | 4 | 5 | | | | | 10 | | | | SALEABLE | | |
| KEY A, BLACK | 160112-6015 | A-BLK | GCP | PLR | M | | | | 4 | 5 | | | | | | | | | SALEABLE | | |
| KEY A, BLACK | 160112-6016 | A-BLK | GCP | PLR | M | | 2 | 3 | | | | | | | 10 | | | | SALEABLE | | |
| KEY A, BLACK | 160112-6017 | A-BLK | GCP | PLR | M | | | | | | | 7 | 8 | 9 | 10 | 11 | 12 | | SALEABLE | | |
| KEY A, BLACK | 160112-6018 | A-BLK | GCP | PLR | M | | | | | | | | 8 | | 10 | 11 | 12 | | SALEABLE | | |
| KEY A, BLACK | 160112-6019 | A-BLK | GCP | PLR | M | 1 | 2 | 3 | 4 | 5 | 6 | 7 | | 9 | | | 12 | | SALEABLE | | |
| KEY A, BLACK | 160112-6020 | A-BLK | GCP | PLR | M | | | | | | | 7 | | 9 | | | 12 | | SALEABLE | | |
| KEY A, BLACK | 160112-6021 | A-BLK | GCP | PLR | M | | | | | | | | | | | | 12 | | SALEABLE | | |
| KEY A, BLACK | 160112-6022 | A-BLK | GCP | PLR | M | 1 | 2 | 3 | 4 | 5 | 6 | 7 | 8 | | 10 | | | | SALEABLE | | |
| KEY A, BLACK | 160112-6023 | A-BLK | GCP | PLR | M | | | 3 | | | | | | 9 | 10 | 11 | | | SALEABLE | | |
| KEY A, BLACK | 160112-6024 | A-BLK | GCP | PLR | M | | | | | | | 7 | | 9 | 10 | | | | SALEABLE | | |
| KEY A, BLACK | 160112-6025 | A-BLK | GCP | PLR | M | | | | 4 | 5 | 6 | 7 | | 9 | 10 | | | | SALEABLE | | |
| KEY A, BLACK | 160112-6026 | A-BLK | GCP | PLR | M | | | 3 | 4 | 5 | 6 | 7 | | 9 | 10 | 11 | | | SALEABLE | | |
| KEY A, BLACK | 160112-6027 | A-BLK | GCP | PLR | M | 1 | 2 | 3 | | | | 7 | 8 | 9 | 10 | 11 | 12 | | SALEABLE | | |
| KEY A, BLACK | 160112-6028 | A-BLK | GCP | PLR | M | 1 | 2 | | | | | 7 | 8 | 9 | 10 | | 12 | | SALEABLE | | |
| KEY A, BLACK | 160112-6029 | A-BLK | GCP | PLR | M | 1 | 2 | | 4 | 5 | 6 | 7 | 8 | 9 | 10 | | 12 | | SALEABLE | | |
| KEY A, BLACK | 160112-6030 | A-BLK | GCP | PLR | M | 1 | 2 | 3 | | | | 7 | | | | | | | SALEABLE | | |
| KEY A, BLACK | 160112-6031 | A-BLK | GCP | PLR | M | 1 | | 3 | | | | 7 | | | | 11 | | | SALEABLE | | |
| KEY A, BLACK | 160112-6032 | A-BLK | GCP | PLR | M | 1 | | 3 | | | | 7 | | | | | | | SALEABLE | | |
| KEY A, BLACK | 160112-6033 | A-BLK | GCP | PLR | M | 1 | | | 4 | 5 | | | | | | | | | SALEABLE | | |
| KEY A, BLACK | 160112-6034 | A-BLK | GCP | PLR | M | | 2 | | 4 | 5 | 6 | | | | | | | | SALEABLE | | |
| KEY A, BLACK | 160112-6035 | A-BLK | GCP | PLR | M | 1 | 2 | 3 | 4 | 5 | 6 | 7 | | | | | | | SALEABLE | | |
| KEY A, BLACK | 160112-6036 | A-BLK | GCP | PLR | M | 1 | 2 | 3 | 4 | 5 | 6 | 7 | | | | 11 | | | SALEABLE | | |
| KEY A, BLACK | 160112-6037 | A-BLK | GCP | PLR | M | | | | 4 | 5 | 6 | | | | | | 11 | | SALEABLE | | |
| KEY A, BLACK | 160112-6038 | A-BLK | GCP | PLR | M | | | | 4 | 5 | 6 | | | | | | | | SALEABLE | | |
| KEY A, BLACK | 160112-6039 | A-BLK | GCP | PLR | M | 1 | 2 | 3 | | | | 7 | | | | 11 | | | SALEABLE | | |
| KEY A, BLACK | 160112-6040 | A-BLK | GCP | PLR | M | 1 | | 3 | 4 | 5 | 6 | 7 | | | | | | | SALEABLE | | |
| KEY A, BLACK | 160112-6041 | A-BLK | GCP | PLR | M | | | | | | | 7 | | | | | 12 | | SALEABLE | | |
| KEY A, BLACK | 160112-6042 | A-BLK | GCP | PLR | M | | | | | | | | | 9 | 10 | | | | SALEABLE | | |
| KEY A, BLACK | 160112-6043 | A-BLK | GCP | PLR | M | | | | | | | | | 8 | | | | | SALEABLE | | |
| KEY A, BLACK | 160112-6044 | A-BLK | GCP | PLR | M | | | | | | | | | 8 | | | | | SALEABLE | | |
| KEY B, LIGHT GRAY | 160112-6045 | B-LG | GCP | PLR | M | | | | 4 | 5 | | | | | | | | | SALEABLE | | |
| KEY A, BLACK | 160112-6046 | A-BLK | GCP | PLR | M | | 2 | | | | | 7 | | | 10 | | 12 | | SALEABLE | | |
| KEY A, BLACK | 160112-6047 | A-BLK | GCP | PLR | M | | | 3 | 4 | 5 | 6 | | | | | 11 | | | SALEABLE | | |

| | | | | | |
|---|---|---|---|---|-----------------------------------|
| FUNCTIONAL SYMBOLS FA = 0 FE = 0 FP = 0 | THIS DRAWING CONTAINS INFORMATION THAT IS PROPRIETARY TO MOLEX ELECTRONIC TECHNOLOGIES, LLC AND SHOULD NOT BE USED WITHOUT WRITTEN PERMISSION | | CURRENT REV DESC: SEE REVISION TABLE | | |
| | DIMENSION UNITS: mm SCALE: 1:1 | GENERAL TOLERANCES (UNLESS SPECIFIED) ANGULAR TOL ± 0.5° | | PHASE: Design Production CO NO: CO-00000522 | |
| DIVISIONAL SYMBOLS SEE NOTES | 4 PLACES ± 0.0000 | DRWN: Srikanth CV 2022-02-16 CHK'D: Chaitra D 2022-02-17 APPR: Gurunandan GA 2022-02-17 | | INITIAL REVISION: DRWN: Srikanth CV 2022-02-16 APPR: Gurunandan GA 2022-02-17 | |
| | 3 PLACES ± 0.0000 2 PLACES 0.000 1 PLACE ± 0.00 0 PLACES ± 0.00 | DRAFT WHERE APPLICABLE MUST REMAIN WITHIN DIMENSIONS | | THIRD ANGLE PROJECTION | DRAWING: D-SIZE SERIES: 160112 |
| PRODUCT SALES DRAWING | | | DOCUMENT NUMBER: 1601120000 DOC TYPE: PSD DOC PART: 000 REVISION: D7 | SHEET NUMBER: 6 OF 6 | |