

Flush-type socket - VS-08-DSIV-L180-HYB SCO - 1456666

Please be informed that the data shown in this PDF Document is generated from our Online Catalog. Please find the complete data in the user's documentation. Our General Terms of Use for Downloads are valid (<http://phoenixcontact.com/download>)




Hybrid flush-type socket, Ethernet, 8-pos., M12 SPEEDCON, rear/screw mounting with M12 thread, with straight solder connection

M12 panel feed-through, rear mounting



Key Commercial Data

Packing unit	20 pc
Minimum order quantity	20 pc
GTIN	 4 046356 620307
GTIN	4046356620307

Technical data

Dimensions

Length of the solder pin	2.3 mm
--------------------------	--------

Ambient conditions

Ambient temperature (operation)	-40 °C ... 85 °C
Degree of protection	IP67, when plugged in

General

Note	The electrical and mechanical data specified assume that the connector pair is correctly locked and mounted. If the connector is unlocked and if there is a danger of contamination, the connector must be sealed using a protective cap > IP54. Influences arising from litz wires, cables or PCB assembly must also be taken into consideration.
Rated current at 40°C	0.5 A (Data) 6 A (Power)
Rated voltage	60 V (Data) 60 V (Power)
Rated surge voltage	0.8 kV
Number of positions	8

Flush-type socket - VS-08-DSIV-L180-HYB SCO - 1456666

Technical data

General

Insulation resistance	> 100 MΩ
Coding	Y - hybrid
Signal type/category	Ethernet CAT5 (IEC 11801:2002)
Degree of pollution	3
Connection method	Solder pins
Insertion/withdrawal cycles	≥ 100
Torque	1.5 Nm ... 2 Nm (Housing, installation side)
Mounting type	PCB mounting M12 x 1

Material

Flammability rating according to UL 94	V0
Contact material	CuZn
Contact surface material	Au
Contact carrier material	PPA
Material, knurls	Zinc die-cast, nickel-plated
Sealing material	EPDM

Standards and Regulations

Flammability rating according to UL 94	V0
--	----

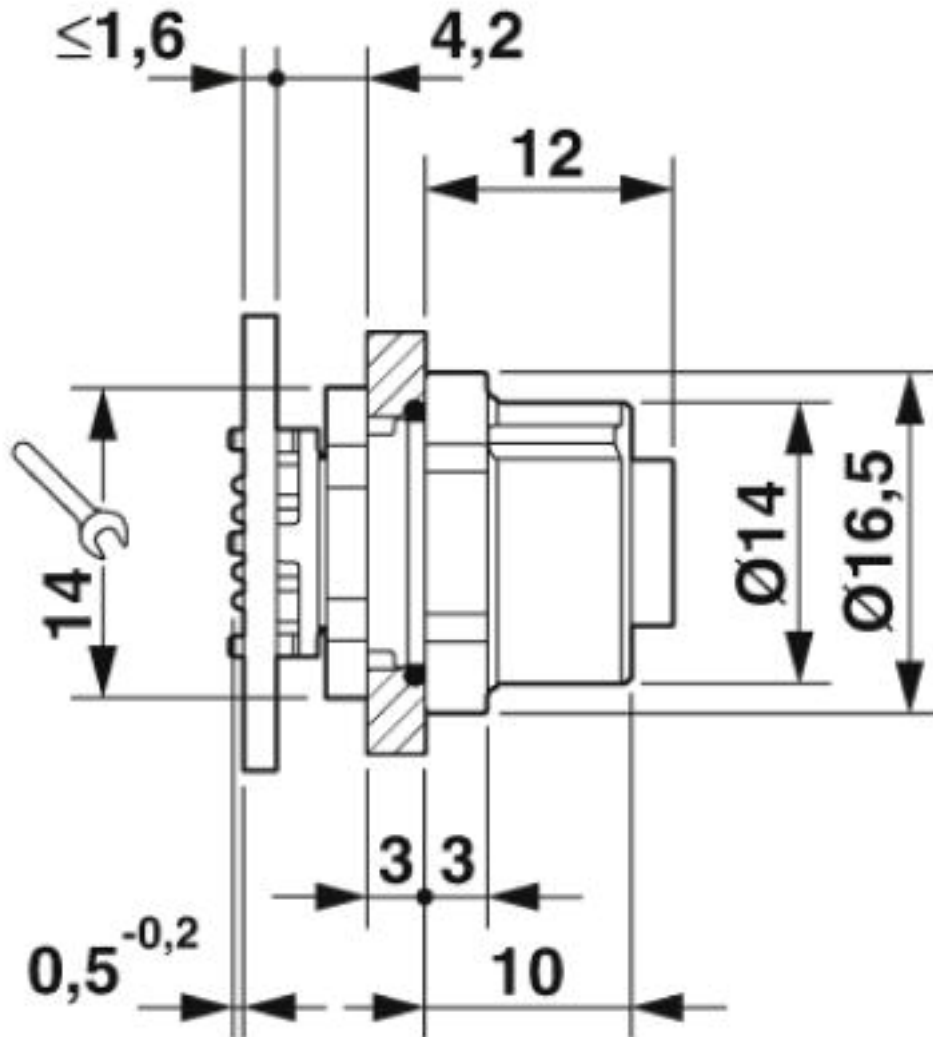
Environmental Product Compliance

REACH SVHC	Lead 7439-92-1
China RoHS	Environmentally Friendly Use Period = 50
	For details about hazardous substances go to tab "Downloads", Category "Manufacturer's declaration"

Drawings

Flush-type socket - VS-08-DSIV-L180-HYB SCO - 1456666

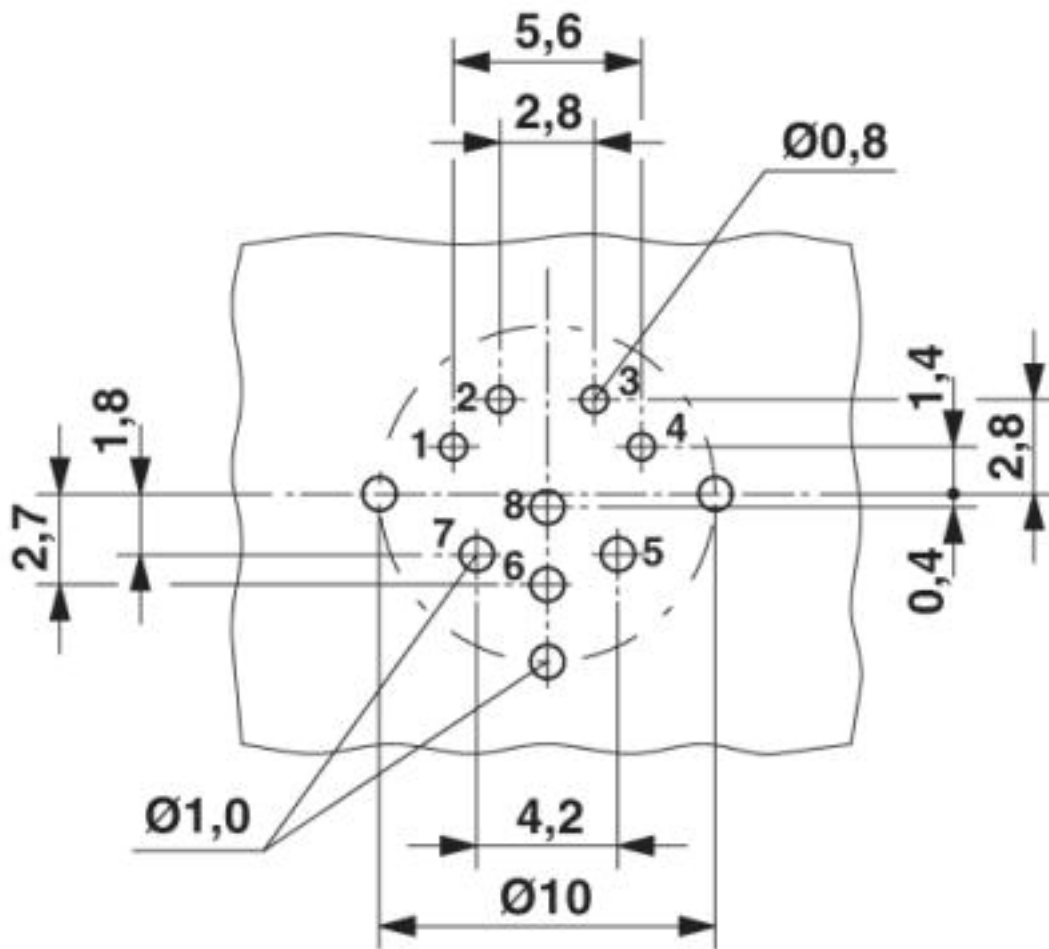
Dimensional drawing



M12 flush-type connector

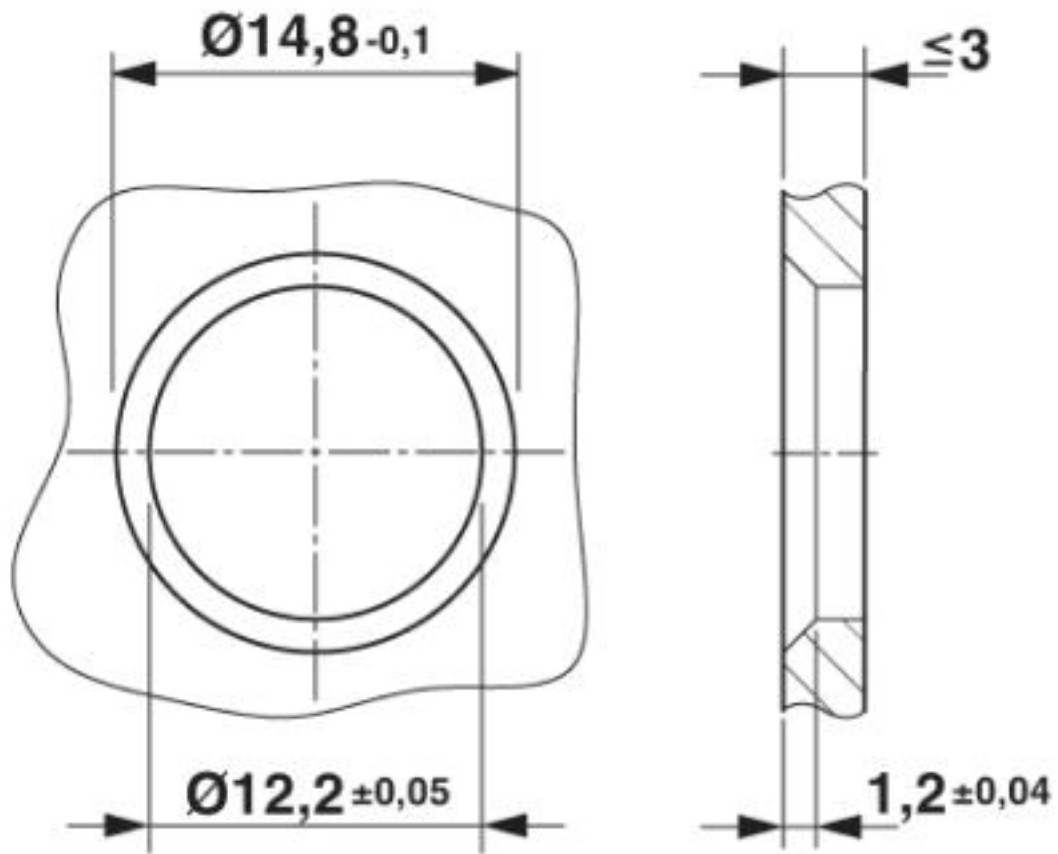
Flush-type socket - VS-08-DSIV-L180-HYB SCO - 1456666

Drilling diagram



Flush-type socket - VS-08-DSIV-L180-HYB SCO - 1456666

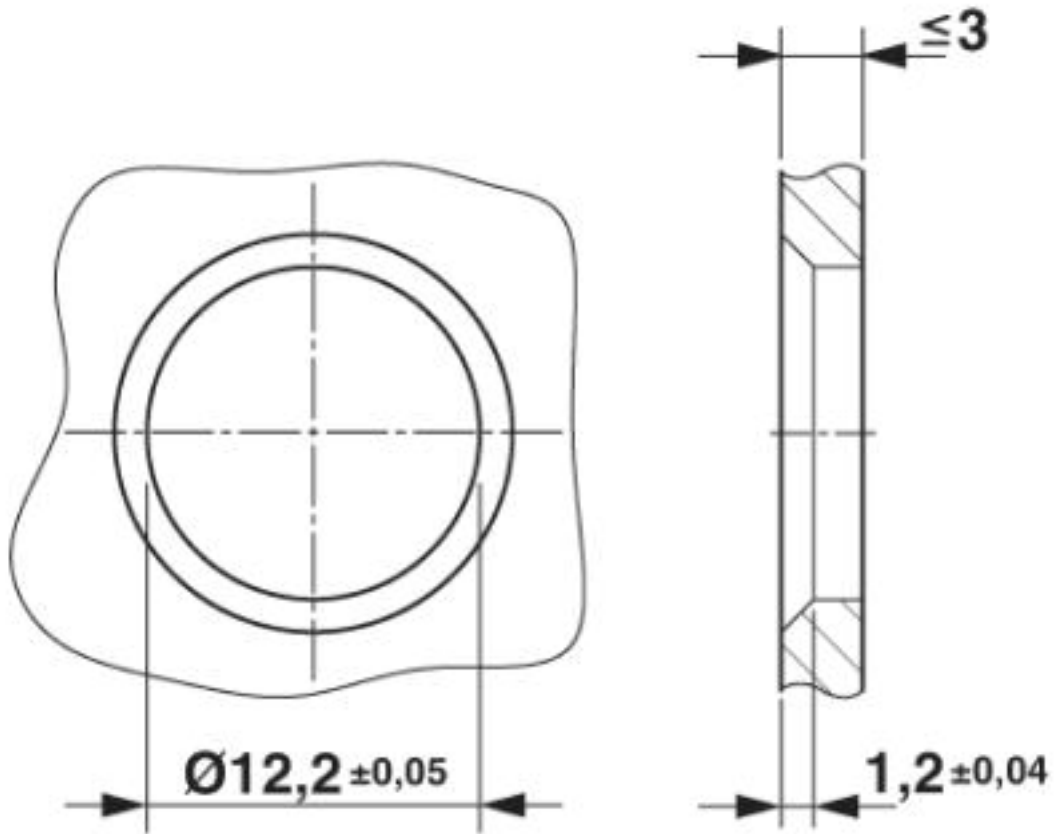
Dimensional drawing



Housing cut-out for two-part M12 flush-type connectors with THR and wave soldering connection, version 1

Flush-type socket - VS-08-DSIV-L180-HYB SCO - 1456666

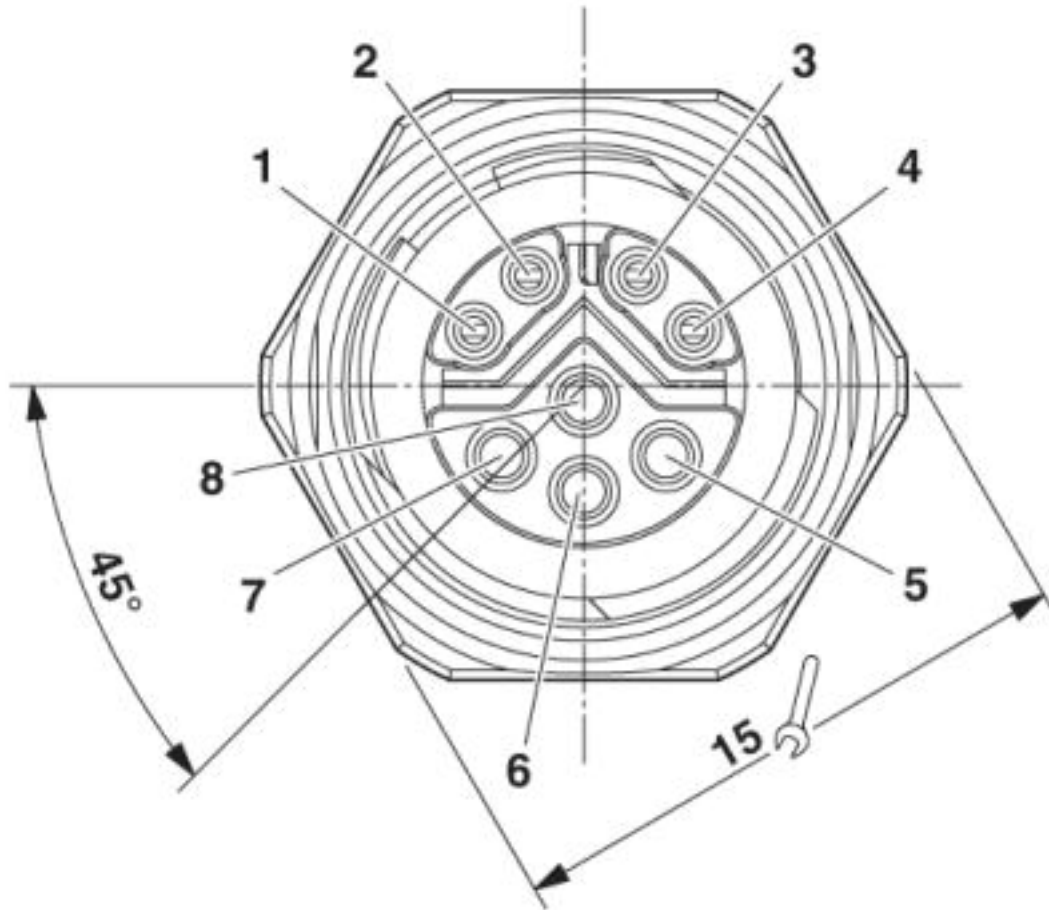
Dimensional drawing



Housing cut-out for two-part M12 flush-type connectors with THR and wave soldering connection, version 2

Flush-type socket - VS-08-DSIV-L180-HYB SCO - 1456666

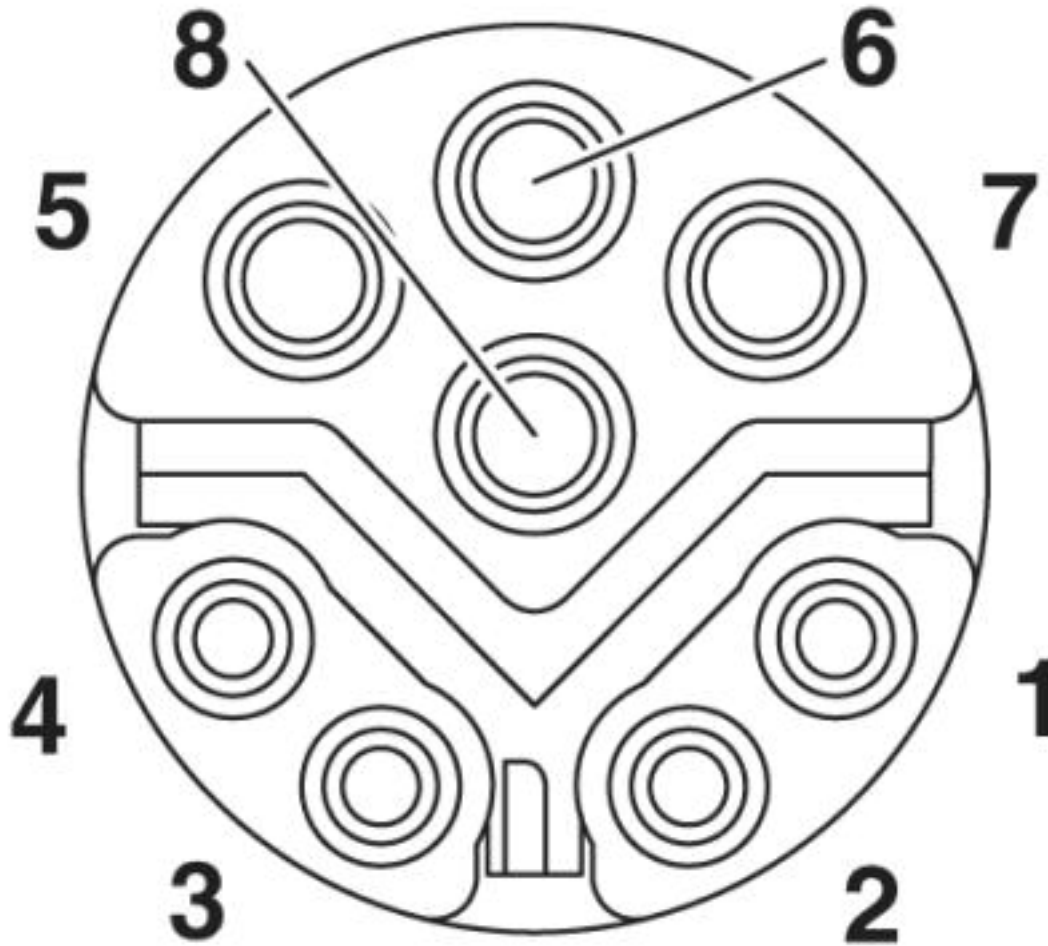
Dimensional drawing



M12 front view

Flush-type socket - VS-08-DSIV-L180-HYB SCO - 1456666

Schematic diagram



Pin assignment M12 socket, 8-pos.

Approvals

Approvals

Approvals

UL Recognized / cUL Recognized / EAC / cULus Recognized

Ex Approvals

Approval details

Flush-type socket - VS-08-DSIV-L180-HYB SCO - 1456666

Approvals

UL Recognized		http://database.ul.com/cgi-bin/XYV/template/LISEXT/1FRAME/index.htm	FILE E 335024
Nominal voltage UN		56.5 V	
Nominal current IN		0.175 A	

cUL Recognized		http://database.ul.com/cgi-bin/XYV/template/LISEXT/1FRAME/index.htm	FILE E 335024
Nominal voltage UN		56.5 V	
Nominal current IN		0.175 A	

EAC		B.01742
-----	--	---------

cULus Recognized	
------------------	--

Phoenix Contact 2019 © - all rights reserved
<http://www.phoenixcontact.com>

PHOENIX CONTACT GmbH & Co. KG
Flachsmarktstr. 8
32825 Blomberg
Germany
Tel. +49 5235 300
Fax +49 5235 3 41200
<http://www.phoenixcontact.com>