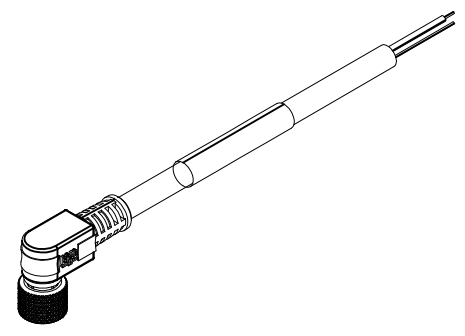
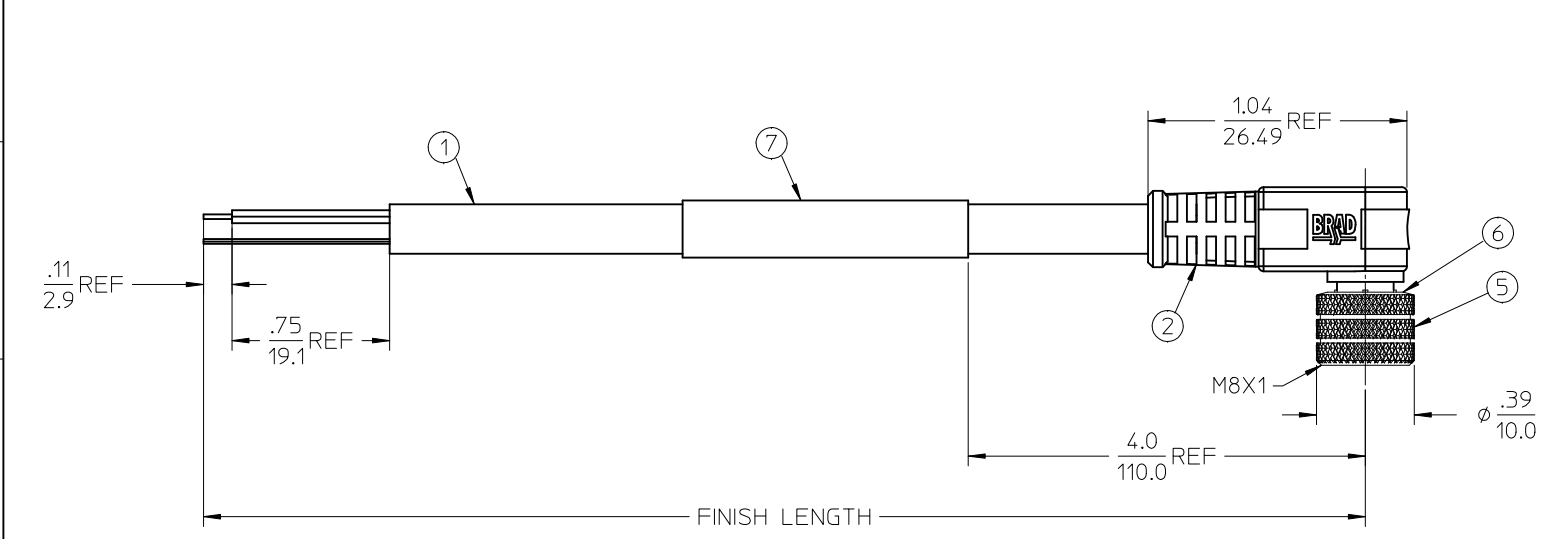
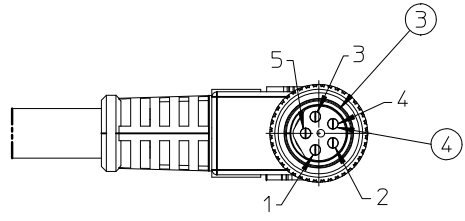


10	9	8	7
MATERIAL	ENG-NUMBER	LENGTH	LENGTH TOL.
1300290002	405001D12M010	1M (3'-4")	+58.7MM -0(+2.31" -0")



NOTES:

- 1.) MATERIAL: SEE TABLE
- 2.) FINISHES: SEE TABLE
- 3.) ELECTRICAL: 60VAC 75VDC, 1.68 AMPS
- 4.) CABLE:
TWO SHIELDED PAIRS
26AWG/ 4C 300VDC
-20 TO +70°C @ 1.68 AMPS
- 5.) IP67
- 6.) ASSEMBLY IS RoHS COMPLIANT



WIRING CONNECTION

DRAIN	BARE	1
V+	RED	2
CAN_H	WHITE	3
V-	BLACK	4
CAN_L	BLUE	5

Partial1
Scale 2:1

ITEM	QTY	DESCRIPTION	MATERIAL	FINISH
7	1	MFG LABEL	PLASTIC FILM	BLACK/YELLOW
6	1	O-RING	VITON	RED
5	1	FEMALE COUPLING NUT	BRASS	NICKEL PLATED
4	5	FEMALE CONTACT	Cu ALLOY	GOLD PLATED
3	1	NC 5 POLE FEM. INSERT	PUR	BLACK
2	1	OVERMOLD BODY	TPE	GRAY
1	1	CABLE, 4P, 26 AWG	PVC JACKET	GRAY

CREATE DOC.
EC NO: WNA2010-0452
DRAWN: BRUPERT 2010/01/25
CHKD: B. WOODMAN 2010/01/29
APPR: J. MURPHY 2010/01/29

QUALITY SYMBOLS
▽=0
▽=0

GENERAL TOLERANCES (UNLESS SPECIFIED)

	mm	INCH
4 PLACES	± .005	± .0004
3 PLACES	± .003	± .0002
2 PLACES	± .002	± .0001
1 PLACE	± .001	± .00005

ANGULAR ±1/2°

DRAFT WHERE APPLICABLE
MUST REMAIN
WITHIN DIMENSIONS

DIMENSION STYLE
IN/MM

SCALE
2:1

DESIGN UNITS
INCH

THIRD ANGLE PROJECTION

TITLE
NC 5P 90D FEMALE DEVICENET

MOLEX INCORPORATED

DOCUMENT NO.
SD-130029-002

SHEET NO.
1 OF 1

MATERIAL NO.
SEE CHART

SIZE
B

THIS DRAWING CONTAINS INFORMATION THAT IS PROPRIETARY TO MOLEX INCORPORATED AND SHOULD NOT BE USED WITHOUT WRITTEN PERMISSION