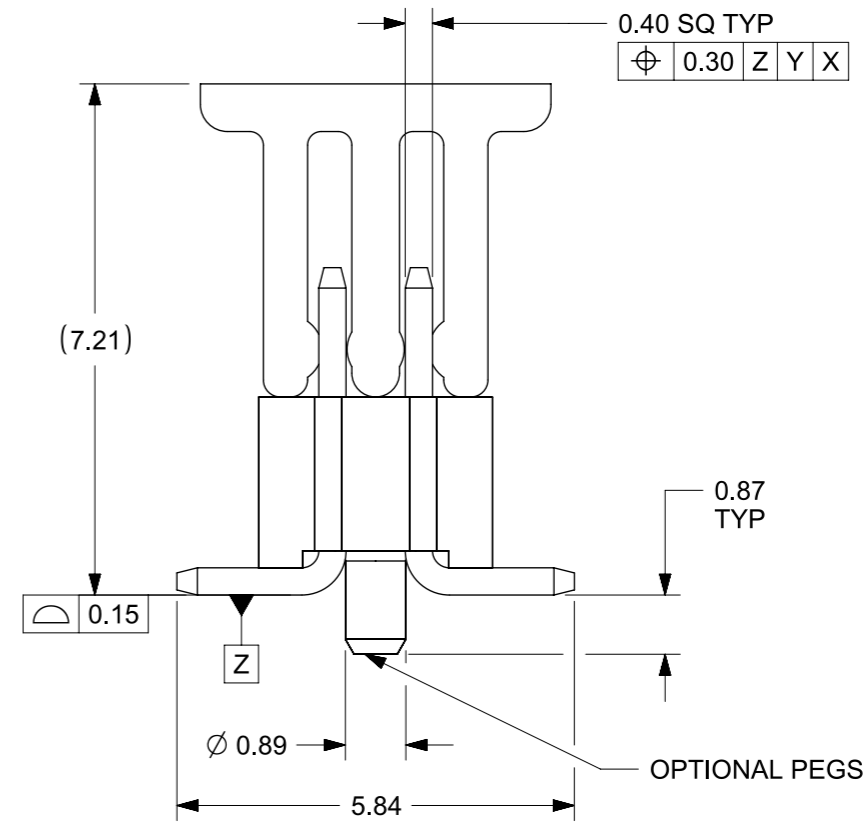
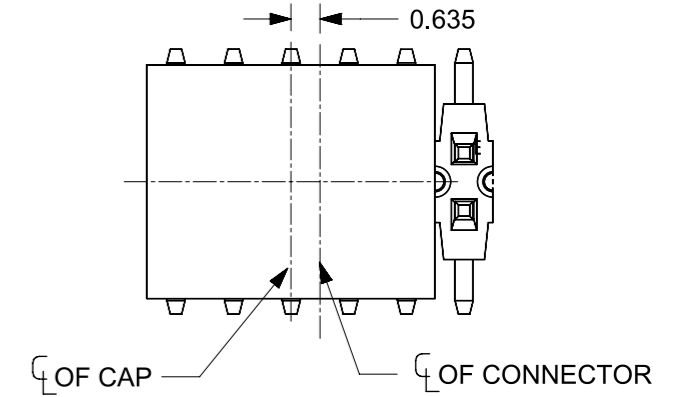


6 CAP POSITION WITH RESPECT TO CONNECTOR

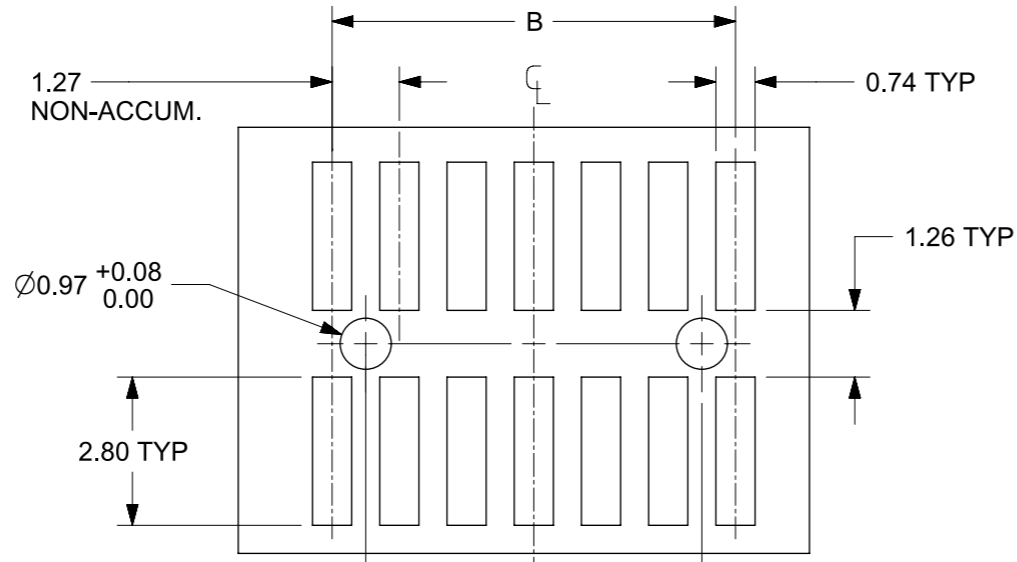
FOR CKT 10 & BELOW & CKT 14, 18, 22, 26, 30,
34, 38, 42, 46, 50, 54, 58, 62, 66, 70, 74, 78, 82,
86, 90, 94, 98

FOR 12, 16, 20, 24, 28, 32, 36, 40, 44, 48, 52,
56, 60, 64, 68, 72, 76, 80, 84, 86, 92, 96, 100



| | | | | | | | | | | | | | | | | | | | | | | | | | | |
|---|----------|-------------|----------|---|--|----------|--|--|--|--------------|--|--|--|--|--|--------------------------|--|--|-----------------|----------|----------|----------|---------------|-----|-----|----|
| THIS DRAWING CONTAINS INFORMATION THAT IS PROPRIETARY TO MOLEX ELECTRONIC TECHNOLOGIES, LLC AND SHOULD NOT BE USED WITHOUT WRITTEN PERMISSION | | | | | | | | | | | | | | | | | | | | | | | | | | |
| DIMENSION UNITS | | SCALE | | CURRENT REV DESC: | | | | | | | | | | | | | | | | | | | | | | |
| mm | | NTS | | <table border="1"> <tr> <td colspan="3" style="text-align: center;">molex</td> </tr> <tr> <td colspan="3" style="text-align: center;">1.27MM PITCH SMT HEADER WITH CAP PACKED IN TUBE</td> </tr> <tr> <td colspan="3" style="text-align: center;">PRODUCT CUSTOMER DRAWING</td> </tr> <tr> <td>DOCUMENT NUMBER</td> <td>DOC TYPE</td> <td>DOC PART</td> <td>REVISION</td> </tr> <tr> <td style="text-align: center;">SD-87933-0001</td> <td style="text-align: center;">PSD</td> <td style="text-align: center;">000</td> <td style="text-align: center;">C5</td> </tr> </table> | | | | | | molex | | | 1.27MM PITCH SMT HEADER WITH CAP PACKED IN TUBE | | | PRODUCT CUSTOMER DRAWING | | | DOCUMENT NUMBER | DOC TYPE | DOC PART | REVISION | SD-87933-0001 | PSD | 000 | C5 |
| molex | | | | | | | | | | | | | | | | | | | | | | | | | | |
| 1.27MM PITCH SMT HEADER WITH CAP PACKED IN TUBE | | | | | | | | | | | | | | | | | | | | | | | | | | |
| PRODUCT CUSTOMER DRAWING | | | | | | | | | | | | | | | | | | | | | | | | | | |
| DOCUMENT NUMBER | DOC TYPE | DOC PART | REVISION | | | | | | | | | | | | | | | | | | | | | | | |
| SD-87933-0001 | PSD | 000 | C5 | | | | | | | | | | | | | | | | | | | | | | | |
| GENERAL TOLERANCES (UNLESS SPECIFIED) | | ANGULAR TOL | | 4 PLACES | | 3 PLACES | | 2 PLACES | | | | | | | | | | | | | | | | | | |
| ± | | 3.0° | | ± | | ± | | ± | | | | | | | | | | | | | | | | | | |
| 3 PLACES | | 2 PLACES | | 1 PLACE | | 0 PLACES | | DRAFT WHERE APPLICABLE MUST REMAIN WITHIN DIMENSIONS | | | | | | | | | | | | | | | | | | |
| ± | | ± | | ± | | ± | | THIRD ANGLE PROJECTION | | | | | | | | | | | | | | | | | | |
| ± | | ± | | ± | | ± | | DRAWING | | | | | | | | | | | | | | | | | | |
| ± | | ± | | ± | | ± | | SERIES | | | | | | | | | | | | | | | | | | |
| ± | | ± | | ± | | ± | | MATERIAL NUMBER | | | | | | | | | | | | | | | | | | |
| ± | | ± | | ± | | ± | | CUSTOMER | | | | | | | | | | | | | | | | | | |
| ± | | ± | | ± | | ± | | SHEET NUMBER | | | | | | | | | | | | | | | | | | |
| ± | | ± | | ± | | ± | | A3-SIZE | | | | | | | | | | | | | | | | | | |
| ± | | ± | | ± | | ± | | 87933 | | | | | | | | | | | | | | | | | | |
| ± | | ± | | ± | | ± | | SEE TABLE | | | | | | | | | | | | | | | | | | |
| ± | | ± | | ± | | ± | | GENERAL MARKET | | | | | | | | | | | | | | | | | | |
| ± | | ± | | ± | | ± | | 1 OF 6 | | | | | | | | | | | | | | | | | | |

| CKT SIZE | DIM A | DIM B | DIM C |
|----------|-------|-------|-------|
| 4 | 2.54 | 1.27 | - |
| 6 | 3.81 | 2.54 | - |
| 8 | 5.08 | 3.81 | - |
| 10 | 6.35 | 5.08 | 3.81 |
| 12 | 7.62 | 6.35 | - |
| 14 | 8.89 | 7.62 | - |
| 16 | 10.16 | 8.89 | - |
| 18 | 11.43 | 10.16 | - |
| 20 | 12.70 | 11.43 | 10.16 |
| 22 | 13.97 | 12.70 | - |
| 24 | 15.24 | 13.97 | - |



RECOMMENDED PCB LAYOUT
(PARTS WITH PEGS)
MANUFACTURING TOLERANCE ±0.05



RECOMMENDED PCB LAYOUT
(IMPROVED FOR WITHOUT PEGS OPTION)
MANUFACTURING TOLERANCE ±0.05



PART WITH PEG & CAP
PACKED IN TUBE




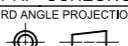
PART WITHOUT PEG &
WITH CAP PACKED IN TUBE

NOTE:

- MATERIAL: HOUSING: LCP GLASS FILLED, COLOR: BLACK
TERMINAL: COPPER ALLOY
- PIN PUSHOUT FORCE: 0.4KG MIN. IN EITHER DIRECTION.
- PLATING FINISH:
 - 2 MICRO INCH MIN. GOLD FLASH OVERALL, 50 MICRO INCH MIN. NICKEL UNDERPLATED
 - 100 MICRO INCH MIN. TIN OVERALL, 50 MICRO INCH MIN. NICKEL UNDERPLATED
 - 30 MICRO INCH MIN. GOLD PLATE IN SELECTED AREA AND 80 MICRO INCH MIN. TIN IN SELECTED AREA OVER, 50 MICRO INCH MIN. NICKEL UNDERPLATED
 - 15 MICRO INCH MIN. GOLD PLATE IN SELECTED AREA AND 80 MICRO INCH MIN. TIN IN SELECTED AREA OVER, 50 MICRO INCH MIN. NICKEL UNDERPLATED
 - 2 MICRO INCH MIN. GOLD FLASH IN SELECTED AREA AND 100 MICRO INCH MIN. TIN IN SELECTED AREA OVER, 50 MICRO INCH MIN. NICKEL UNDERPLATED
- THE ABOVE 14 CKT SHOWN IS FOR ILLUSTRATION ONLY.
- PARTS TO BE PACKED IN TUBE EXCEPT FOR 4 CKTS.
- POSITION OF CAP TO BE LOCATED AS SHOWN.
- IRREGULAR CIRCUIT CUTOFF WITHIN BREAKAWAY SECTION IS PERMISSIBLE. CUTTING OR CHIPPING OF THE MAIN BODY IS NOT ACCEPTABLE.
- PACKAGING SPECIFICATION REFER TO
TUBE : PK-89990-565
TAPE & REEL : PK-87933-300
- PRODUCT SPECIFICATION: 879330001_PS
- MATED SERIES: 78120 EXCEPT FOR FULL TIN PLATING FINISH
- PARTS CONFORMS TO CLASS "B" REQUIREMENT TO COSMETIC SPECIFICATION PS-45499-002

| | | | | | | | | | | | | | |
|---|--|-------|--|--|--|----------------|--|---|--|----------|--|-------------------|--|
| THIS DRAWING CONTAINS INFORMATION THAT IS PROPRIETARY TO MOLEX ELECTRONIC TECHNOLOGIES, LLC AND SHOULD NOT BE USED WITHOUT WRITTEN PERMISSION | | | | | | | | | | | | | |
| DIMENSION UNITS | | SCALE | | CURRENT REV DESC: | | | | molex | | | | | |
| mm | | NTS | | | | | | | | | | | |
| GENERAL TOLERANCES (UNLESS SPECIFIED) | | | | EC NO: 743277 DRWN: DANUSA 2022/11/18 CHK'D: SUAIFR 2023/03/22 APPR: MRAMAKRISHNA 2023/03/23 INITIAL REVISION: DRWN: SCHEONG 2016/09/14 APPR: SCHEONG 2016/11/10 | | | | 1.27MM PITCH SMT HEADER WITH CAP PACKED IN TUBE | | | | | |
| ANGULAR TOL ± 3.0° | | | | | | | | PRODUCT CUSTOMER DRAWING | | | | | |
| 4 PLACES ± | | | | | | | | DOCUMENT NUMBER | | DOC TYPE | | DOC PART REVISION | |
| 3 PLACES ± | | | | | | | | SD-87933-0001 | | PSD | | 000 C5 | |
| 2 PLACES ± | | 0.2 | | | | | | MATERIAL NUMBER | | CUSTOMER | | SHEET NUMBER | |
| 1 PLACE ± | | | | SEE TABLE | | GENERAL MARKET | | 2 OF 6 | | | | | |
| 0 PLACES ± | | | | | | | | | | | | | |
| DRAFT WHERE APPLICABLE MUST REMAIN WITHIN DIMENSIONS | | | | THIRD ANGLE PROJECTION | | DRAWING | | SERIES | | | | | |
| | | | | A3-SIZE | | 87933 | | | | | | | |

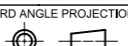
| 10 | | 9 | | 8 | | 7 | | 6 | | 5 | | 4 | | 3 | | 2 | | 1 | |
|----------------------------|------------|------------|-----------------------------|------------|----------|-----------------|--------|----------------------------|--------|------------|-----------------------------|-------------------------------|------------|------------|-----------------|--------|----|------|------|
| P/N WITH CAP PACKED IN T&R | TOOLED | NOT TOOLED | P/N WITH CAP PACKED IN TUBE | PEG | CKT SIZE | PLATING OPTIONS | DIM. M | P/N WITH CAP PACKED IN T&R | TOOLED | NOT TOOLED | P/N WITH CAP PACKED IN TUBE | P/N WITHOUT CAP PACKED IN T&R | PEG | CKT SIZE | PLATING OPTIONS | DIM. M | | | |
| F | 87933-0422 | | X | - | N | 04 | 1 | 1.65 | | | X | 87933-0818 | | - | N | 08 | 4 | 3.05 | |
| | 87933-0438 | | X | - | N | 04 | 2 | 1.65 | | | X | 87933-0823 | | - | N | 08 | 5 | 3.05 | |
| | 87933-0439 | | X | - | N | 04 | 3 | 1.65 | | | X | 87933-1007 | | - | N | 10 | 1 | 1.65 | |
| | 87933-0440 | | X | - | N | 04 | 4 | 1.65 | | | X | 87933-1008 | | - | N | 10 | 2 | 1.65 | |
| | 87933-0446 | | X | - | N | 04 | 5 | 1.65 | | | X | 87933-1009 | | - | N | 10 | 3 | 1.65 | |
| | 87933-0441 | | X | - | N | 04 | 1 | 1.91 | | | X | 87933-1010 | | - | N | 10 | 4 | 1.65 | |
| | 87933-0442 | | X | - | N | 04 | 2 | 1.91 | | | X | 87933-1045 | | - | N | 10 | 5 | 1.65 | |
| | 87933-0443 | | X | - | N | 04 | 3 | 1.91 | | | X | 87933-1011 | | - | N | 10 | 1 | 1.91 | |
| E | 87933-0444 | | X | - | N | 04 | 4 | 1.91 | | | X | 87933-1012 | | - | N | 10 | 2 | 1.91 | |
| | 87933-0448 | | X | - | N | 04 | 5 | 1.91 | | | X | 87933-1013 | | - | N | 10 | 3 | 1.91 | |
| | 87933-0425 | | X | - | N | 04 | 1 | 3.05 | | | X | 87933-1014 | | - | N | 10 | 4 | 1.91 | |
| | 87933-0426 | | X | - | N | 04 | 2 | 3.05 | | | X | 87933-1047 | | - | N | 10 | 5 | 1.91 | |
| | 87933-0427 | | X | - | N | 04 | 3 | 3.05 | | | X | 87933-1015 | | - | N | 10 | 1 | 3.05 | |
| | 87933-0428 | | X | - | N | 04 | 4 | 3.05 | | | X | 87933-1016 | | - | N | 10 | 2 | 3.05 | |
| | 87933-0424 | | X | - | N | 04 | 5 | 3.05 | | | X | 87933-1017 | | - | N | 10 | 3 | 3.05 | |
| | 87933-0622 | X | | 87933-0607 | N | 06 | 1 | 1.65 | | | X | 87933-1018 | C5 | 87933-1058 | N | 10 | 4 | 3.05 | |
| D | 87933-0638 | X | | 87933-0608 | N | 06 | 2 | 1.65 | | | X | 87933-1023 | | - | N | 10 | 5 | 3.05 | |
| | 87933-0639 | X | | 87933-0609 | N | 06 | 3 | 1.65 | | | | X | 87933-1252 | | - | N | 12 | 1 | 1.65 |
| | 87933-0640 | X | | 87933-0610 | N | 06 | 4 | 1.65 | | | | X | 87933-1258 | | - | N | 12 | 2 | 1.65 |
| | 87933-0646 | X | | 87933-0645 | N | 06 | 5 | 1.65 | | | | X | 87933-1259 | | - | N | 12 | 3 | 1.65 |
| | 87933-0641 | X | | 87933-0611 | N | 06 | 1 | 1.91 | | | | X | 87933-1260 | | - | N | 12 | 4 | 1.65 |
| | 87933-0642 | X | | 87933-0612 | N | 06 | 2 | 1.91 | | | | X | 87933-1245 | | - | N | 12 | 5 | 1.65 |
| | 87933-0643 | X | | 87933-0613 | N | 06 | 3 | 1.91 | | | | X | 87933-1261 | | - | N | 12 | 1 | 1.91 |
| | 87933-0644 | X | | 87933-0614 | N | 06 | 4 | 1.91 | | | | X | 87933-1262 | | - | N | 12 | 2 | 1.91 |
| C | 87933-0648 | X | | 87933-0647 | N | 06 | 5 | 1.91 | | | | X | 87933-1263 | | - | N | 12 | 3 | 1.91 |
| | 87933-0625 | X | | 87933-0615 | N | 06 | 1 | 3.05 | | | | X | 87933-1264 | | - | N | 12 | 4 | 1.91 |
| | 87933-0626 | X | | 87933-0616 | N | 06 | 2 | 3.05 | | | | X | 87933-1247 | | - | N | 12 | 5 | 1.91 |
| | 87933-0627 | X | | 87933-0617 | N | 06 | 3 | 3.05 | | | | X | 87933-1219 | | - | N | 12 | 1 | 3.05 |
| | 87933-0628 | X | | 87933-0618 | N | 06 | 4 | 3.05 | | | | X | 87933-1220 | | - | N | 12 | 2 | 3.05 |
| | 87933-0624 | X | | 87933-0623 | N | 06 | 5 | 3.05 | | | | X | 87933-1221 | | - | N | 12 | 3 | 3.05 |
| | 87933-0822 | | X | 87933-0807 | N | 08 | 1 | 1.65 | | | | X | 87933-1222 | | - | N | 12 | 4 | 3.05 |
| | 87933-0838 | | X | 87933-0808 | N | 08 | 2 | 1.65 | | | | X | 87933-1223 | | - | N | 12 | 5 | 3.05 |
| | 87933-0839 | | X | 87933-0809 | N | 08 | 3 | 1.65 | | | | | | | | | | | |
| B | 87933-0840 | | X | 87933-0810 | N | 08 | 4 | 1.65 | | | | | | | | | | | |
| | 87933-0846 | | X | 87933-0845 | N | 08 | 5 | 1.65 | | | | | | | | | | | |
| | 87933-0841 | | X | 87933-0811 | N | 08 | 1 | 1.91 | | | | | | | | | | | |
| | 87933-0842 | | X | 87933-0812 | N | 08 | 2 | 1.91 | | | | | | | | | | | |
| | 87933-0843 | | X | 87933-0813 | N | 08 | 3 | 1.91 | | | | | | | | | | | |
| | 87933-0844 | | X | 87933-0814 | N | 08 | 4 | 1.91 | | | | | | | | | | | |
| | 87933-0848 | | X | 87933-0847 | N | 08 | 5 | 1.91 | | | | | | | | | | | |
| | 87933-0825 | | X | 87933-0815 | N | 08 | 1 | 3.05 | | | | | | | | | | | |
| A | 87933-0826 | | X | 87933-0816 | N | 08 | 2 | 3.05 | | | | | | | | | | | |
| | 87933-0827 | | X | 87933-0817 | N | 08 | 3 | 3.05 | | | | | | | | | | | |

| | | | | | | | | | |
|---|--|---|--|--|--|----------------|--|----------------------------|--|
| THIS DRAWING CONTAINS INFORMATION THAT IS PROPRIETARY TO MOLEX ELECTRONIC TECHNOLOGIES, LLC AND SHOULD NOT BE USED WITHOUT WRITTEN PERMISSION | | | | | | | | | |
| DIMENSION UNITS | | SCALE | | CURRENT REV DESC: | | | | | |
| mm | | NTS | |  1.27MM PITCH SMT HEADER WITH CAP PACKED IN TUBE | | | | | |
| GENERAL TOLERANCES (UNLESS SPECIFIED) | | | | | | | | | |
| ANGULAR TOL ± 3.0 ° | | | | | | | | | |
| 4 PLACES ± | | EC NO: 743277 | | | | | | | |
| 3 PLACES ± | | DRWN: DANUSA 2022/11/18 | | | | | | | |
| 2 PLACES ± 0.2 | | CHK'D: SUAIFR 2023/03/22 | | | | | | | |
| 1 PLACE ± | | APPR: MRAMAKRISHNA 2023/03/23 | | | | | | | |
| 0 PLACES ± | | INITIAL REVISION: | | | | | | | |
| DRAFT WHERE APPLICABLE MUST REMAIN WITHIN DIMENSIONS | | THIRD ANGLE PROJECTION | | DRAWING | | SERIES | | DOCUMENT NUMBER | |
| | |  | | A3-SIZE | | 87933 | | SD-87933-0001 | |
| | | | | MATERIAL NUMBER | | CUSTOMER | | DOC TYPE DOC PART REVISION | |
| | | | | SEE TABLE | | GENERAL MARKET | | PSD 000 C5 | |
| | | | | | | | | SHEET NUMBER | |
| | | | | | | | | 3 OF 6 | |


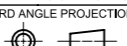
| | | | | |
|-----------------|----|--------------|------------|----------|
| DOCUMENT STATUS | P1 | RELEASE DATE | 2023/03/23 | 05:13:54 |
|-----------------|----|--------------|------------|----------|

| 10 | 9 | 8 | 7 | 6 | | | |
|----------------------------|--------|------------|-----------------------------|-----|----------|-----------------|--------|
| P/N WITH CAP PACKED IN T&R | TOOLED | NOT TOOLED | P/N WITH CAP PACKED IN TUBE | PEG | CKT SIZE | PLATING OPTIONS | DIM. M |
| 87933-1422 | | X | 87933-1407 | N | 14 | 1 | 1.65 |
| 87933-1438 | | X | 87933-1408 | N | 14 | 2 | 1.65 |
| 87933-1439 | | X | 87933-1409 | N | 14 | 3 | 1.65 |
| 87933-1440 | | X | 87933-1410 | N | 14 | 4 | 1.65 |
| 87933-1446 | | X | 87933-1445 | N | 14 | 5 | 1.65 |
| 87933-1441 | | X | 87933-1411 | N | 14 | 1 | 1.91 |
| 87933-1442 | | X | 87933-1412 | N | 14 | 2 | 1.91 |
| 87933-1443 | | X | 87933-1413 | N | 14 | 3 | 1.91 |
| 87933-1444 | | X | 87933-1414 | N | 14 | 4 | 1.91 |
| 87933-1448 | | X | 87933-1447 | N | 14 | 5 | 1.91 |
| 87933-1425 | | X | 87933-1415 | N | 14 | 1 | 3.05 |
| 87933-1426 | | X | 87933-1416 | N | 14 | 2 | 3.05 |
| 87933-1427 | | X | 87933-1417 | N | 14 | 3 | 3.05 |
| 87933-1428 | | X | 87933-1418 | N | 14 | 4 | 3.05 |
| 87933-1424 | | X | 87933-1423 | N | 14 | 5 | 3.05 |
| 87933-1622 | | X | 87933-1607 | N | 16 | 1 | 1.65 |
| 87933-1638 | | X | 87933-1608 | N | 16 | 2 | 1.65 |
| 87933-1639 | | X | 87933-1609 | N | 16 | 3 | 1.65 |
| 87933-1640 | | X | 87933-1610 | N | 16 | 4 | 1.65 |
| 87933-1646 | | X | 87933-1645 | N | 16 | 5 | 1.65 |
| 87933-1641 | | X | 87933-1611 | N | 16 | 1 | 1.91 |
| 87933-1642 | | X | 87933-1612 | N | 16 | 2 | 1.91 |
| 87933-1643 | | X | 87933-1613 | N | 16 | 3 | 1.91 |
| 87933-1644 | | X | 87933-1614 | N | 16 | 4 | 1.91 |
| 87933-1648 | | X | 87933-1647 | N | 16 | 5 | 1.91 |
| 87933-1625 | | X | 87933-1615 | N | 16 | 1 | 3.05 |
| 87933-1626 | | X | 87933-1616 | N | 16 | 2 | 3.05 |
| 87933-1627 | | X | 87933-1617 | N | 16 | 3 | 3.05 |
| 87933-1628 | | X | 87933-1618 | N | 16 | 4 | 3.05 |
| 87933-1624 | | X | 87933-1623 | N | 16 | 5 | 3.05 |
| 87933-1822 | | X | 87933-1807 | N | 18 | 1 | 1.65 |
| 87933-1838 | | X | 87933-1808 | N | 18 | 2 | 1.65 |
| 87933-1839 | | X | 87933-1809 | N | 18 | 3 | 1.65 |
| 87933-1840 | | X | 87933-1810 | N | 18 | 4 | 1.65 |
| 87933-1846 | | X | 87933-1845 | N | 18 | 5 | 1.65 |
| 87933-1841 | | X | 87933-1811 | N | 18 | 1 | 1.91 |
| 87933-1842 | | X | 87933-1812 | N | 18 | 2 | 1.91 |
| 87933-1843 | | X | 87933-1813 | N | 18 | 3 | 1.91 |
| 87933-1844 | | X | 87933-1814 | N | 18 | 4 | 1.91 |
| 87933-1848 | | X | 87933-1847 | N | 18 | 5 | 1.91 |
| 87933-1825 | | X | 87933-1815 | N | 18 | 1 | 3.05 |
| 87933-1826 | | X | 87933-1816 | N | 18 | 2 | 3.05 |
| 87933-1827 | | X | 87933-1817 | N | 18 | 3 | 3.05 |

| 5 | 4 | 3 | 2 | 1 | | | |
|----------------------------|--------|------------|-----------------------------|-----|----------|-----------------|--------|
| P/N WITH CAP PACKED IN T&R | TOOLED | NOT TOOLED | P/N WITH CAP PACKED IN TUBE | PEG | CKT SIZE | PLATING OPTIONS | DIM. M |
| 87933-1828 | X | | 87933-1818 | N | 18 | 4 | 3.05 |
| 87933-1824 | X | | 87933-1823 | N | 18 | 5 | 3.05 |
| 87933-2037 | X | | 87933-2007 | N | 20 | 1 | 1.65 |
| 87933-2038 | X | | 87933-2008 | N | 20 | 2 | 1.65 |
| 87933-2039 | X | | 87933-2009 | N | 20 | 3 | 1.65 |
| 87933-2040 | X | | 87933-2010 | N | 20 | 4 | 1.65 |
| 87933-2046 | X | | 87933-2045 | N | 20 | 5 | 1.65 |
| 87933-2041 | X | | 87933-2011 | N | 20 | 1 | 1.91 |
| 87933-2042 | X | | 87933-2012 | N | 20 | 2 | 1.91 |
| 87933-2043 | X | | 87933-2013 | N | 20 | 3 | 1.91 |
| 87933-2044 | X | | 87933-2014 | N | 20 | 4 | 1.91 |
| 87933-2048 | X | | 87933-2047 | N | 20 | 5 | 1.91 |
| 87933-2025 | X | | 87933-2015 | N | 20 | 1 | 3.05 |
| 87933-2026 | X | | 87933-2016 | N | 20 | 2 | 3.05 |
| 87933-2027 | X | | 87933-2017 | N | 20 | 3 | 3.05 |
| 87933-2021 | X | | 87933-2018 | N | 20 | 4 | 3.05 |
| 87933-2024 | X | | 87933-2023 | N | 20 | 5 | 3.05 |
| 87933-2237 | | X | 87933-2207 | N | 22 | 1 | 1.65 |
| 87933-2238 | | X | 87933-2208 | N | 22 | 2 | 1.65 |
| 87933-2239 | | X | 87933-2209 | N | 22 | 3 | 1.65 |
| 87933-2240 | | X | 87933-2210 | N | 22 | 4 | 1.65 |
| 87933-2246 | | X | 87933-2245 | N | 22 | 5 | 1.65 |
| 87933-2241 | | X | 87933-2211 | N | 22 | 1 | 1.91 |
| 87933-2242 | | X | 87933-2212 | N | 22 | 2 | 1.91 |
| 87933-2243 | | X | 87933-2213 | N | 22 | 3 | 1.91 |
| 87933-2244 | | X | 87933-2214 | N | 22 | 4 | 1.91 |
| 87933-2248 | | X | 87933-2247 | N | 22 | 5 | 1.91 |
| 87933-2225 | | X | 87933-2215 | N | 22 | 1 | 3.05 |
| 87933-2226 | | X | 87933-2216 | N | 22 | 2 | 3.05 |
| 87933-2227 | | X | 87933-2217 | N | 22 | 3 | 3.05 |
| 87933-2228 | | X | 87933-2218 | N | 22 | 4 | 3.05 |
| 87933-2224 | | X | 87933-2223 | N | 22 | 5 | 3.05 |

| | | | | | | | | | | | | | |
|---|--|--------|---|---|----------------|--|--------|---|-----------------|------------|--|----------|--|
| THIS DRAWING CONTAINS INFORMATION THAT IS PROPRIETARY TO MOLEX ELECTRONIC TECHNOLOGIES, LLC AND SHOULD NOT BE USED WITHOUT WRITTEN PERMISSION | | | | | | | | | | | | | |
| DIMENSION UNITS | | SCALE | | CURRENT REV DESC: | | | |  | | | | | |
| mm | | NTS | | | | | | | | | | | |
| GENERAL TOLERANCES (UNLESS SPECIFIED) | | | | EC NO: 743277 DRWN: DANUSA 2022/11/18 CHK'D: SUAIFR 2023/03/22 APPR: MRAMAKRISHNA 2023/03/23 | | | | PRODUCT CUSTOMER DRAWING | | | | | |
| ANGULAR TOL | | ± 3.0° | | | | | | DOCUMENT NUMBER | | DOC TYPE | | DOC PART | |
| 4 PLACES | | ± | | | | | | SD-87933-0001 | | PSD | | 000 | |
| 3 PLACES | | ± | | | | | | 2016/09/14 | | 2016/11/10 | | C5 | |
| 2 PLACES | | ± 0.2 | | | | | | | | | | | |
| 1 PLACE | | ± | | | | | | | | | | | |
| 0 PLACES | | ± | | | | | | | | | | | |
| DRAFT WHERE APPLICABLE MUST REMAIN WITHIN DIMENSIONS | | | THIRD ANGLE PROJECTION | | DRAWING | | SERIES | | MATERIAL NUMBER | | | | |
| | | |  | | A3-SIZE | | 87933 | | SEE TABLE | | | | |
| | | | | | GENERAL MARKET | | | | SHEET NUMBER | | | | |
| | | | | | | | | | 4 OF 6 | | | | |

| | 10 | 9 | 8 | 7 | 6 | 5 | 4 | 3 | 2 | 1 |
|---|-------------------------------|--------|---------------|--------------------------------|-----|-------------|--------------------|-----------|---|---|
| | P/N WITH CAP PACKED IN T&R | TOOLED | NOT TOOLED | P/N WITH CAP PACKED IN TUBE | PEG | CKT SIZE | PLATING OPTIONS | DIM. M | | |
| F | 87933-2437 | | X | 87933-2407 | N | 24 | 1 | 1.65 | | |
| | 87933-2438 | | X | 87933-2408 | N | 24 | 2 | 1.65 | | |
| | 87933-2439 | | X | 87933-2409 | N | 24 | 3 | 1.65 | | |
| | 87933-2440 | | X | 87933-2410 | N | 24 | 4 | 1.65 | | |
| | 87933-2446 | | X | 87933-2445 | N | 24 | 5 | 1.65 | | |
| | 87933-2441 | | X | 87933-2411 | N | 24 | 1 | 1.91 | | |
| | 87933-2442 | | X | 87933-2412 | N | 22 | 2 | 1.91 | | |
| | 87933-2443 | | X | 87933-2413 | N | 24 | 3 | 1.91 | | |
| E | 87933-2444 | | X | 87933-2414 | N | 24 | 4 | 1.91 | | |
| | 87933-2448 | | X | 87933-2447 | N | 24 | 5 | 1.91 | | |
| | 87933-2425 | | X | 87933-2415 | N | 24 | 1 | 3.05 | | |
| | 87933-2426 | | X | 87933-2416 | N | 24 | 2 | 3.05 | | |
| | 87933-2427 | | X | 87933-2417 | N | 24 | 3 | 3.05 | | |
| | 87933-2428 | | X | 87933-2418 | N | 24 | 4 | 3.05 | | |
| | 87933-2424 | | X | 87933-2423 | N | 24 | 5 | 3.05 | | |

| | | | | | | | | | | |
|---|---------|---|--|---------|--------|-----------------|---|--------------|--|--|
| THIS DRAWING CONTAINS INFORMATION THAT IS PROPRIETARY TO MOLEX ELECTRONIC TECHNOLOGIES, LLC AND SHOULD NOT BE USED WITHOUT WRITTEN PERMISSION | | | | | | | | | | |
| DIMENSION UNITS | SCALE | CURRENT REV DESC: | | | | |  | | | |
| mm | NTS | | | | | | | | | |
| GENERAL TOLERANCES (UNLESS SPECIFIED) | | EC NO: 743277 DRWN: DANUSA 2022/11/18 CHK'D: SUAIFR 2023/03/22 APPR: MRAMAKRISHNA 2023/03/23 | | | | | 1.27MM PITCH SMT HEADER WITH CAP PACKED IN TUBE | | | |
| ANGULAR TOL | ± 3.0 ° | | | | | | PRODUCT CUSTOMER DRAWING | | | |
| 4 PLACES | ± | | | | | | DOCUMENT NUMBER | | | |
| 3 PLACES | ± | | | | | | SD-87933-0001 | | | |
| 2 PLACES | ± 0.2 | | | | | | DOC TYPE | | | |
| 1 PLACE | ± | INITIAL REVISION: | | | | | DOC PART | | | |
| 0 PLACES | ± | DRWN: SCHEONG 2016/09/14 | | | | | REVISION | | | |
| DRAFT WHERE APPLICABLE MUST REMAIN WITHIN DIMENSIONS | | THIRD ANGLE PROJECTION | | DRAWING | SERIES | MATERIAL NUMBER | CUSTOMER | SHEET NUMBER | | |
| | |  | | A3-SIZE | 87933 | SEE TABLE | GENERAL MARKET | 5 OF 6 | | |

| | | | | |
|-----------------|----|--------------|------------|----------|
| DOCUMENT STATUS | P1 | RELEASE DATE | 2023/03/23 | 05:13:54 |
|-----------------|----|--------------|------------|----------|

BOARD TO BOARD (BTB) DISTANCE

| HEADER | MATES WITH (RECEPTACLE) | BTB DIST. | PICTORIAL VIEW |
|--------|-------------------------|-----------|----------------|
| 87933 | 78120 | 7.57 | |

| | | | | | | | | | | | |
|---|---------|---|--|---------|--------|---|----------------|-----------------|----------------|----------|----------|
| THIS DRAWING CONTAINS INFORMATION THAT IS PROPRIETARY TO MOLEX ELECTRONIC TECHNOLOGIES, LLC AND SHOULD NOT BE USED WITHOUT WRITTEN PERMISSION | | | | | | | | | | | |
| DIMENSION UNITS | SCALE | CURRENT REV DESC: | | | | | | | | | |
| mm | NTS | | | | | | | | | | |
| GENERAL TOLERANCES (UNLESS SPECIFIED) | | EC NO: 743277 DRWN: DANUSA 2022/11/18 CHK'D: SUAIFR 2023/03/22 APPR: MRAMAKRISHNA 2023/03/23 | | | | 1.27MM PITCH SMT HEADER WITH CAP PACKED IN TUBE | | | | | |
| ANGULAR TOL | ± 3.0 ° | | | | | PRODUCT CUSTOMER DRAWING | | | | | |
| 4 PLACES | ± | | | | | INITIAL REVISION: | | DOCUMENT NUMBER | DOC TYPE | DOC PART | REVISION |
| 3 PLACES | ± | | | | | DRWN: SCHEONG 2016/09/14 | 2016/11/10 | SD-87933-0001 | PSD | 000 | C5 |
| 2 PLACES | ± 0.2 | | | | | APPR: SCHEONG 2016/11/10 | | SEE TABLE | GENERAL MARKET | | |
| 1 PLACE | ± | THIRD ANGLE PROJECTION | | DRAWING | SERIES | MATERIAL NUMBER | CUSTOMER | SHEET NUMBER | | | |
| 0 PLACES | ± | | | A3-SIZE | 87933 | SEE TABLE | GENERAL MARKET | 6 OF 6 | | | |
| DRAFT WHERE APPLICABLE MUST REMAIN WITHIN DIMENSIONS | | | | | | | | | | | |

| | | | |
|-----------------|----|--------------|---------------------|
| DOCUMENT STATUS | P1 | RELEASE DATE | 2023/03/23 05:13:54 |
|-----------------|----|--------------|---------------------|