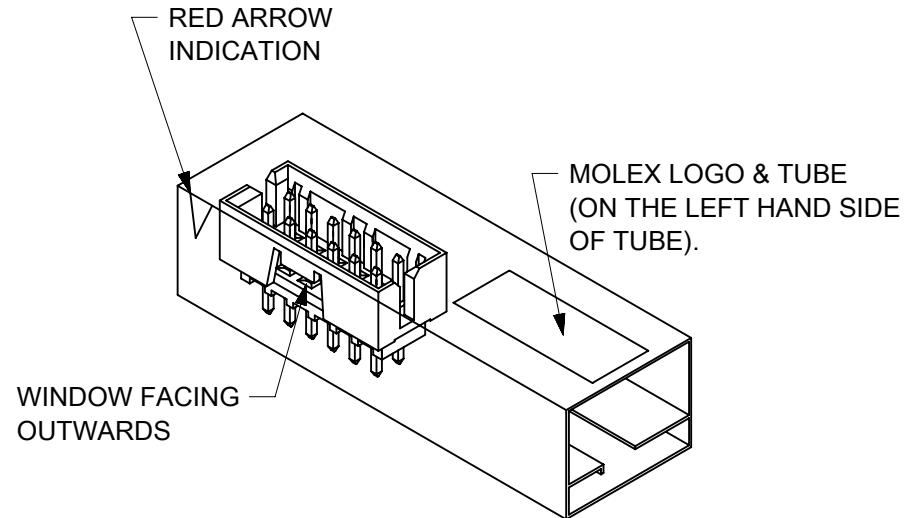
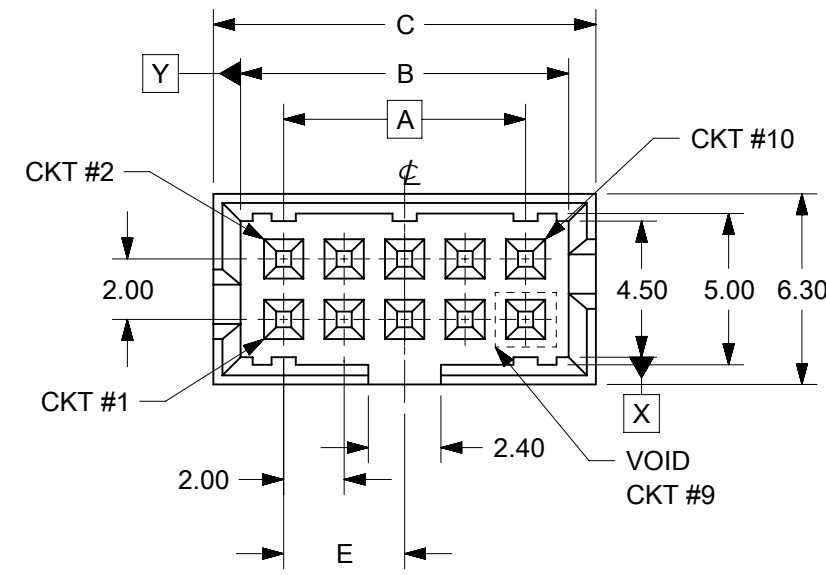


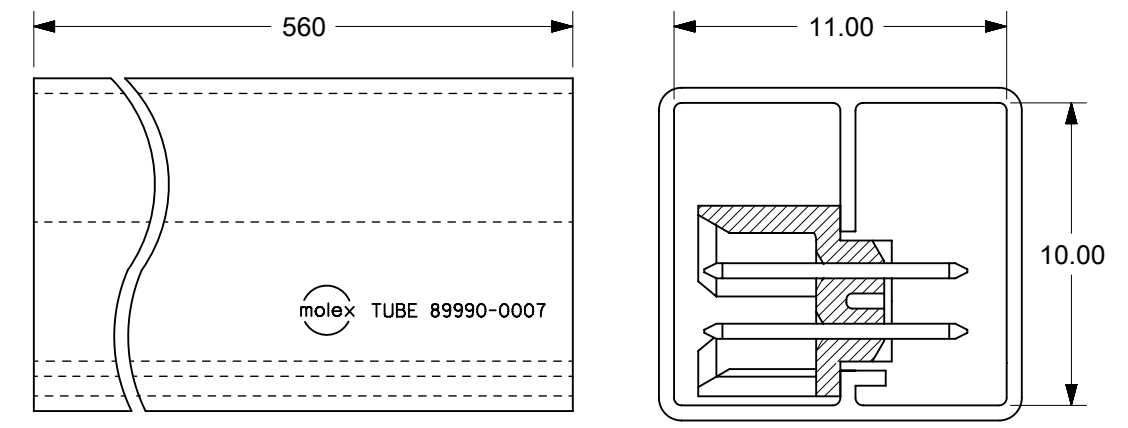
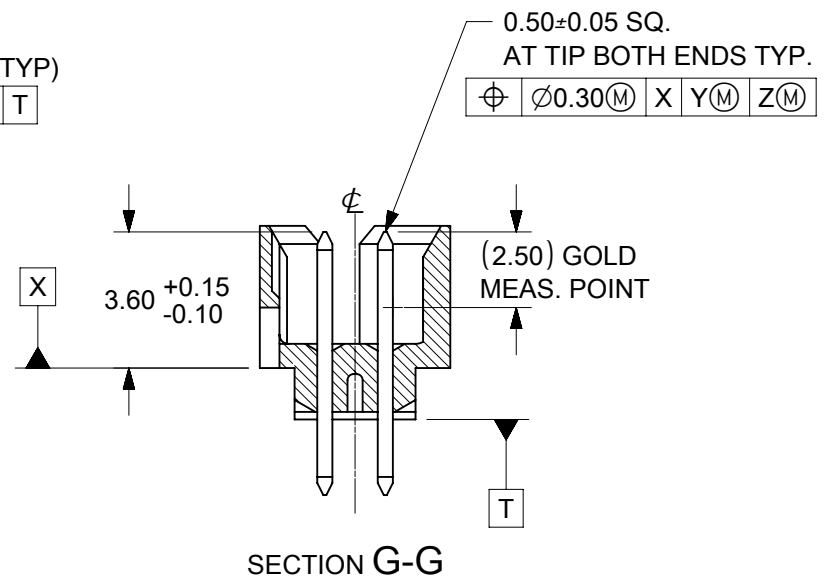
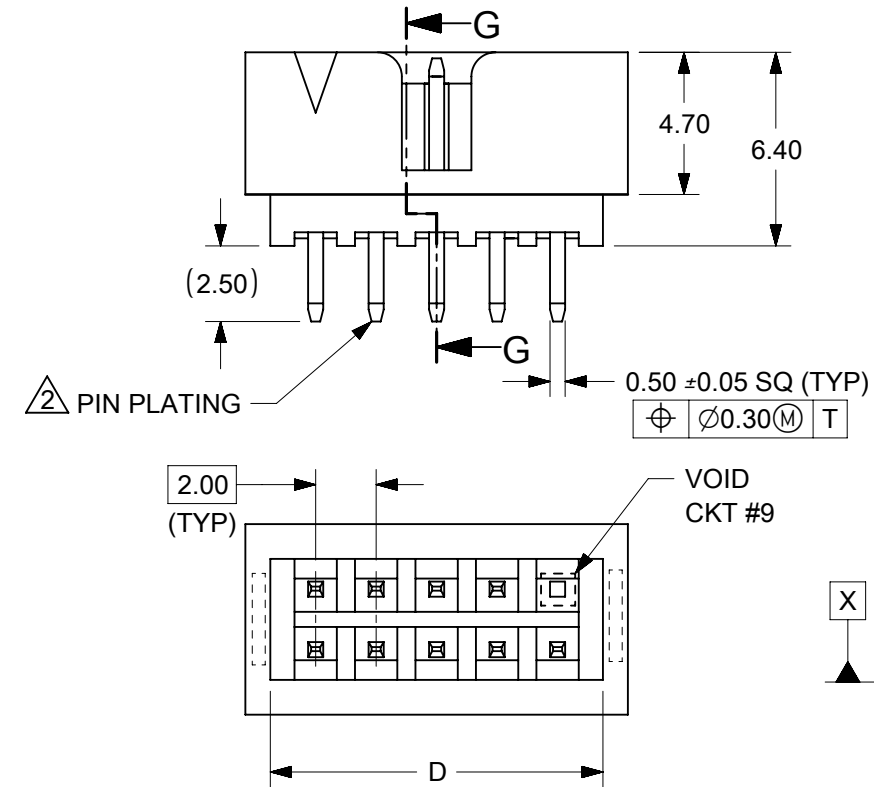
PART NO.	CKT SIZE	VOID CKT	DIMENSION				
			A	B	C	D	E
87831-7003	10	9	8.00	10.85	12.65	11.00	4.00

**NOTES:**

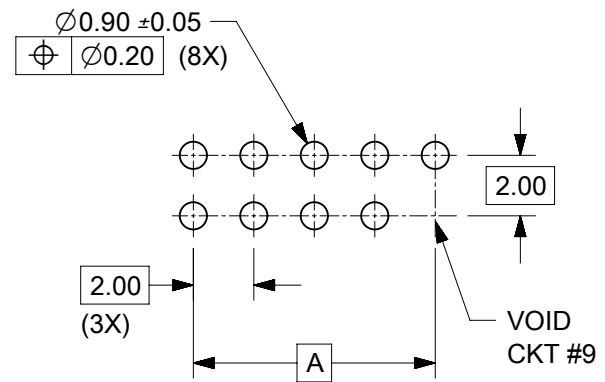
- MATERIAL:  
HOUSING : 30% GF,NYLON 46,UL 94V-0 COLOR BLACK  
PIN : PHOSPHOR BRONZE, SQ 0.50mm.
- PLATING:  
0.38µm/15µin GOLD IN CONTACT AREA, 1.88µm/75µin MIN TIN IN SOLDER TAIL AREA, OVER 1.27µm/50µin MIN NICKEL OVERALL.
- PRODUCT SPECIFICATION PS-87831-027 APPLIES.
- PARTS TO BE PACK IN TUBE WITH MOISTURE BARRIER BAG.
- PIN PUSHOUT FORCE : 0.91kg MIN IN EITHER DIRECTION.
- THIS HEADER MATES WITH MOLEX :  
a) CRIMP RECEPTACLE HOUSING, 51110 SERIES WITH CRIMP TERMINAL, 50394 SERIES  
b) 2mm MILLIGRID DUAL ROW IDT, 87568 SERIES.



**ORIENTATION OF PART IN TUBE.**  
(FOR THE REFERENCE OF PART / TUBE ASSEMBLY.)



**ORIENTATION OF PART IN TUBE.**



**RECOMMENDED PCB PATTERN**

THIS DRAWING CONTAINS INFORMATION THAT IS PROPRIETARY TO MOLEX ELECTRONIC TECHNOLOGIES, LLC AND SHOULD NOT BE USED WITHOUT WRITTEN PERMISSION										
QUALITY SYMBOLS	ADDED BTB DIST.	EC NO: 619055	DRWN: HK02	CHK'D: NMANE02	REV APPR: MRAMAKRISHNA	GENERAL TOLERANCES (UNLESS SPECIFIED)		DIMENSION UNITS	SCALE	
						MM	INCH	MM	NTS	
▽A = 0						4 PLACES ±	±	DRWN BY	DATE	
▽E = 0						3 PLACES ±	±	ATSEE	2004/08/26	
▽B = 0						2 PLACES ±	0.2	CHK'D BY	DATE	
▽ = 0						1 PLACES ±	±	SHONG	2004/11/22	
▽C = 0						0 PLACES ±	±	APPR BY	DATE	
▽ = 0						ANGULAR TOL = 3.0		SKTOH	2004/11/23	
▽ = 0						DRAFT WHERE APPLICABLE MUST REMAIN WITHIN DIMENSIONS		DRAWING SIZE	THIRD ANGLE PROJECTION	
▽ = 0								A3		
									<b>MGRID, SHROUDED HEADER VERTICAL W/VOID, SLOT &amp; STANDOFFS</b>	
		SERIES		MATERIAL NUMBER		CUSTOMER				
		87831		SEE TABLE		GENERAL MARKET				
RELEASE STATUS		P1		RELEASE DATE		2019/07/09 06:47:45		DOCUMENT NUMBER		
								SD-87831-046		
								DOC TYPE		
								PSD		
								DOC PART		
								001		
								SHEET NUMBER		
								1 OF 2		

