

REVISIONS				
ECN NO	REVISION	DATE	DESCRIPTION	CHANGER
CY10-5701	B	OCT 12,09	UPDATE BOM	JOE XIE

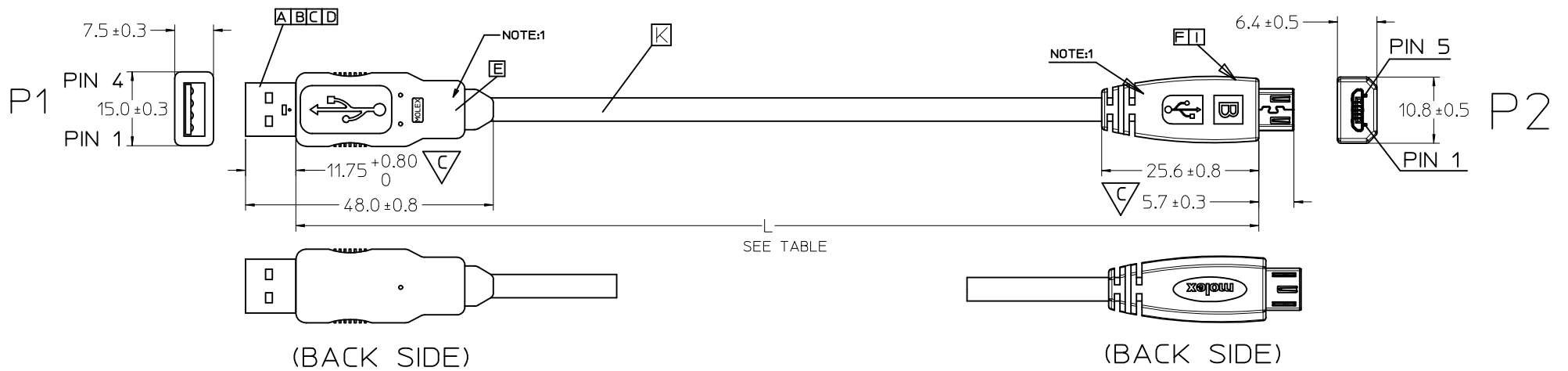


TABLE:

ITEM	MATERIAL NO.	DESCRIPTION	L
1	687840001	USB A TO MICRO B CABLE ASSY	1000±20
2	687840002	USB A TO MICRO B CABLE ASSY	1500±30
3	687840003	USB A TO MICRO B CABLE ASSY	2000±40

NOTE:

- OVERMOLD SPECIFICATION:
OUTER MOLDER WITH PVC RESIN
INNER MOLDER WITH PE RESIN
- THIS PRODUCT ELECTRICAL PERFORMANCE MUST MEET 2.0 COMPLIANCE.
- THIS PRODUCT MUST MEET ROHS COMPLIANCE.

SHELL	BRAID WIRE	SHELL
4	28AWG BLACK	5
3	28AWG GREEN	3
2	28AWG WHITE	2
1	28AWG RED	1
P1	Wire Color	P2
	PIN ASSIGNMENTS	

ITEM	DESCRIPTION	L(REF)	QTY.
K	USB2.0 1P*28AWG+2C*28AWG		
I	COPPER FOIL		1
F	MICRO USB PLUG B		1
E	COPPER FOIL		1
D	TERMINAL (AWG26/28)		4
C	REAR SHELL		1
B	FRONT SHELL		1
A	CRIMP HOUSING		1

ENTER DESCRIPTION EC NO: DG2011-0455 DRW: ZHANG01 2011/05/27 CHK: CHRIS 2011/05/27 APPR: ZXDENG 2011/05/27	QUALITY SYMBOLS ▽=0 ▽=2	GENERAL TOLERANCES (UNLESS SPECIFIED) <table border="1"> <thead> <tr> <th></th> <th>mm</th> <th>INCH</th> </tr> </thead> <tbody> <tr> <td>4 PLACES</td> <td>±---</td> <td>±---</td> </tr> <tr> <td>3 PLACES</td> <td>±---</td> <td>±---</td> </tr> <tr> <td>2 PLACES</td> <td>±---</td> <td>±---</td> </tr> <tr> <td>1 PLACE</td> <td>±---</td> <td>±---</td> </tr> </tbody> </table> ANGULAR ±---°		mm	INCH	4 PLACES	±---	±---	3 PLACES	±---	±---	2 PLACES	±---	±---	1 PLACE	±---	±---	DIMENSION STYLE MM ONLY	SCALE ---	DESIGN UNITS METRIC	THIRD ANGLE PROJECTION
		mm	INCH																		
	4 PLACES	±---	±---																		
	3 PLACES	±---	±---																		
2 PLACES	±---	±---																			
1 PLACE	±---	±---																			
DESCRIPTION USB A TO MICRO B CABLE ASSY	DRAWN BY: JTHUANG DATE: 08-09-30 CHECKED BY: BENTZ, LIU DATE: 08-09-30 APPROVED BY: ZXDENG DATE: 2011/05/27	TITLE USB A TO MICRO B CABLE ASSY	MATERIAL NO. SEE TABLE	DOCUMENT NO. SD-68784-001	SHEET NO. 1 OF 1																
REV B	DESCRIPTION USB A TO MICRO B CABLE ASSY	DRAFT WHERE APPLICABLE MUST REMAIN WITHIN DIMENSIONS	SIZE A2	THIS DRAWING CONTAINS INFORMATION THAT IS PROPRIETARY TO MOLEX INCORPORATED AND SHOULD NOT BE USED WITHOUT WRITTEN PERMISSION																	