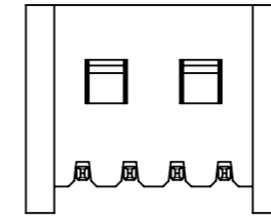
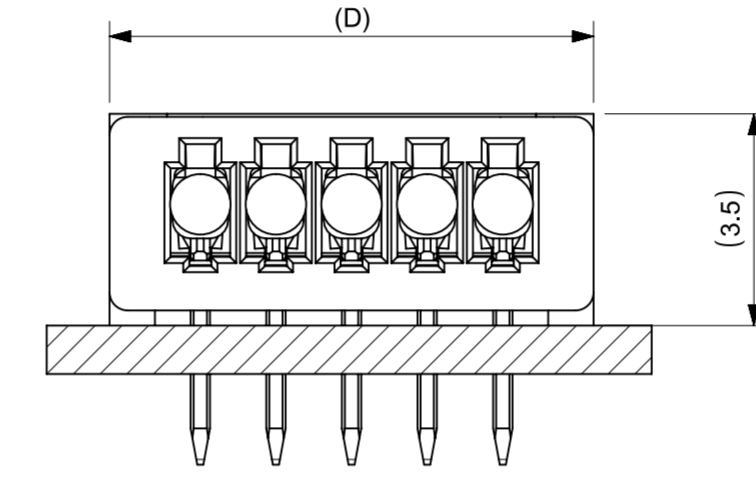
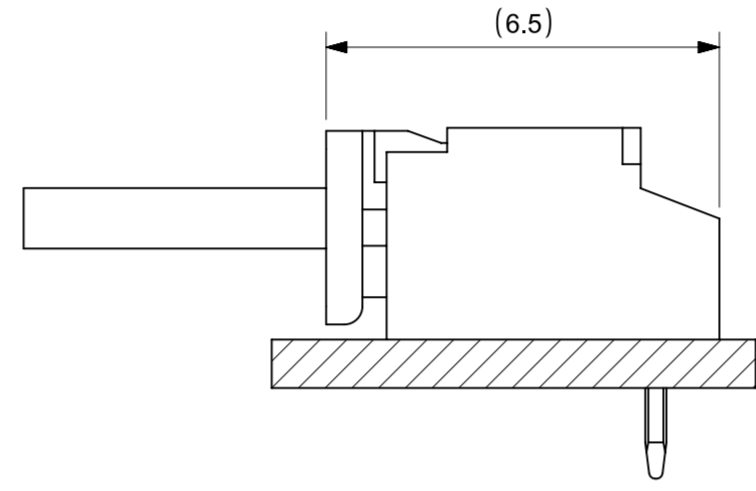
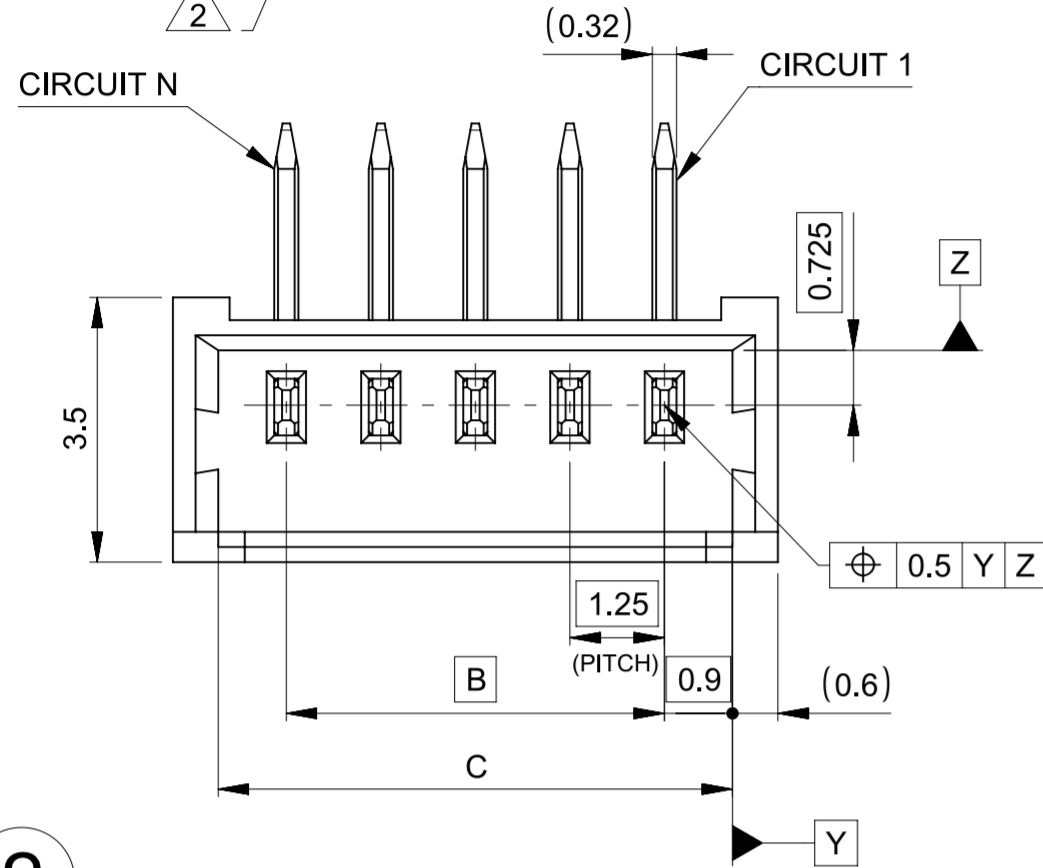


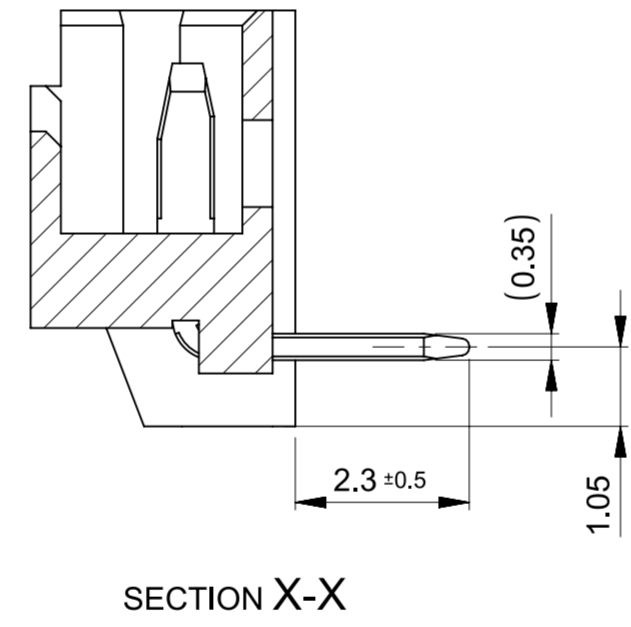
2, 3極形状 (1ロック)  
FIGURE OF 2, 3 CIRCUIT (1 LOCK)



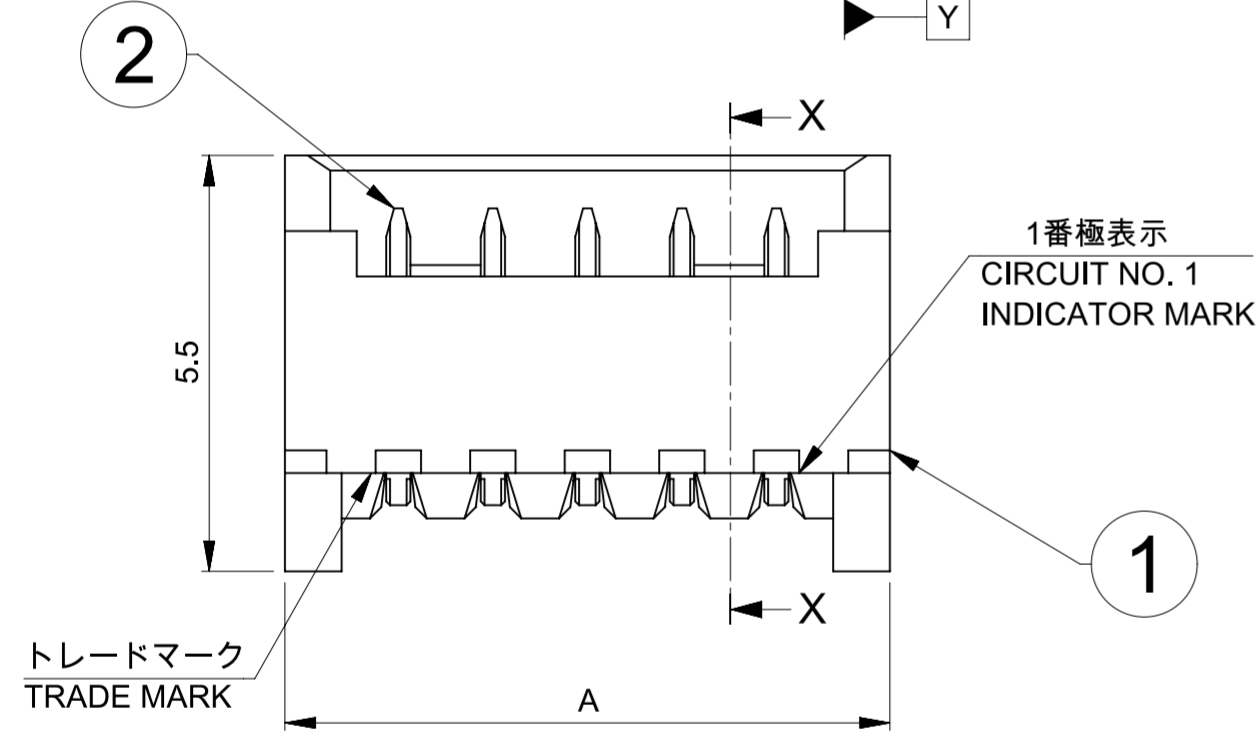
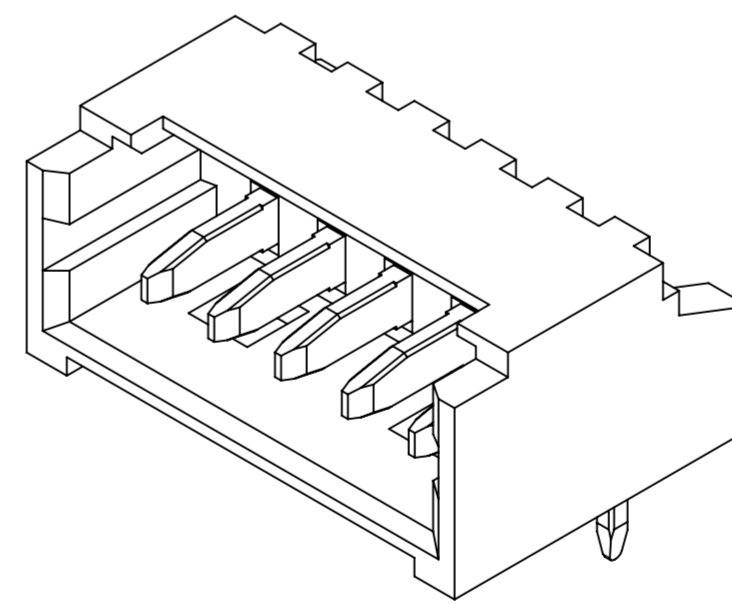
4~15極形状 (2ロック)  
FIGURE OF 4-15 CIRCUIT (2 LOCKS)



1 嵌合図  
MATED CONNECTORES



SECTION X-X



トレードマーク  
TRADE MARK

注記 NOTES

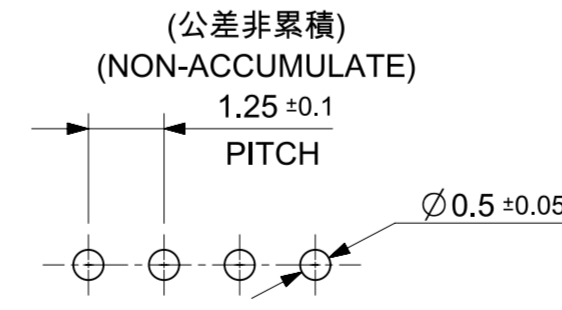
- ① 嵌合相手 MATE WITH:  
リセハウジング: 51021 シリーズ  
REC. HOUSING: 51021 SERIES  
リセクリンブターミナル: 500588025, 500798025  
REC. CRIMP TERMINAL: 500588025, 500798025
- ② ロック窓 LOCKING WINDOW:  
ロック窓は、2、3極では1ヶ所、4極以上では2ヶ所とする。  
ONE PLACE FOR 2 AND 3 CIRCUIT.  
TWO PLACES FOR 4 CIRCUIT AND MORE.
- ③ 材料およびめっき仕様: TABLE1参照  
MATERIAL AND PLATING: REFER TO TABLE1
- 4. アプリケーション仕様書(コネクタ取扱説明書): 510210000-AS  
APPLICATION SPECIFICATION (CONNECTOR MANUAL): 510210000-AS
- 5. 製品仕様書: 510210000-PS  
PRODUCT SPECIFICATION: 510210000-PS
- 6. 梱包仕様書: SPK-53048-001  
PACKAGING SPECIFICATION: SPK-53048-001
- 7. 本製品は金めっき品です。すずめっき品は530480001-SDをご参照ください。  
THIS PRODUCT IS GOLD PLATING TYPE.  
PLEASE REFER TO 530480001-SD FOR TIN PLATING TYPE.
- ⑧ 発注番号  
ORDER NO. **53048\*\*50**

極数  
CIRCUIT

20.5	19.3	17.5	20.5	530481550	15
19.25	18.05	16.25	19.25	530481450	14
18	16.8	15	18	530481350	13
16.75	15.55	13.75	16.75	530481250	12
15.5	14.3	12.5	15.5	530481150	11
14.25	13.05	11.25	14.25	530481050	10
13	11.8	10	13	530480950	9
11.75	10.55	8.75	11.75	530480850	8
10.5	9.3	7.5	10.5	530480750	7
9.25	8.05	6.25	9.25	530480650	6
8	6.8	5	8	530480550	5
6.75	5.55	3.75	6.75	530480450	4
5.5	4.3	2.5	5.5	530480350	3
4.25	3.05	1.25	4.25	530480250	2

③ TABLE1

番号 NO.	部品 PART	材質 MATERIAL
①	ハウジング HOUSING	ポリアミド(PA), UL94V-0, 色: ナチュラル (ホワイト) POLYAMIDE(PA), UL94V-0, COLOR: NATURAL (WHITE)
②	ターミナル TERMINAL	母材 MATERIAL りん青銅 PHOSPHOR BRONZE
		コンタクト部 CONTACT AREA 金めっき 0.38 MICRO-METER MIN. GOLD PLATING 0.38 MICRO-METER MIN.
		テール部 TAIL AREA 無光沢錫めっき 1.0 MICRO-METER MIN. (リフロー処理) MATTE TIN PLATING 1.0 MICRO-METER MIN. (REFLOW TREATMENT)
		下地めっき (コンタクト部、テール部) UNDER PLATING (CONTACT, TAIL AREA) ニッケルめっき 0.5 MICRO-METER MIN. NICKEL PLATING 0.5 MICRO-METER MIN.



基板取付穴推奨寸法 (t=0.8)  
RECOMMENDED P.W.B HOLE DIMENSION (t=0.8)

THIS DRAWING CONTAINS INFORMATION THAT IS PROPRIETARY TO MOLEX ELECTRONIC TECHNOLOGIES, LLC AND SHOULD NOT BE USED WITHOUT WRITTEN PERMISSION

DIMENSION UNITS	SCALE	CURRENT REV DESC:
mm	NTS	
GENERAL TOLERANCES (UNLESS SPECIFIED)		
ANGULAR TOL	± 3.0°	EC NO: 625372
4 PLACES	± 0.2	DRWN: SOBARA01 2019/09/30
3 PLACES	± 0.2	CHK'D: KOMURAKAMI 2019/10/10
2 PLACES	± 0.2	APPR: AIDA 2019/10/15
1 PLACE	± 0.2	INITIAL REVISION:
0 PLACES	± 0.2	DRWN: SOBARA01 2018/10/18
		APPR: TKANEKO 2018/10/30
DRAFT WHERE APPLICABLE MUST REMAIN WITHIN DIMENSIONS	THIRD ANGLE PROJECTION	DRAWING SERIES
		A2-SIZE 53048
MATERIAL NUMBER	CUSTOMER	SHEET NUMBER
SEE CHART	GENERAL	1 OF 1

**molex**

PICOBLADE 1.25  
HEADER ASSY DIP R/A GOLD PLATING TYPE

PRODUCT CUSTOMER DRAWING

DOCUMENT NUMBER	DOC TYPE	DOC PART	REVISION
530480000-SD	PSD	000	B