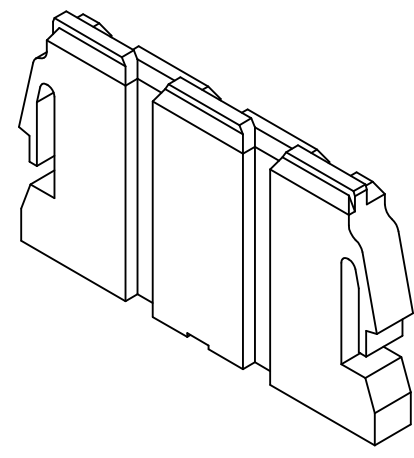
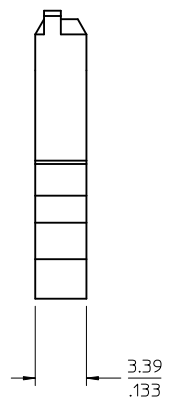
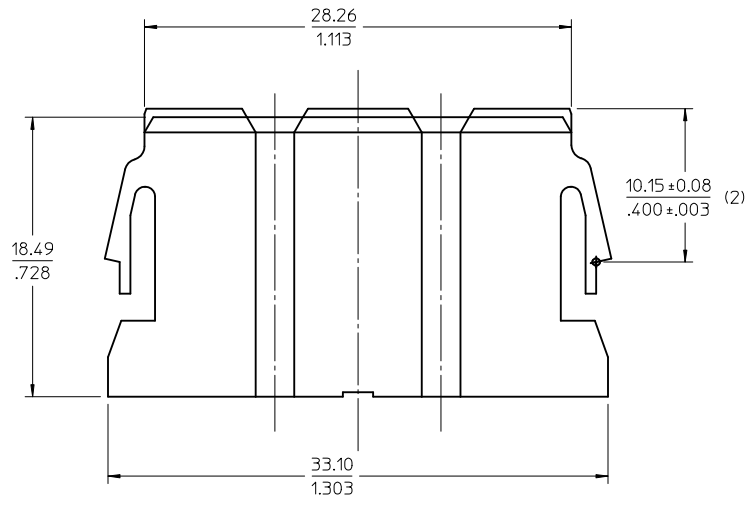


- NOTES:
1. MATERIAL: PBT UNFILLED 89992-0074
COLOR: BLACK
 2. HOUSING FOR USE WITH HOUSING SERIES 46818
 3. PART IS ROHS COMPLIANT



REVISED MATL NOTE EC NO: UCP2012-3021 DRWN: JUILLES 2012/04/18 CHKD:MKRADI/MAS 2012/04/18 APPR:APATEL 2012/05/15	QUALITY SYMBOLS	GENERAL TOLERANCES (UNLESS SPECIFIED)		DIMENSION STYLE		SCALE	DESIGN UNITS	THIRD ANGLE PROJECTION		
	∇=0 ∇=0 ∇=0			MM/IN		4:1	METRIC			
		4 PLACES	± ---	± ---	DRAWN BY	DATE	TITLE GUARDIAN TPA 3 CKT			
		3 PLACES	± ---	± .005	MDATA	2009/3/09				
2 PLACES	± 0.13	± ---	CHECKED BY	DATE	MOLEX INCORPORATED					
1 PLACE	± ---	± ---	APATEL	2009/3/09						
	ANGULAR ±1/2°		APPROVED BY	DATE	MATERIAL NO.		DOCUMENT NO.			
	DRAFT WHERE APPLICABLE MUST REMAIN WITHIN DIMENSIONS		APATEL	2012/01/24	46821-0001		SD-46821-001			
REV D	DESCRIPTION	SIZE		THIS DRAWING CONTAINS INFORMATION THAT IS PROPRIETARY TO MOLEX INCORPORATED AND SHOULD NOT BE USED WITHOUT WRITTEN PERMISSION						
		C						SHEET NO. 1 OF 1		