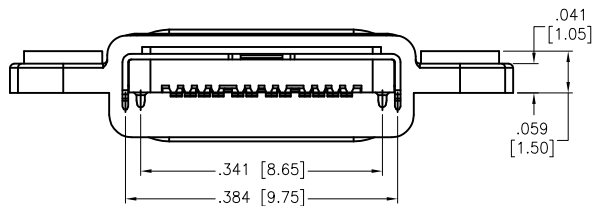
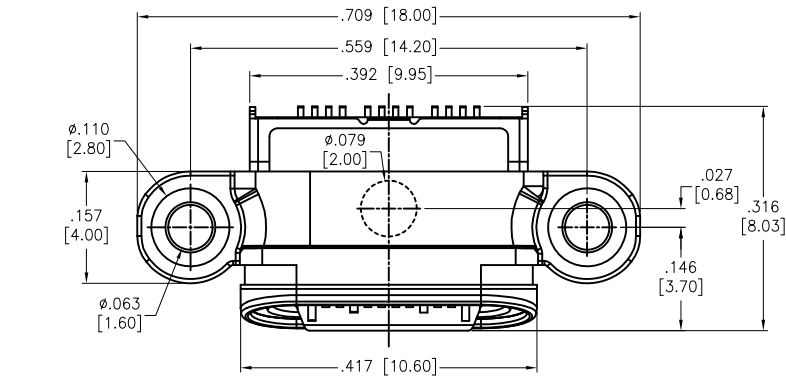
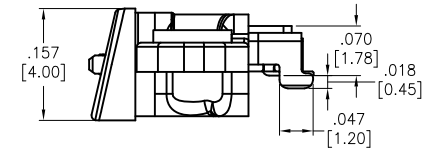
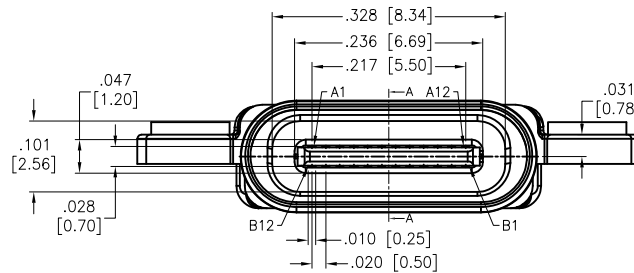


APPROVED: \_\_\_\_\_  
 DATE: \_\_\_\_\_ TITLE: \_\_\_\_\_

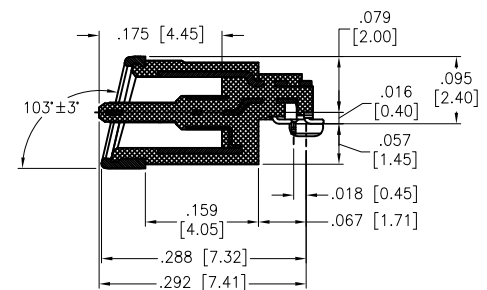
|     |       |             |         |      |
|-----|-------|-------------|---------|------|
| Rev | AWO # | Description | Date    | Appr |
| -   |       | RELEASED    | 11/1/19 |      |



BACK VIEW



BACK VIEW



SECTION A-A

**SPECIFICATIONS:**

Material:  
 Insulator: Hi-temp thermoplastic, rated UL 94V-0  
 Insulator color: Black  
 Contacts: Copper Alloy  
 Shielding: Stainless Steel, Nickel plated  
 Shell: Stainless Steel, Nickel plated  
 EMI Shell: Stainless Steel  
 Plating:  
 Gold flash over Nickel underplate overall  
 Electrical:  
 Current rating: 6A (Vbus & GND Contacts)  
 Contact resistance: 40 mohms max  
 Insulation resistance: 100 Mohms min  
 Dielectric withstanding voltage: 100 VAC for 1 minute  
 Environmental:  
 Lead free, RoHS compliant.



UNLESS OTHERWISE SPECIFIED  
 ALL DIMENSIONS ARE INCHES [MM]  
 TOLERANCES: EXCEPT AS NOTED

|             |              |
|-------------|--------------|
| INCHES      | HOLES        |
| .X ± .10    | Ø.X ± .10    |
| .XX ± .020  | Ø.XX ± .015  |
| .XXX ± .015 | Ø.XXX ± .010 |

|           |    |         |
|-----------|----|---------|
| APPROVALS |    | DATE    |
| DRAWN     | AY | 11/1/19 |
| CHECKED   | KL | 11/1/19 |
| APPROVED  |    |         |

**ADAM TECH INTERCONNECTS** 909 Rahway Avenue,  
 Union, NJ 07083  
 Phone: 908-687-5000  
 Fax: 908-687-5710

TITLE: **USB TYPE C, FEMALE, WATER PROOF,  
 EDGE HANG TYPE, WITH FLANG**

|              |                              |              |
|--------------|------------------------------|--------------|
| SIZE         | PART NO.                     | REV.         |
| X            | USB-C31-S-RA-EH-WP-WF-BK-CS5 | -            |
| REF: S00288T | SCALE: NTS                   | SHEET 1 OF 2 |

6 5 4 3 2 1

APPROVED: \_\_\_\_\_  
 DATE: \_\_\_\_\_ TITLE: \_\_\_\_\_

| Rev                         | AWO # | Description | Date | Appr |
|-----------------------------|-------|-------------|------|------|
| SEE SHT 1 OF 2 FOR REVISION |       |             |      |      |

RECOMMENDED PCB LAYOUT

| Pin | Signal Name | Description  | Mating Sequence | Pin | Signal Name | Description  | Mating Sequence |
|-----|-------------|--|-----------------|-----|-------------|--|-----------------|
| A1  | GND         | Ground return  | First           | B12 | GND         | Ground return  | First           |
| A2  | SSTXp1      | Positive half of first SuperSpeed TX differential pair   | Second          | B11 | SSRXp1      | Positive half of first SuperSpeed RX differential pair   | Second          |
| A3  | SSTXn1      | Negative half of first SuperSpeed TX differential pair   | Second          | B10 | SSRXn1      | Negative half of first SuperSpeed RX differential pair   | Second          |
| A4  | VBUS        | Bus Power  | First           | B9  | VBUS        | Bus Power  | First           |
| A5  | CC1         | Configuration Channel                                    | Second          | B8  | SBU2        | Sideband Use   | Second          |
| A6  | Dp1         | Positive half of the USB2.0 differential pair-Position 1 | Second          | B7  | Dn2         | Negative half of the USB2.0 differential pair-Position 2 | Second          |
| A7  | Dn1         | Negative half of the USB2.0 differential pair-Position 1 | Second          | B6  | Dp2         | Positive half of the USB2.0 differential pair-Position 2 | Second          |
| A8  | SBU1        | Sideband Use   | Second          | B5  | CC2         | Configuration Channel                                    | Second          |
| A9  | VBUS        | Bus Power  | First           | B4  | VBUS        | Bus Power  | First           |
| A10 | SSRXn2      | Negative half of second SuperSpeed RX differential pair  | Second          | B3  | SSTXn2      | Negative half of second SuperSpeed TX differential pair  | Second          |
| A11 | SSRXp2      | Positive half of second SuperSpeed RX differential pair  | Second          | B2  | SSTXp2      | Positive half of second SuperSpeed TX differential pair  | Second          |
| A12 | GND         | Ground return  | First           | B1  | GND         | Ground return  | First           |

UNLESS OTHERWISE SPECIFIED  
 ALL DIMENSIONS ARE INCHES [MM]  
 TOLERANCES: EXCEPT AS NOTED  
 INCHES HOLES

|             |              |
|-------------|--------------|
| .X ± .10    | Ø.X ± .10    |
| .XX ± .020  | Ø.XX ± .015  |
| .XXX ± .015 | Ø.XXX ± .010 |

**ADAM TECH INTERCONNECTS**  
 909 Rahway Avenue,  
 Union, NJ 07083  
 Phone: 908-687-5000  
 Fax: 908-687-5710

| APPROVALS |    | DATE    |
|-----------|----|---------|
| DRAWN     | AY | 11/1/19 |
| CHECKED   | KL | 11/1/19 |
| APPROVED  |    |         |

|  |  |              |
|--|--|--------------|
| TITLE<br>USB TYPE C, FEMALE, WATER PROOF, EDGE HANG TYPE, WITH FLANG |  |              |
| SIZE<br>X  | PART NO.<br>USB-C31-S-RA-EH-WP-WF-BK-CS5 | REV.<br>-    |
| REF: S00288T   | SCALE: NTS                               | SHEET 2 OF 2 |

6 5 4 3 2 1