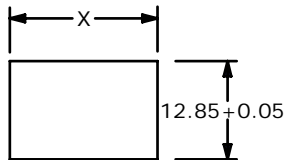


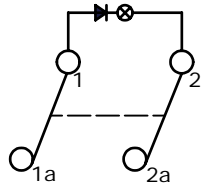
INCANDESCENT

PARAMETERS	SYMBOL	MAX.	UNITS
LAMP VOLTAGE (AC)	V	24	V
STARTUP VOLTAGE	V _s	95	V
CURRENT	I	0.8	mA
SERIES RESISTANCE (125V)	R	120	OMHS



RECOMMENDED PANEL MOUNTING

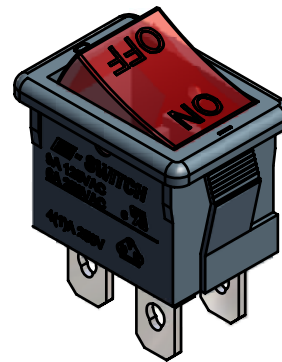
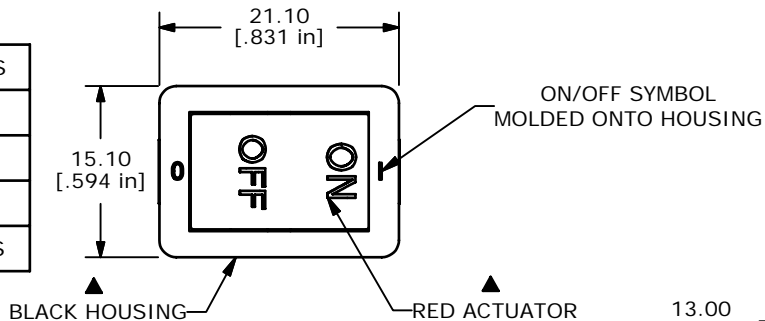
PANEL THICKNESS	X
0.75-1.25	19.2-19.3
1.25-2.00	19.3-19.4
2.00-3.00	19.5-19.6



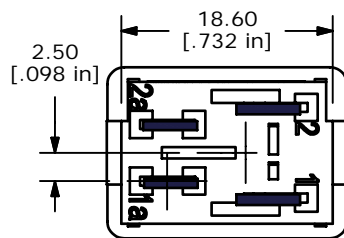
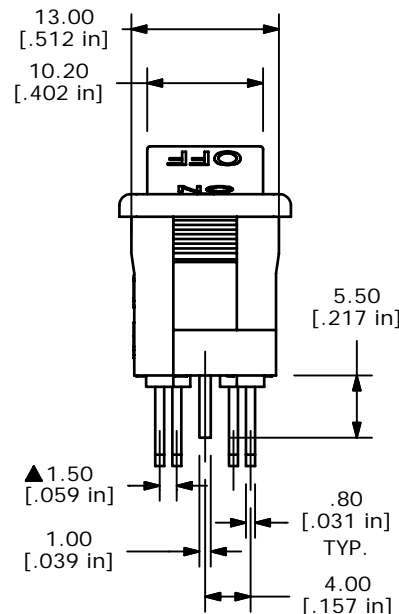
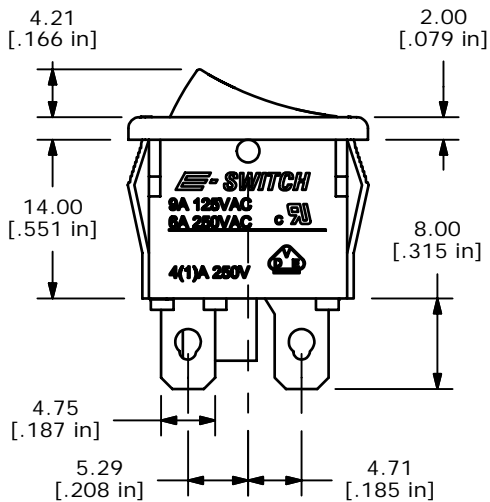
CIRCUIT: DPST

NOTES:

- ALL DIMENSIONS IN MM [INCH]
- GENERAL TOLERANCE: X.X=±0.4
X.XX=±0.25
- RATING:
6A @250VAC; 9A @125VAC (UL, CSA, VDE)
- LAMP VOLTAGE: 125V AC
- MATERIAL:
CONTACT SURFACE: COIN SILVER, SILVER PLATE
TERMINAL: COPPER ALLOY W/SILVER PLATE.
- CONTACT RESISTANCE: 20mILLIOHMS TYP. INITIAL
- INSULATION RESISTANCE: 1000MEGAOHMS
- DIELECTRIC STRENGTH:
>1500V RMS min. @SEA LEVEL
- MECHANICAL LIFE: 30,000 CYCLES.
- ELECTRICAL LIFE: 10,000 CYCLES
- ▲ DENOTES CRITICAL PARAMETER.
- 2002/95/EC (ROHS) COMPLIANT



ISOMETRIC



TITLE R1973BBLKRILIF1

A	17524	RELEASED FOR PRODUCTION	8/1/07	BF
REV	PCR NO	DESCRIPTION	DATE	BY

THE INFORMATION CONTAINED IN THIS DOCUMENT IS PROPRIETARY TO E-SWITCH AND IS NOT TO BE COPIED OR TRANSFERRED

SCALE	DATE	DR	DWG	REV
1.5:1	8/1/2007	BF	M401129	A