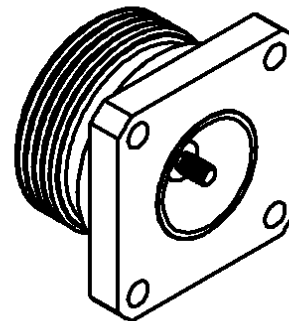
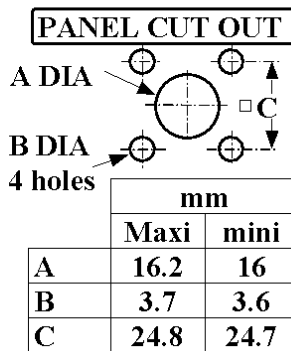
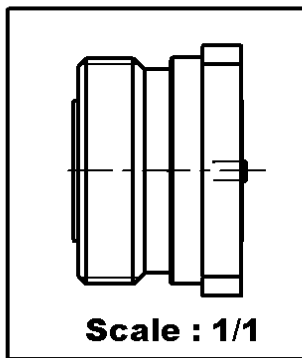
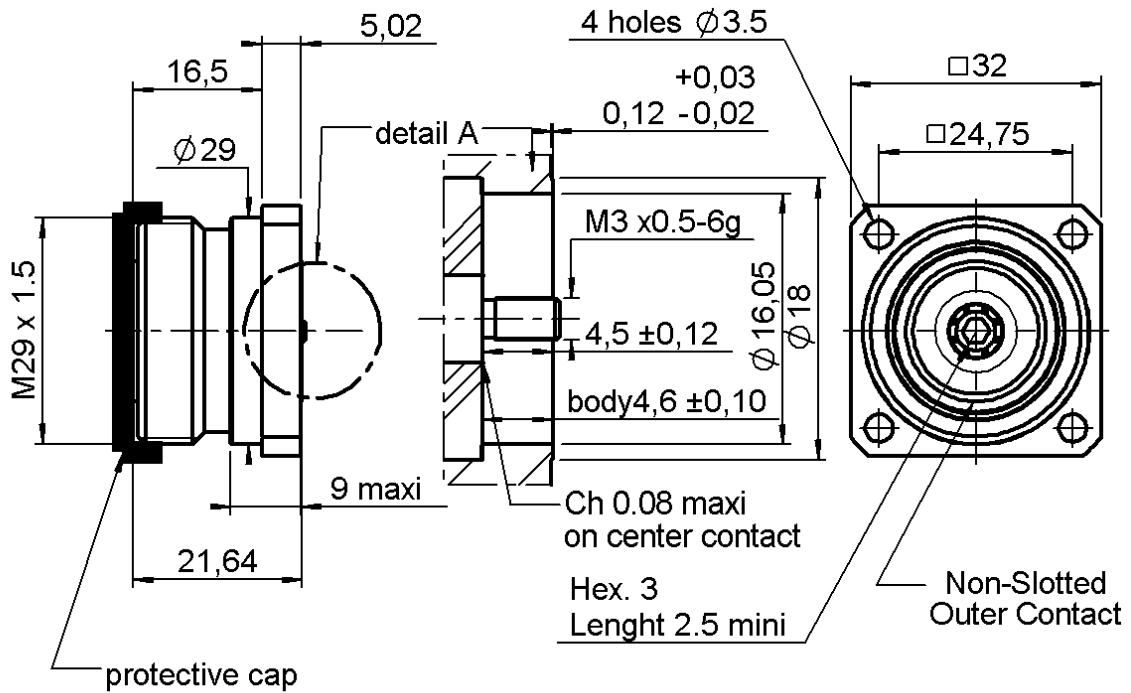


**SQUARE FLANGE RECEPTACLE**  
**M3 REAR MOUNTING .PACKAGING50**

**R185.406.090**

Series : 7-16



All dimensions are in mm.

COMPONENTS	MATERIALS	PLATINGS ( $\mu\text{m}$ )
BODY	BRASS	BBR 0.5 OVER SILVER 3
CENTER CONTACT	BRONZE	SILVER 5 PASSIVATED OVER COPPER 0.5
OUTER CONTACT	BRASS	SILVER 5 PASSIVATED OVER COPPER 0.5
INSULATOR	PTFE	
GASKET		
OTHERS PARTS		
-	-	-
-	-	-

Issue : 0330 A

In the effort to improve our products, we reserve the right to make changes judged to be necessary.



**SQUARE FLANGE RECEPTACLE**  
**M3 REAR MOUNTING .PACKAGING50**

**R185.406.090**

Series : 7-16

**PACKAGING**

**SPECIFICATION**

Standard	Unit	Other
<b>50</b>	<b>'W' option</b>	<b>Contact us</b>

**ELECTRICAL CHARACTERISTICS**

**ENVIRONMENTAL**

Impedance **50** Ω  
 Frequency **0-7.5** GHz  
 VSWR **1.02 + 0.020** x F(GHz) Maxi  
 Insertion loss **0.05** √F(GHz) dB Maxi  
 RF leakage - ( **NA** - F(GHz)) dB Maxi  
 Voltage rating **1400** Veff Maxi  
 Dielectric withstanding voltage **4000** Veff mini  
 Insulation resistance **10000** MΩ mini

Operating temperature **-55/+120** ° C  
 Hermetic seal **NA** Atm.cm3/s  
 Panel leakage **NA**

**OTHERS CHARACTERISTICS**

Assembly instruction **NA**

Others :  
 Intermod: -125dbm over 2x20W carriers  
 Typical VSWR at 2.2GHz: 1.03

**MECHANICAL CHARACTERISTICS**

Center contact retention  
 Axial force – Mating end **200** N mini  
 Axial force – Opposite end **NA** N mini  
 Torque **NA** N.cm mini

Recommended torque  
 Mating **NA** N.cm  
 Panel nut **NA** N.cm

Mating life **500** Cycles mini  
 Weight **79.100** g

Issue : 0330 A

In the effort to improve our products, we reserve the right to make changes judged to be necessary.

