

SAW Filter 831.50MHz
Part No: MP06807

Model: TA1494A
Rev No: 1

A. MAXIMUM RATING:

Electrostatic Sensitive Device (ESD)

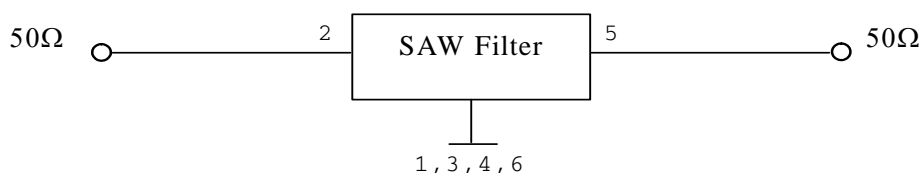
1. Input Power Level: 15dBm
2. DC voltage: 5V
3. Operating Temperature: -30°C to +85°C
4. Storage Temperature: -40°C to +85°C

B. ELECTRICAL CHARACTERISTICS:

| Item | Unit | Min. | Typ. | Max. |
|--|------|------|-------|------|
| Center frequency Fc | MHz | - | 831.5 | - |
| Insertion Loss (814 ~ 849MHz) IL | dB | - | 3 | 4.2 |
| Amplitude Ripple (814 ~ 849MHz) | dB | - | 1.1 | 2.6 |
| VSWR (814 ~ 849MHz) | - | - | 2.5 | 2.6 |
| Attenuation (Reference level from 0dB) | | | | |
| DC ~ 794MHz | dB | 30 | 46 | - |
| 869 ~ 900MHz | dB | 20 | 31 | - |
| 900 ~ 2300MHz | dB | 25 | 33 | - |
| 2300 ~ 2600MHz | dB | 25 | 30 | - |
| 2600 ~ 2800MHz | dB | 20 | 29 | - |
| 2800 ~ 3200MHz | dB | 5 | 26 | - |
| 3200 ~ 6000MHz | dB | 2 | 4 | - |

C. MEASUREMENT CIRCUIT:

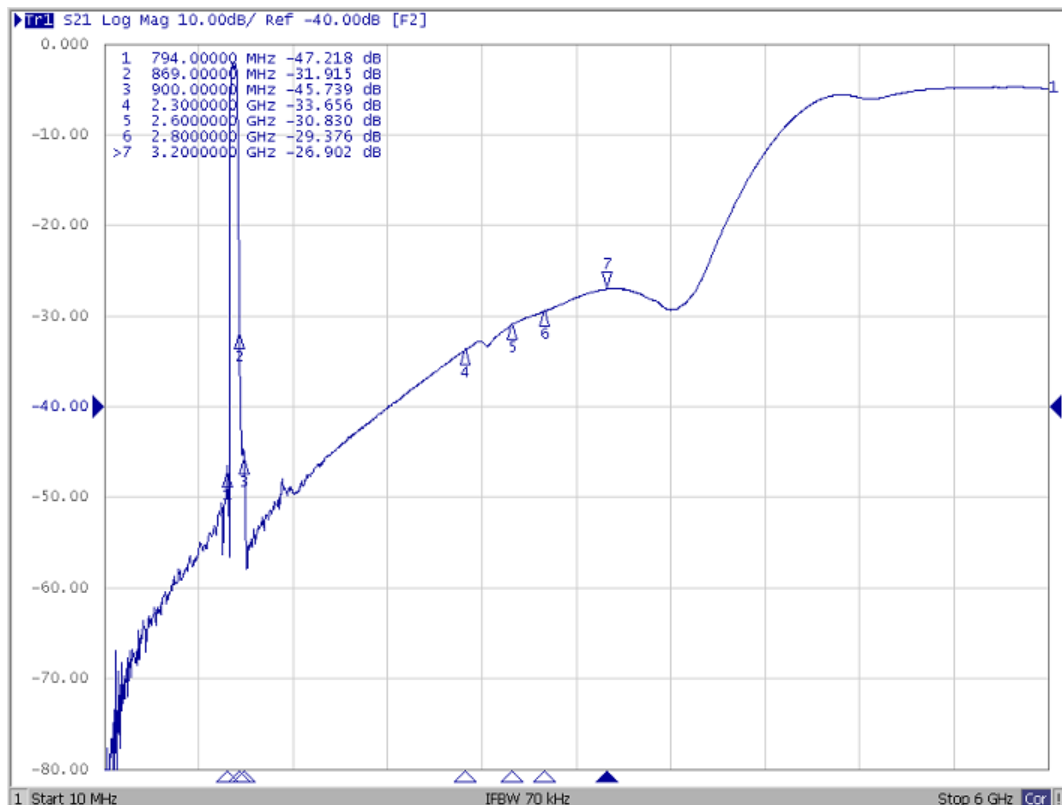
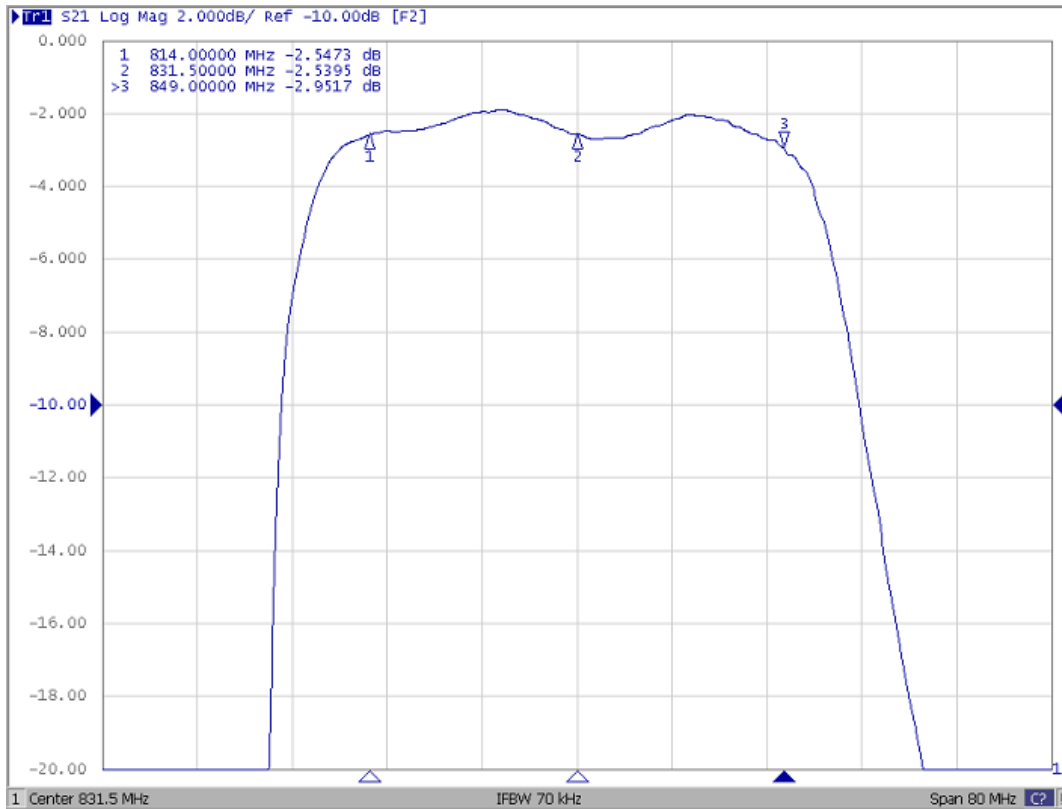
HP Network analyzer



SAW Filter 831.50MHz
Part No: MP06807

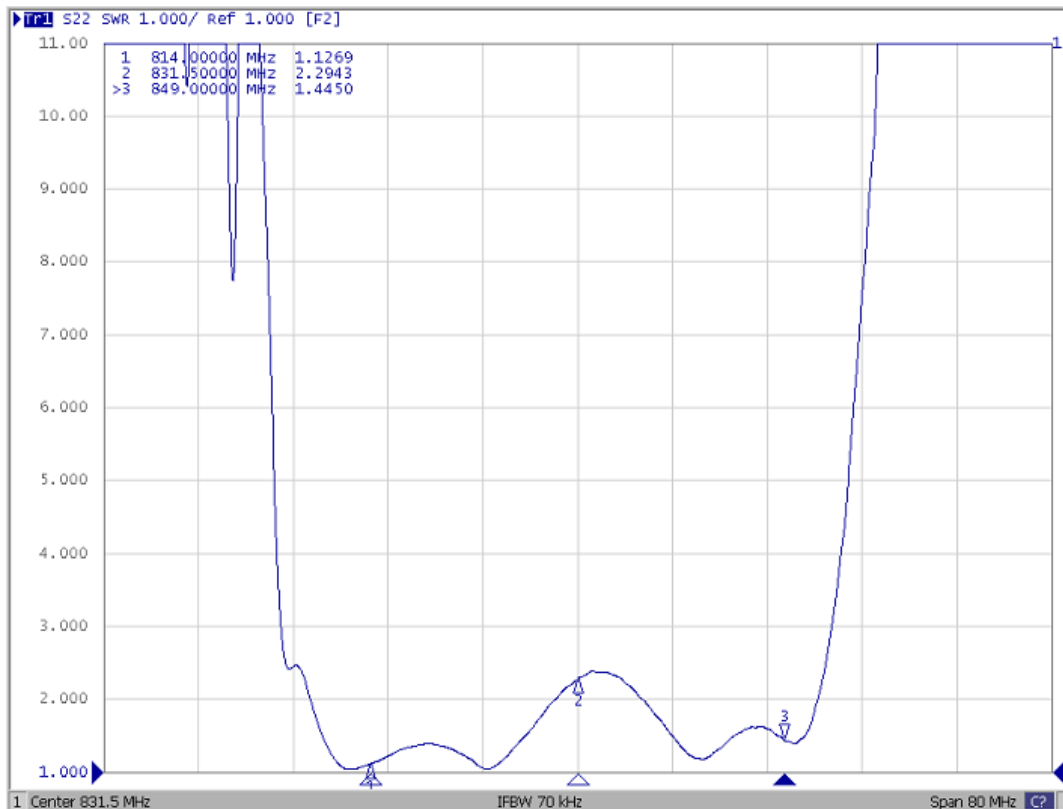
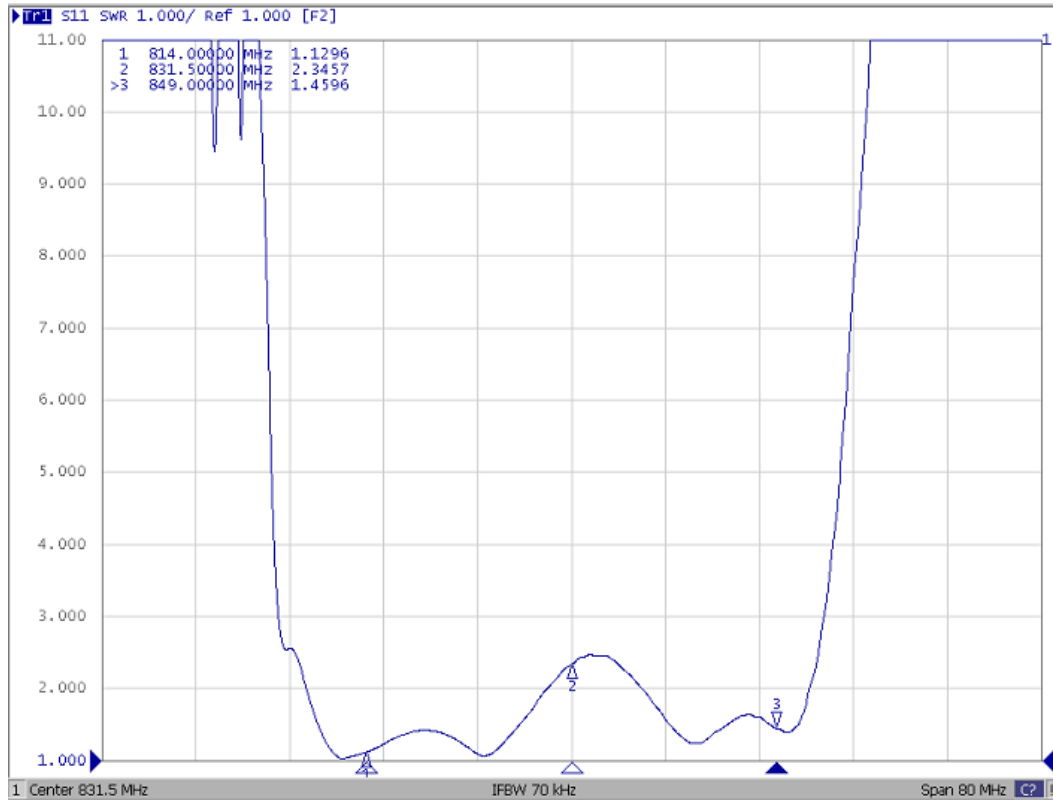
Model: TA1494A
Rev No: 1

D. FREQUENCY CHARACTERISTICS:



SAW Filter 831.50MHz
Part No: MP06807

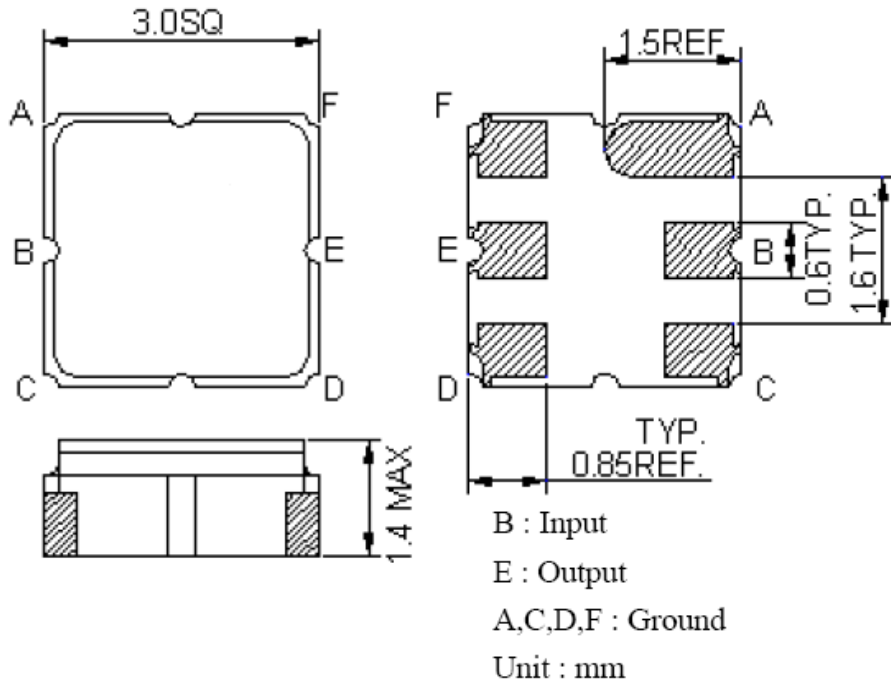
Model: TA1494A
Rev No: 1



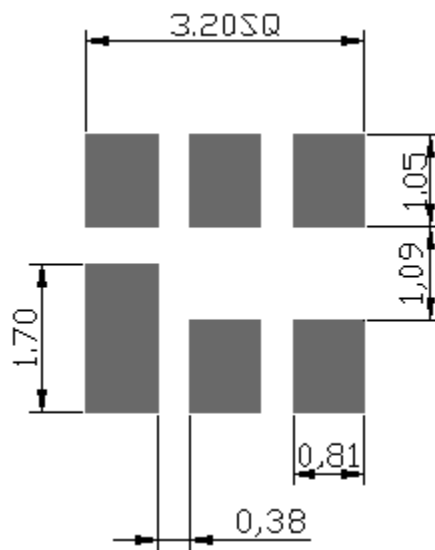
SAW Filter 831.50MHz
Part No: MP06807

Model: TA1494A
Rev No: 1

E. OUTLINE DRAWING:



F. PCB FOOTPRINT:

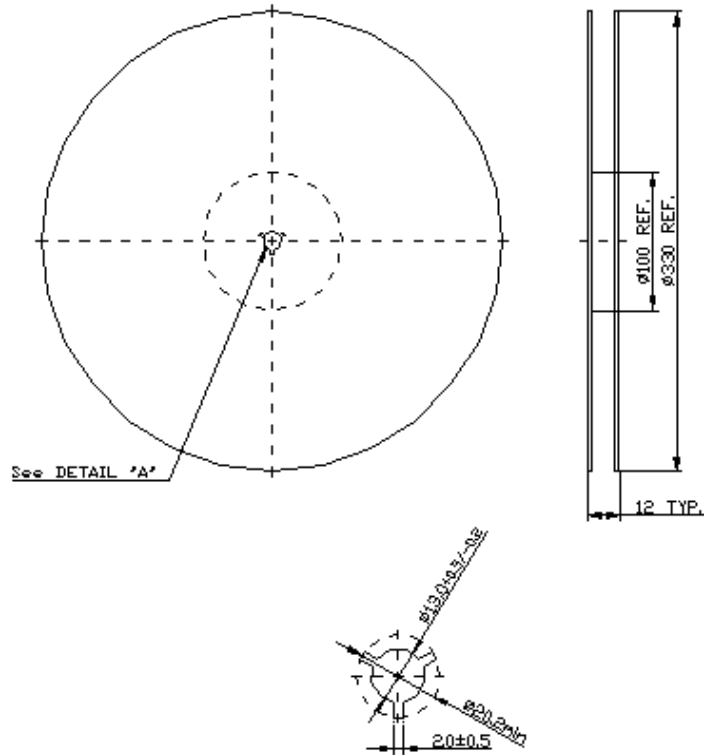


SAW Filter 831.50MHz
Part No: MP06807

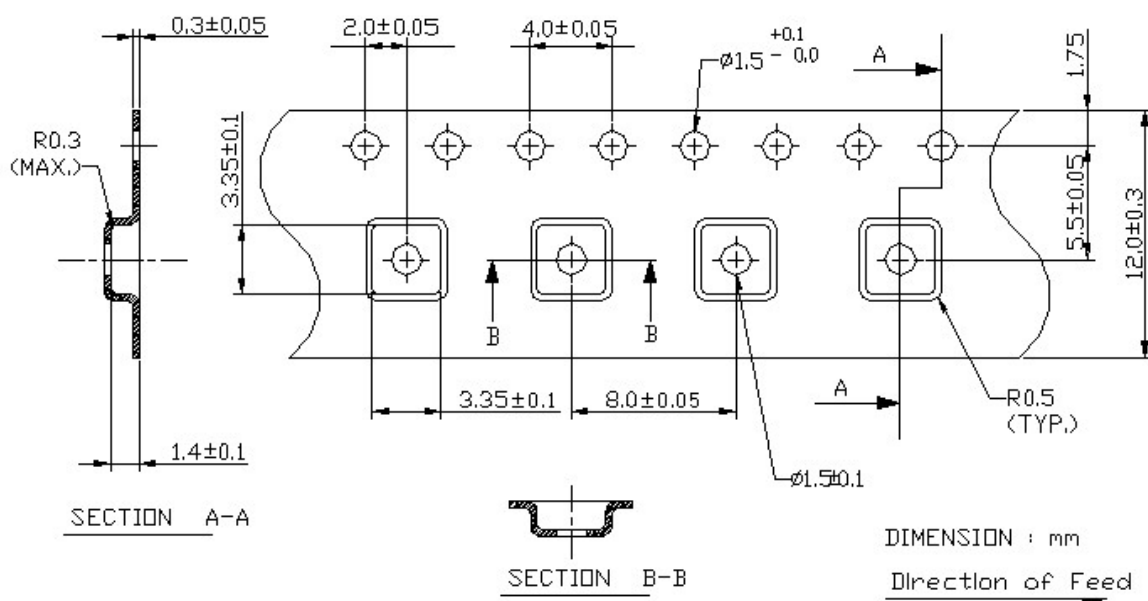
Model: TA1494A
Rev No: 1

G. PACKING:

1. Reel Dimension



2. Tape Dimension



SAW Filter 831.50MHz
Part No: MP06807

Model: TA1494A
Rev No: 1

H. RECOMMENDED REFLOW PROFILE:

