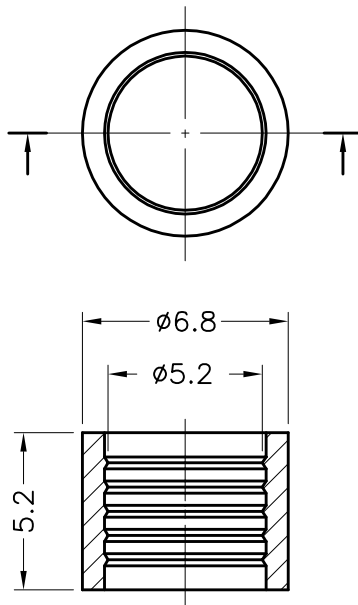


| 成型尺寸 | 公差 |
|----------|------|
| 5mm 以下 | ±0.2 |
| 5~20mm | ±0.3 |
| 20~40mm | ±0.4 |
| 40~60mm | ±0.5 |
| 60~100mm | ±0.8 |
| 100mm 以上 | ±1.0 |

| REVISIONS | | | |
|-----------|-------------|------|----|
| REV | DESCRIPTION | DATE | BY |
| | | | |
| | | | |



| PART NO. | MATERIAL | COLOR |
|-------------|------------------|---------|
| LC3-1T | NYLON 66 UL94V-2 | NATURAL |
| LC3-1T(B) | NYLON 66 UL94V-2 | BLACK |
| LC3-1TV0(B) | NYLON 66 UL94V-0 | BLACK |


康揚企業股份有限公司
 KANG YANG HARDWARE ENTERPRISE CO., LTD.
東莞康揚塑膠五金電子廠
 DONG GUAN KANG YANG PLASTIC HARDWARE COMPANY
康哲電腦配件(吳江)有限公司
 KANG CHE COMPUTER COMPONENTS(WUJIANG) CO.,LTD.

| | | |
|--------------------------------------|-----------|--------------------|
| TITLE | LED座套 | 產品規格圖面 |
| MATERIAL | SEE ABOVE | DATE 2002.09.30 |
| FINISH | | DRAWN JASON |
| COLOR | SEE ABOVE | CHECK |
| UNLESS OTHERWISE SPECIFIED TOLERANCE | SEE ABOVE | APPROVED |

| | | | |
|-------------|-----------|----------------|--------|
| PART NUMBER | SEE ABOVE | DRAWING NUMBER | LC3-1T |
| SIZE | A4 | SCALE | 4:1 |
| UNIT | mm | REV | A |