



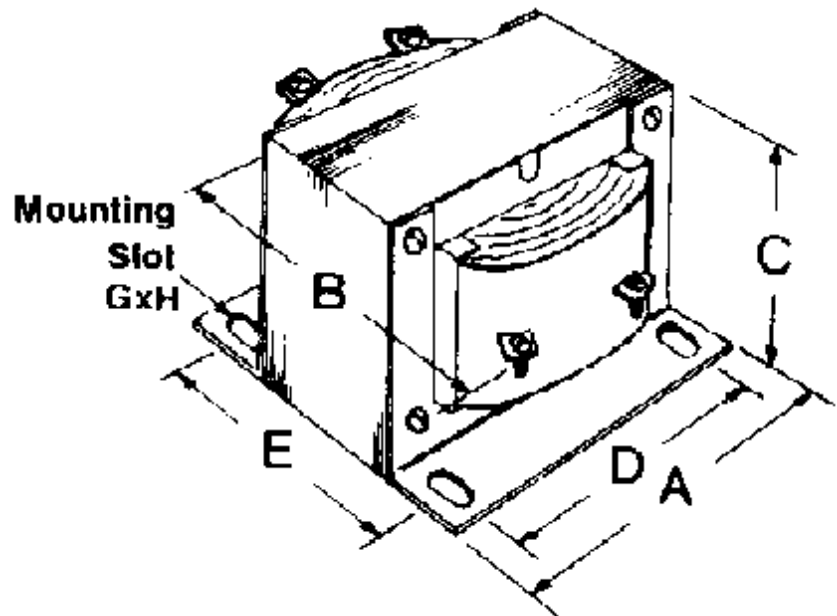
Quality Products. Service Excellence.

## Potential Transformer Instrument *EX-HX-VT Series*

### Features



- Used (with 150 Volt full scale A.C. voltmeters) to measure the voltage of 240, 480 or 600 VAC systems.
- Primary insulated for 4.0 KV rms test, suitable for L.V. switchgear and motor control use.
- 50/60 Hz. operation.
- Open construction - "Type H".
- CSA certified (209651).
- The nominal line voltages of 240 and 480 volts may be exceeded by 25% for 60 Hz. operation.
- Insulation system 55 degree C rise, Class 105.



| Part No. | Nominal Line |  | Ratio   | Accuracy |      | Thermal | Overall Dimensions |      |      | Mounting Centers |      | Mounting Slot |      | Ship Wt.<br>Lb. |
|----------|--------------|--|---------|----------|------|---------|--------------------|------|------|------------------|------|---------------|------|-----------------|
|          | Voltage      |  |         | %        | VA   |         | Rating             | A    | B    | C                | D    | E             | G    |                 |
| VT55A    | 240          |  | 240:120 | 1.2      | 0-8  | 50      | 3.00               | 3.25 | 2.56 | 2.50             | 2.50 | 0.22          | 0.44 | 3               |
| HX54A    | 240          |  | 240:120 | 1.2      | 0-20 | 100     | 3.75               | 4.00 | 3.13 | 3.13             | 3.13 | 0.22          | 0.44 | 6.6             |
| VT56A    | 347          |  | 347:120 | 1.2      | 0-8  | 50      | 3.00               | 3.25 | 2.56 | 2.50             | 2.50 | 0.22          | 0.44 | 3               |
| VT57A    | 480          |  | 480:120 | 1.2      | 0-8  | 50      | 3.00               | 3.25 | 2.56 | 2.50             | 2.50 | 0.22          | 0.44 | 3               |
| HX74A    | 480          |  | 480:120 | 1.2      | 0-20 | 100     | 3.75               | 4.00 | 3.13 | 3.13             | 3.13 | 0.22          | 0.44 | 6.6             |
| VT59A    | 600          |  | 600:120 | 1.2      | 0-8  | 50      | 3.00               | 3.25 | 2.56 | 2.50             | 2.50 | 0.22          | 0.44 | 3               |
| HX94A    | 600          |  | 600:120 | 1.2      | 0-20 | 100     | 3.75               | 4.00 | 3.13 | 3.13             | 3.13 | 0.22          | 0.44 | 6.6             |

Data subject to change without notice

