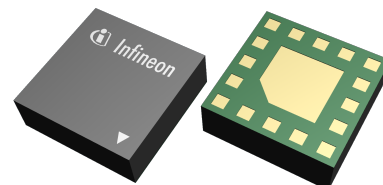


BGSX33M5U16

3P3T antenna cross switch with MIPI RFFE control interface

Features

- High linearity up to 38 dBm peak power
- Fast switching time (max 2 μ s) for 5G SRS applications
- Low insertion loss and high port to port isolation up to 7.125 GHz
- Low power consumption allows to use MIPI RFFE supply
- MIPI RFFE 2.1 control interface
- Software and hardware programmable USID
- Ultra low profile lead-less plastic package (MSL-1, 260 °C per IPC/JEDEC J-STD-20)



Potential applications

- Triple antenna routing/swapping for cellular mobile devices
- Triple antenna routing/swapping for 5G SRS application
- GSM, WCDMA, LTE and 5G FR1 applications
- 4x4 MIMO applications
- SAR reduction

Product validation

Qualified for industrial applications according to the relevant tests of JEDEC47/20/22.

Description

The BGSX33M5U16 RF CMOS switch is specifically designed for LTE and 5G FR1 three-antenna applications. This Triple Pole Triple Throw (3P3T) cross-switch offers low insertion loss and low harmonic generation.

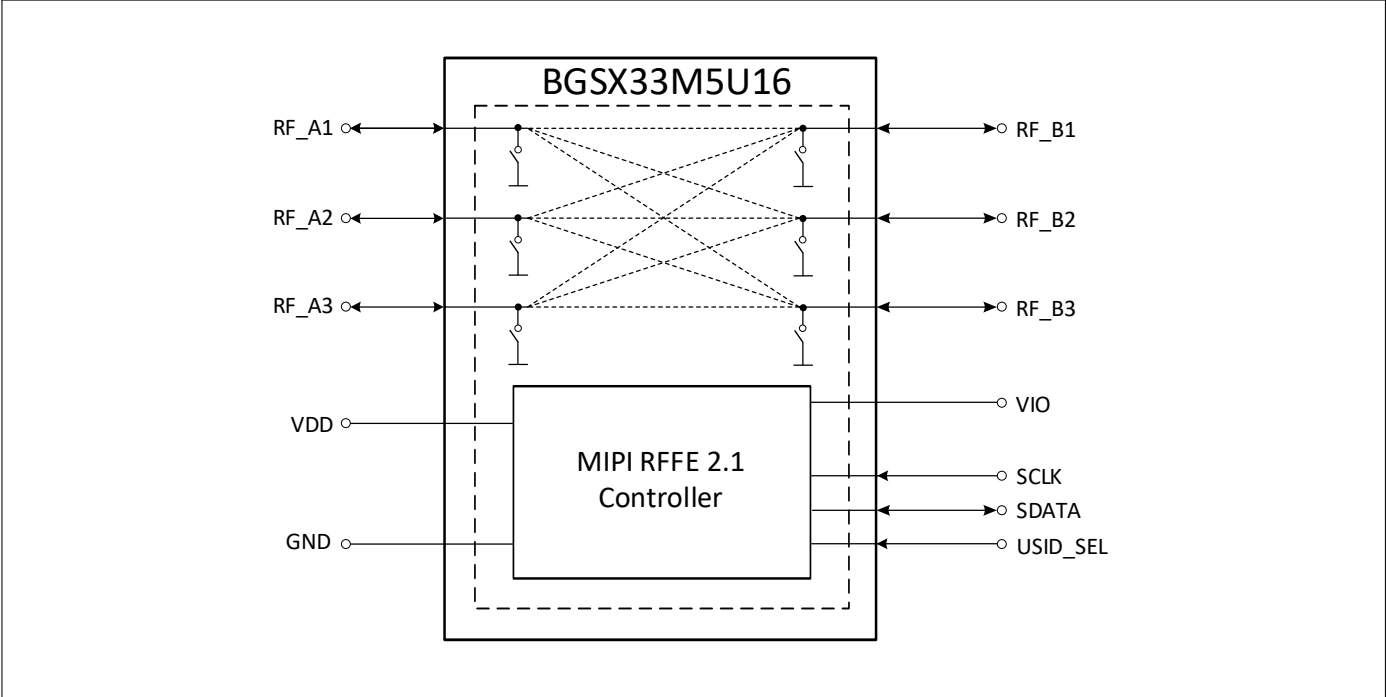
The switch is controlled via a MIPI RFFE control interface. The on-chip controller allows power-supply voltages from 1.65 to 1.95 V. Unlike GaAs technology, external DC blocking capacitors at the RF ports are only required if DC voltage is applied externally. The device has a very small size of only 2.0 mm x 2.0 mm and a thickness of 0.6 mm.

Type	Marking	Package	Ordering Information
BGSX33M5U16	53	PG-ULGA-16-5	BGSX 33M5U16 E6327

BGSX33M5U16

3P3T antenna cross switch with MIPI RFFE control interface

Block diagram



BGSX33M5U16

3P3T antenna cross switch with MIPI RFFE control interface

Table of Contents

Table of Contents

1	Absolute maximum ratings	4
2	Operation ranges and general characteristics	5
3	RF characteristics	6
4	MIPI RFFE specification	12
5	Application information	19
6	Package Information	21
	Revision history	24
	Disclaimer	25

Absolute maximum ratings

1 Absolute maximum ratings

Table 1: Absolute maximum ratings at $T_A = 25\text{ }^\circ\text{C}$, unless otherwise specified

Parameter	Symbol	Values			Unit	Note / Test condition
		Min.	Typ.	Max.		
Supply voltage	V_{DD}	-0.3	–	2.2	V	–
Abs-Max RF input power	$P_{RF,max}$	–	–	39	dBm	Duty cycle of 25 %, frequency 0.4–7.125 GHz, VSWR 1:1
ESD robustness, HBM ¹⁾	$V_{ESD,HBM}$	-2	–	+2	kV	–
ESD robustness, CDM ²⁾	$V_{ESD,CDM}$	-1	–	+1	kV	–
Maximum DC-voltage on RF ports and RF-ground	V_{RFDC}	0	–	0	V	There is also a DC connection between switched paths. The DC voltage at RF ports V_{RFDC} has to be 0 V
RFFE supply voltage	V_{IO}	-0.3	–	2.2	V	–
RFFE control voltage levels	V_{SCLK} , V_{SDATA} , V_{USID_SEL}	-0.3	–	$V_{IO} + 0.5$	V	–
Storage temperature range	T_{STG}	-55	–	150	$^\circ\text{C}$	–
Junction temperature	T_j	-40	–	125	$^\circ\text{C}$	–

¹⁾Human Body Model ANSI/ESDA/JEDEC JS-001 ($R = 1.5\text{ k}\Omega$, $C = 100\text{ pF}$).

²⁾Field-Induced Charged-Device Model ANSI/ESDA/JEDEC JS-002. Simulates charging/discharging events that occur in production equipment and processes. Potential for CDM ESD events occurs whenever there is metal-to-metal contact in manufacturing.

Warning: Stresses above the maximum values listed in Table 1 may cause permanent damage to the device. Maximum ratings are absolute ratings; exceeding only one of these values may cause irreversible damage to the integrated circuit. Exposure to conditions at or below absolute maximum rating but above the maximum operation conditions specified in Table 2 may affect device reliability and life time. Functionality of the device might not be given under these conditions.

2 Operation ranges and general characteristics

Table 2: Operation ranges

Parameter	Symbol	Values			Unit	Note / Test condition
		Min.	Typ.	Max.		
Max RF input power	$P_{RF,max}$	–	–	38	dBm	Peak envelope power of a 5G NR signal ¹⁾ , frequency 0.4–7.125 GHz, VSWR 1:1
		–	–	37	dBm	Pulsed RF input power, duty cycle of 25 % with $T_{period} = 4615 \mu s$, through-path, frequency 0.4–7.125 GHz, VSWR 1:1
Supply voltage	V_{DD}	1.6	1.8	1.95	V	For single supply operation ($V_{DD} = V_{IO}$ respectively V_{DD} connected to V_{IO}): $V_{DD,min} = 1.65 V$ and $V_{DD,max} = 1.95 V$
RFFE supply voltage	V_{IO}	1.65	1.8	1.95	V	–
Ambient temperature	T_A	-40	25	85	°C	–

¹⁾MCS 27 (256 QAM) OFDM, 60 kHz sub carrier spacing, 100 MHz bandwidth, RMS power is 9 dB below peak power.

Table 3: General characteristics

Parameter	Symbol	Values			Unit	Note / Test condition
		Min.	Typ.	Max.		
Supply current	I_{DD}	–	0.04	2.5	μA	Low-power mode
		–	25	40	μA	Active mode, $P_{RF} = 0 \text{ dBm}$
RFFE input high voltage ¹⁾	V_{IH}	$0.7 \cdot V_{IO}$	–	V_{IO}	V	–
RFFE input low voltage ¹⁾	V_{IL}	0	–	$0.3 \cdot V_{IO}$	V	–
RFFE output high voltage ¹⁾	V_{OH}	$0.8 \cdot V_{IO}$	–	V_{IO}	V	–
RFFE output low voltage ¹⁾	V_{OL}	0	–	$0.2 \cdot V_{IO}$	V	–
RFFE control input capacitance	C_{Ctrl}	–	2	3	pF	at SCLK, SDATA, and USID_SEL
RFFE supply current	I_{IO}	–	0.025	12	μA	Idle mode without SCLK and SDATA activity/traffic

¹⁾Valid for SDATA, SCLK, and USID_SEL

RF characteristics

3 RF characteristics

Table 4: RF characteristics at $T_A = -40\text{ }^{\circ}\text{C} \dots 85\text{ }^{\circ}\text{C}$, $P_{RF} = 0\text{ dBm}$, $V_{DD} = 1.6\text{ V} \dots 1.95\text{ V}$, unless otherwise specified

Parameter	Symbol	Values			Unit	Note / Test condition
		Min.	Typ.	Max.		
Insertion loss¹⁾ at 25°C						
RF_Ax — RF_By all other paths off x,y={1,..,3}	$IL_{RF_Ax-RF_By}$	–	0.41	0.48	dB	600–960 MHz
		–	0.44	0.51	dB	1160–1300 MHz
		–	0.46	0.54	dB	1400–1700 MHz
		–	0.49	0.58	dB	1700–2200 MHz
		–	0.52	0.61	dB	2200–2700 MHz
		–	0.61	0.72	dB	3300–4200 MHz
		–	0.69	0.88	dB	4400–5000 MHz
		–	0.81	1.20	dB	5150–5925 MHz
–	1.02	1.65	dB	5925–7125 MHz		
Insertion loss¹⁾						
RF_Ax — RF_By all other paths off x,y={1,..,3}	$IL_{RF_Ax-RF_By}$	–	0.41	0.58	dB	600–960 MHz
		–	0.44	0.62	dB	1160–1300 MHz
		–	0.46	0.65	dB	1400–1700 MHz
		–	0.49	0.69	dB	1700–2200 MHz
		–	0.52	0.72	dB	2200–2700 MHz
		–	0.61	0.88	dB	3300–4200 MHz
		–	0.69	1.10	dB	4400–5000 MHz
		–	0.81	1.40	dB	5150–5925 MHz
–	1.02	1.90	dB	5925–7125 MHz		
Return loss¹⁾						
RF_Ax — RF_By all other paths off x,y={1,..,3}	$RL_{RF_Ax-RF_By}$	23	28	–	dB	600–960 MHz
		21	27	–	dB	1160–1300 MHz
		20	27	–	dB	1400–1700 MHz
		20	27	–	dB	1700–2200 MHz
		20	27	–	dB	2200–2700 MHz
		15	24	–	dB	3300–4200 MHz
		12	19	–	dB	4400–5000 MHz
		10	16	–	dB	5150–5925 MHz
		8	14	–	dB	5925–7125 MHz

¹⁾ Measured on application board, without any matching components at RF ports.

RF characteristics

Table 4: RF characteristics at $T_A = -40\text{ }^{\circ}\text{C} \dots 85\text{ }^{\circ}\text{C}$, $P_{RF} = 0\text{ dBm}$, $V_{DD} = 1.6\text{ V} \dots 1.95\text{ V}$, unless otherwise specified (continued)

Parameter	Symbol	Values			Unit	Note / Test condition
		Min.	Typ.	Max.		
Isolation^{1) 2)}						
isolation path: RF_A1 — RF_B1 active path: RF_A2 — RF_B1 or RF_A3 — RF_B1	$ISO_{RF_A1-RF_B1}$	41	48	–	dB	600–960 MHz
		39	44	–	dB	1160–1300 MHz
		36	43	–	dB	1400–1700 MHz
		33	42	–	dB	1700–2200 MHz
		30	39	–	dB	2200–2700 MHz
		28	36	–	dB	3300–4200 MHz
		28	34	–	dB	4400–5000 MHz
		27	33	–	dB	5150–5925 MHz
		27	33	–	dB	5925–7125 MHz
isolation path: RF_A1 — RF_B2 active path: RF_A2 — RF_B2 or RF_A3 — RF_B2	$ISO_{RF_A1-RF_B2}$	41	47	–	dB	600–960 MHz
		38	43	–	dB	1160–1300 MHz
		36	42	–	dB	1400–1700 MHz
		32	40	–	dB	1700–2200 MHz
		29	37	–	dB	2200–2700 MHz
		27	34	–	dB	3300–4200 MHz
		25	32	–	dB	4400–5000 MHz
		24	31	–	dB	5150–5925 MHz
		24	30	–	dB	5925–7125 MHz
isolation path: RF_A1 — RF_B3 active path: RF_A2 — RF_B3 or RF_A3 — RF_B3	$ISO_{RF_A1-RF_B3}$	39	45	–	dB	600–960 MHz
		37	41	–	dB	1160–1300 MHz
		34	40	–	dB	1400–1700 MHz
		31	38	–	dB	1700–2200 MHz
		28	36	–	dB	2200–2700 MHz
		26	32	–	dB	3300–4200 MHz
		25	30	–	dB	4400–5000 MHz
		24	29	–	dB	5150–5925 MHz
		24	29	–	dB	5925–7125 MHz
isolation path: RF_A2 — RF_B1 active path: RF_A1 — RF_B1 or RF_A3 — RF_B1	$ISO_{RF_A2-RF_B1}$	49	53	–	dB	600–960 MHz
		47	49	–	dB	1160–1300 MHz
		45	49	–	dB	1400–1700 MHz
		42	47	–	dB	1700–2200 MHz
		39	45	–	dB	2200–2700 MHz
		39	44	–	dB	3300–4200 MHz
		38	44	–	dB	4400–5000 MHz
		31	44	–	dB	5150–5925 MHz
		31	42	–	dB	5925–7125 MHz

¹⁾ Measured on application board, without any external matching components at RF ports.

²⁾ Standard isolation mode (see section 4 for a detailed explanation of the register settings.)

RF characteristics

Table 4: RF characteristics at $T_A = -40\text{ }^{\circ}\text{C} \dots 85\text{ }^{\circ}\text{C}$, $P_{RF} = 0\text{ dBm}$, $V_{DD} = 1.6\text{ V} \dots 1.95\text{ V}$, unless otherwise specified (continued)

Parameter	Symbol	Values			Unit	Note / Test condition
		Min.	Typ.	Max.		
isolation path: RF_A2 — RF_B2 active path: RF_A1 — RF_B2 or RF_A3 — RF_B2	$ISO_{RF_A2-RF_B2}$	46	52	–	dB	600–960 MHz
		43	48	–	dB	1160–1300 MHz
		41	47	–	dB	1400–1700 MHz
		38	45	–	dB	1700–2200 MHz
		35	43	–	dB	2200–2700 MHz
		33	40	–	dB	3300–4200 MHz
		33	39	–	dB	4400–5000 MHz
		34	39	–	dB	5150–5925 MHz
isolation path: RF_A2 — RF_B3 active path: RF_A1 — RF_B3 or RF_A3 — RF_B3	$ISO_{RF_A2-RF_B3}$	43	49	–	dB	600–960 MHz
		40	46	–	dB	1160–1300 MHz
		38	44	–	dB	1400–1700 MHz
		35	43	–	dB	1700–2200 MHz
		32	41	–	dB	2200–2700 MHz
		32	38	–	dB	3300–4200 MHz
		32	38	–	dB	4400–5000 MHz
		32	38	–	dB	5150–5925 MHz
isolation path: RF_A3 — RF_B1 active path: RF_A1 — RF_B1 or RF_A2 — RF_B1	$ISO_{RF_A3-RF_B1}$	42	49	–	dB	600–960 MHz
		39	45	–	dB	1160–1300 MHz
		37	44	–	dB	1400–1700 MHz
		34	42	–	dB	1700–2200 MHz
		30	40	–	dB	2200–2700 MHz
		28	36	–	dB	3300–4200 MHz
		27	34	–	dB	4400–5000 MHz
		27	34	–	dB	5150–5925 MHz
isolation path: RF_A3 — RF_B2 active path: RF_A1 — RF_B2 or RF_A2 — RF_B2	$ISO_{RF_A3-RF_B2}$	41	49	–	dB	600–960 MHz
		39	45	–	dB	1160–1300 MHz
		36	44	–	dB	1400–1700 MHz
		33	42	–	dB	1700–2200 MHz
		29	40	–	dB	2200–2700 MHz
		27	36	–	dB	3300–4200 MHz
		26	34	–	dB	4400–5000 MHz
		24	33	–	dB	5150–5925 MHz
		24	32	–	dB	5925–7125 MHz

RF characteristics

Table 4: RF characteristics at $T_A = -40\text{ }^{\circ}\text{C} \dots 85\text{ }^{\circ}\text{C}$, $V_{DD} = 1.6\text{ V} \dots 1.95\text{ V}$, unless otherwise specified (continued)

Parameter	Symbol	Values			Unit	Note / Test condition
		Min.	Typ.	Max.		
isolation path: RF_A3 — RF_B3 active path: RF_A1 — RF_B3 or RF_A2 — RF_B3	$ISO_{RF_A3-RF_B3}$	40	48	–	dB	600–960 MHz
		37	44	–	dB	1160–1300 MHz
		35	43	–	dB	1400–1700 MHz
		32	41	–	dB	1700–2200 MHz
		28	39	–	dB	2200–2700 MHz
		26	35	–	dB	3300–4200 MHz
		25	33	–	dB	4400–5000 MHz
		24	32	–	dB	5150–5925 MHz
24	32	–	dB	5925–7125 MHz		

Harmonic generation¹⁾ at CW, VSWR 1:1 / 50 Ω

2 nd Harmonic	P_{H2}	–	-82	-69	dBm	LTE LB, 663–915 MHz, $P_{RF} = 26\text{ dBm}$
		–	-78	-65	dBm	LTE MB, 1710–2020 MHz, $P_{RF} = 26\text{ dBm}$
		–	-74	-61	dBm	LTE HB, 2300–2690 MHz, $P_{RF} = 26\text{ dBm}$
		–	-72	-56	dBm	N77 NR, 3300–4200 MHz, $P_{RF} = 26\text{ dBm}$
		–	-72	-55	dBm	N79 NR, 4400–5000 MHz, $P_{RF} = 26\text{ dBm}$
3 rd Harmonic	P_{H3}	–	-81	-71	dBm	LTE LB, 663–915 MHz, $P_{RF} = 26\text{ dBm}$
		–	-79	-69	dBm	LTE MB, 1710–2020 MHz, $P_{RF} = 26\text{ dBm}$
		–	-79	-67	dBm	LTE HB, 2300–2690 MHz, $P_{RF} = 26\text{ dBm}$
		–	-77	-65	dBm	N77 NR, 3300–4200 MHz, $P_{RF} = 26\text{ dBm}$
		–	-77	-65	dBm	N79 NR, 4400–5000 MHz, $P_{RF} = 26\text{ dBm}$

Harmonic generation¹⁾ at 25 % duty cycle, VSWR 1:1 / 50 Ω

2 nd Harmonic	P_{H2}	–	-64	-50	dBm	GSM LB, 824–915 MHz, $P_{RF} = 35\text{ dBm}$
		–	-64	-51	dBm	GSM HB, 1710–1910 MHz, $P_{RF} = 33\text{ dBm}$
3 rd Harmonic	P_{H3}	–	-54	-44	dBm	GSM LB, 824–915 MHz, $P_{RF} = 35\text{ dBm}$
		–	-59	-48	dBm	GSM HB, 1710–1910 MHz, $P_{RF} = 33\text{ dBm}$

Intermodulation distortion IMD2¹⁾

Band 1 IMD2 high	$IMD2$	–	-126	-114	dBm	Test conditions, see Table 5
Band 1 IMD2 low		–	-124	-109	dBm	
Band 5 IMD2 high		–	-124	-112	dBm	
Band 5 IMD2 low		–	-117	-93	dBm	
Band 7 IMD2 high		–	-115	-103	dBm	
Band 7 IMD2 low		–	-113	-99	dBm	
Band 3 + 5 IMD2 ULCA		–	-95	-84	dBm	
Band 3 + N77 IMD2 ENDC		–	-92	-81	dBm	

¹⁾ Measured on application board, without any matching components at RF ports.

RF characteristics

Table 4: RF characteristics at $T_A = -40\text{ }^{\circ}\text{C} \dots 85\text{ }^{\circ}\text{C}$, $V_{DD} = 1.6\text{ V} \dots 1.95\text{ V}$, unless otherwise specified (continued)

Parameter	Symbol	Values			Unit	Note / Test condition
		Min.	Typ.	Max.		
Intermodulation distortion IMD3¹⁾						
Band 1 IMD3 high	IMD3	–	-128	-112	dBm	Test conditions, see Table 6
Band 1 IMD3 mid		–	-123	-111	dBm	
Band 5 IMD3 high		–	-127	-113	dBm	
Band 5 IMD3 mid		–	-127	-114	dBm	
Band 7 IMD3 high		–	-127	-109	dBm	
Band 7 IMD3 mid		–	-125	-112	dBm	
Band 1 + band 3 ULCA		–	-91	-79	dBm	
Band 5 + N78 ENDC		–	-89	-77	dBm	

¹⁾ Measured on application board, without any matching components at RF ports.

Table 5: IMD2 testcases¹⁾

Band	Symbol	In-band frequency (MHz)	Blocker frequency 1 (MHz)	Blocker power 1 (dBm)	Blocker frequency 2 (MHz)	Blocker power 2 (dBm)
Band 1	$B1_{\text{IMD2,high}}$	2140	1950	20	4090	-15
	$B1_{\text{IMD2,low}}$	2140	1950	20	190	-15
Band 5	$B5_{\text{IMD2,high}}$	881.5	836.5	20	1718	-15
	$B5_{\text{IMD2,low}}$	881.5	836.5	20	45	-15
Band 7	$B7_{\text{IMD2,high}}$	2655	2535	20	5190	-15
	$B7_{\text{IMD2,low}}$	2655	2535	20	120	-15
Band 3 + Band 5 ULCA	$B3B5_{\text{IMD2,ULCA}}$	881.5	836.5	23	1718	10
Band 3 + N77 ENDC	$B3N77_{\text{IMD2,ENDC}}$	1842.5	1747.5	23	3590	10

¹⁾ Both blockers applied to same RF path.

Table 6: IMD3 testcases¹⁾

Band	Symbol	In-band Frequency (MHz)	Blocker Frequency 1 (MHz)	Blocker Power 1 (dBm)	Blocker Frequency 2 (MHz)	Blocker Power 2 (dBm)
Band 1	$B1_{\text{IMD3,high}}$	2140	1950	20	6040	-15
	$B1_{\text{IMD3,mid}}$	2140	1950	20	1760	-15
Band 5	$B5_{\text{IMD3,high}}$	881.5	836.5	20	2554.5	-15
	$B5_{\text{IMD3,mid}}$	881.5	836.5	20	791.5	-15
Band 7	$B7_{\text{IMD3,high}}$	2655	2535	20	7725	-15
	$B7_{\text{IMD3,mid}}$	2655	2535	20	2415	-15
Band 1 + band 3 ULCA	$B1B3_{\text{IMD3,ULCA}}$	2140	1950	23	1760	10
Band 5 + N78 ENDC	$B5N78_{\text{IMD3,ENDC}}$	2122	3780	26	829	10

¹⁾ Both blockers applied to same RF path.

BGSX33M5U16

3P3T antenna cross switch with MIPI RFFE control interface

RF characteristics

Table 7: Switching time¹⁾ at $T_A = -40\text{ }^{\circ}\text{C} \dots 85\text{ }^{\circ}\text{C}$, $P_{RF} = 0\text{ dBm}$, $V_{DD} = 1.6\text{ V} \dots 1.95\text{ V}$, unless otherwise specified

Parameter	Symbol	Values			Unit	Note / Test condition
		Min.	Typ.	Max.		
Power up settling time	t_{PUP}	–	9	20	μs	Time from power up plus switch command, 50 % last SCLK falling edge to 90 % RF signal
Switching time	t_{ST}	–	0.8	2.0	μs	Time to switch between RF states, 50 % last SCLK falling edge to 90 % RF signal

¹⁾ Measured on application board, without any external matching components at RF ports.

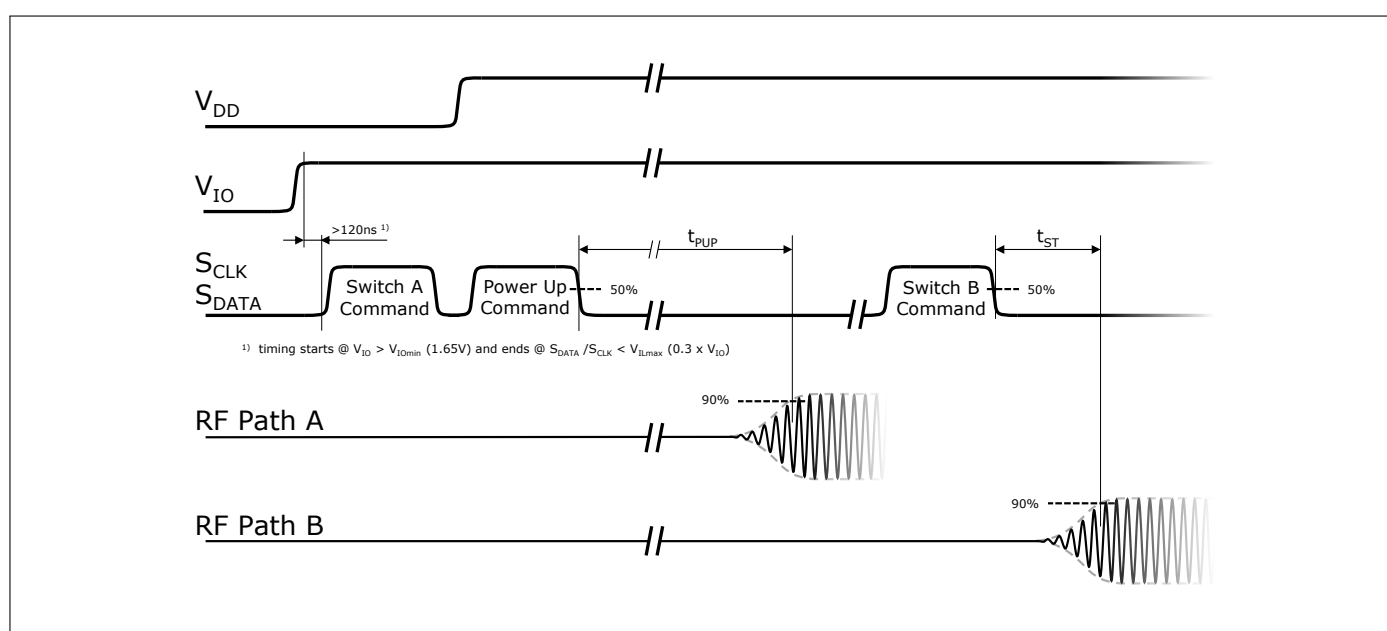


Figure 1: MIPI timing diagram

4 MIPI RFFE specification

The MIPI RFFE interface is implemented according to the following specifications and documents:

- MIPI Alliance Specification for RF Front-End Control Interface version 2.1 - 18 December 2017
- MIPI Alliance Errata 01 for MIPI RFFE Specification Version v2.1 - 24 February 2019
- Qualcomm RFFE Vendor specification 80-N7876-1 Rev. Y (December 3, 2018)

Table 8: MIPI features

Feature	Supported	Comment
MIPI RFFE 2.1 standard	Yes	Backward compatible to MIPI 2.0 standard
Standard reach RFFE bus length	Yes	RFFE Bus length of up to 15 cm (standard)
Longer reach RFFE bus length feature (MIPI RFFE 2.1 optional feature)	Yes	Longer reach allows for longer RFFE bus lengths. This requires a limitation to the standard frequency range of RFFE plus additional timing requirements for all devices on the bus
Programmable driver strength (MIPI RFFE 2.x feature)	Yes	Allows to program MIPI device bus driver strength (relevant for read back messages) up to 80 pF via BUS_LD-register (0x2B); Default value: 50 pF
Register 0 write command sequence	Yes	Shortened write sequence for register 0 Caution: only 7 LSBs in Reg 0 can be addressed
Register read and write command sequence	Yes	Standard register read/write procedure addressing standard register space of 0x00 – 0x1F
Extended register read and write command sequence	Yes	Register read/write procedure addressing extended register space of 0x00 – 0xFF
Masked write command sequence (MIPI 2.1 optional feature)	Yes	Allow only certain bits in a register to be updated during a write command. Relevant registers marked "MW" in below register mapping tables
Support for standard frequency range operations for SCLK	Yes	SCLK range 32 kHz – 26 MHz for read and write commands
Support for extended frequency range operations for SCLK	Yes	SCLK range 26 MHz – 52 MHz for write commands
sRead (synchronous Read) full speed or half speed up to 26 MHz (MIPI 2.x feature)	Yes	Relaxed slave setup time requirements as master samples data on rising edge of SCLK signal
Regular read full speed or half speed up to 13 MHz (MIPI RFFE 1.10-2.x feature)	Yes	Stricter slave setup time requirements as master samples data on falling edge of SCLK signal
Product ID + extended product ID register	Yes	PRODUCT_ID (address 0x1D) and EXT_PRODUCT_ID (address 0x20) registers
Extended manufacturer ID (10->12 bit) (MIPI 2.1 optional feature)	Yes	The new 2 bits In MIPI 2.1 are placed in RFFE USID register at address 0x1F; value is 0 in IFX products
Revision ID register	Yes	This register contains the device revision (address 0x21)

Table 8: MIPI features (continued)

Feature	Supported	Comment
Programmable GSID (group slave identifier)	Yes	RFFE 2.x GROUP_SID register (at address 0x22); Only in case RFFE 1.1 backwards compatibility is supported: GROUP_SID0 bit-field access at address 0x1B (copy of GROUP_SID0)
Programmable USID (unique slave identifier)	Yes	Device can be also explicitly addressed via combination of (old) USID, Manufacturer ID, and (extended) product ID to reprogram USID via (extended) register write sequence (see MIPI RFFE Spec v2.1 Chapter 6.2.1)
Trigger functionality	Yes	3 "standard" triggers via PM_TRIG[5:0] consisting of 3 Mask- and 3 trigger bits
Ignored trigger handling in low power mode	Yes	When device is and stays in low power mode, write to trigger registers will be ignored (Note: when changing power mode, writing to trigger registers are not ignored)
Extended triggers and trigger masks (MIPI 2.1 optional feature)	Yes	additional eight triggers and the associated trigger masks, have been added in MIPI 2.1 (registers at addresses 0x2D and 0x2E)
Broadcast / GSID write to PM TRIG register	Yes	The above mentioned trigger register (and extended trigger register) can be accessed via Broadcast/GSID writes to trigger several MIPI devices synchronously. NOTE: Trigger Mask bits are not changed with Broadcast/GSID writes
Reset	Yes	Reset is possible via VIO, PM TRIG or register SW_RST (0x23); NOTE: SW_RST only resets user defined registers, it does not reset the values of any reserved registers
Status / error sum register	Yes	RFFE 2.x ERR_SUM register (address 0x24); only in case RFFE 1.1 backwards compatibility is supported: RFFE_STATUS register access at address 0x1A (copy of ERR_SUM)
USID select pin	Yes	External pin (USID_SEL) for changing USID: see Table 9

Table 9: Default MIPI USID selection

External condition (USID_SEL)	USID address
Ground	1010
VIO	1011

MIPI RFFE specification

Table 10: Register mapping

Register address	Register name	Data bits	Function	Description	Default	Broadcast_ID support	Trigger support	R/W
0x00	SWITCH_CTRL_RF_A1	7:0	MODE_CTRL	Switch control of RF_A1	00000000	No	Yes Trigger 0-10	R/W MW
0x01	SWITCH_CTRL_RF_A2	7:0	MODE_CTRL	Switch control of RF_A2	00000000	No	Yes Trigger 0-10	R/W MW
0x02	SWITCH_CTRL_RF_A3	7:0	MODE_CTRL	Switch control of RF_A3	00000000	No	Yes Trigger 0-10	R/W MW
0x03	SWITCH_CTRL_SHUNT	7:0	SHUNT_MODE_CTRL	Switch control shunts	00000000	No	Yes Trigger 0-10	R/W MW
0x1C	PM_TRIG	7	PWR_MODE(1) Operation mode	0: Normal operation (ACTIVE)	1	Yes	No	R/W MW
				1: Low power mode (LOW POWER)				
		6	PWR_MODE(0) State bit vector	0: No action (ACTIVE)	0			
				1: Powered reset (STARTUP to ACTIVE to LOW POWER)				
		5	TRIGGER_MASK_2	0: Data masked (held in shadow register)	0		No	
				1: Data not masked (ready for transfer to destination register)				
		4	TRIGGER_MASK_1	0: Data masked (held in shadow register)	0			
				1: Data not masked (ready for transfer to destination register)				
		3	TRIGGER_MASK_0	0: Data masked (held in shadow register)	0			
				1: Data not masked (ready for transfer to destination register)				
2	TRIGGER_2	0: No action (data held in shadow register)	0	Yes				
		1: Data transferred to destination register						
1	TRIGGER_1	0: No action (data held in shadow register)	0					
		1: Data transferred to destination register						
0	TRIGGER_0	0: No action (data held in shadow register)	0					
		1: Data transferred to destination register						
0x1D	PRODUCT_ID	7:0	PRODUCT_ID	This is a read-only register. However, during the programming of the USID a write command sequence is performed on this register, even though the write does not change its value.	11101100	n/a	n/a	R
0x1E	MAN_ID	7:0	MANUFACTURER_ID [7:0]	This is a read-only register. However, during the programming of the USID, a write command sequence is performed on this register, even though the write does not change its value.	00011010	n/a	n/a	R
0x1F	MAN_USID	7:4	MANUFACTURER_ID [11:8]	These bits are read-only. However, during the programming of the USID, a write command sequence is performed on this register even though the write does not change its value.	0001	n/a	n/a	R
		3:0	USID[3:0]	Programmable USID. Performing a write to this register using the described programming sequences will program the USID. These bits store the USID of the device.	See Table 9	No	No	R/W
0x20	EXT_PRODUCT_ID	7:0	EXT_PRODUCT_ID	Extension to PRODUCT_ID	00000000	n/a	n/a	R
0x21	REV_ID	7:4	MAIN_REVISION	Chip main revision	0011	n/a	n/a	R
		3:0	SUB_REVISION	Chip sub revision	0001			
0x22	GSID	7:4	GSID0[3:0]	Primary group slave ID.	0000	No	No	R/W
		3:0	GSID1[3:0]	Secondary group slave ID.	0000			

MIPI RFFE specification

Table 10: Register mapping (continued)

Register address	Register name	Data bits	Function	Description	Default	Broadcast_ID support	Trigger support	R/W
0x22	GSID	7:4	GSID0[3:0]	Primary group slave ID.	0000	No	No	R/W
		3:0	GSID1[3:0]	Secondary group slave ID.	0000			
0x23	UDR_RST	7	UDR_RST	Reset all configurable non-RFFE Reserved registers to default values. 0: Normal operation 1: Software reset	0	No	No	R/W
		6:0	RESERVED	Reserved for future use	0000000			
0x24	ERR_SUM	7	RESERVED	Reserved for future use	0	n/a	n/a	R
		6	COMMAND_FRAME_PARITY_ERR	Command sequence received with parity error – discard command.	0			
		5	COMMAND_LENGTH_ERR	Command length error.	0			
		4	ADDRESS_FRAME_PARITY_ERR	Address frame with parity error.	0			
		3	DATA_FRAME_PARITY_ERR	Data frame with parity error.	0			
		2	READ_UNUSED_REG	Read command to an invalid address.	0			
		1	WRITE_UNUSED_REG	Write command to an invalid address.	0			
		0	BID_GID_ERR	Read command with a BROADCAST_ID or GROUP_ID.	0			
0x2B	BUS_LD	7:4	RESERVED	Reserved for future use	0x0	No	No	R/W
		3:0	BUS_LD[3:0]	Program the drive strength of the SDATA driver in readback modes. 0x0: 10pF 0x1: 20pF 0x2: 30pF 0x3: 40pF 0x4: 50pF 0x5: 60pF 0x6: 80pF 0x7: 80pF 0x8-0xF: reserved	0x4			
0x2D	EXT_TRIG_MASK	7	EXT_TRIGGER_MASK_10	0: Data masked (held in shadow register)	1	No	No	MW
				1: Data not masked (ready for transfer to destination register)				
		6	EXT_TRIGGER_MASK_9	0: Data masked (held in shadow register)	1			
				1: Data not masked (ready for transfer to destination register)				
		5	EXT_TRIGGER_MASK_8	0: Data masked (held in shadow register)	1			
				1: Data not masked (ready for transfer to destination register)				
		4	EXT_TRIGGER_MASK_7	0: Data masked (held in shadow register)	1			
				1: Data not masked (ready for transfer to destination register)				
		3	EXT_TRIGGER_MASK_6	0: Data masked (held in shadow register)	1			
				1: Data not masked (ready for transfer to destination register)				
		2	EXT_TRIGGER_MASK_5	0: Data masked (held in shadow register)	1			
				1: Data not masked (ready for transfer to destination register)				
		1	EXT_TRIGGER_MASK_4	0: Data masked (held in shadow register)	1			
				1: Data not masked (ready for transfer to destination register)				
		0	EXT_TRIGGER_MASK_3	0: Data masked (held in shadow register)	1			
				1: Data not masked (ready for transfer to destination register)				

Table 10: Register mapping (continued)

Register address	Register name	Data bits	Function	Description	Default	Broadcast_ID support	Trigger support	R/W
0x2E	EXT_TRIG	7	EXT_TRIGGER_10	0: No action (data held in shadow register)	0	Yes	No	R/W MW
				1: Data transferred to destination register				
		6	EXT_TRIGGER_9	0: No action (data held in shadow register)	0			
				1: Data transferred to destination register				
		5	EXT_TRIGGER_8	0: No action (data held in shadow register)	0			
				1: Data transferred to destination register				
		4	EXT_TRIGGER_7	0: No action (data held in shadow register)	0			
				1: Data transferred to destination register				
		3	EXT_TRIGGER_6	0: No action (data held in shadow register)	0			
				1: Data transferred to destination register				
		2	EXT_TRIGGER_5	0: No action (data held in shadow register)	0			
				1: Data transferred to destination register				
		1	EXT_TRIGGER_4	0: No action (data held in shadow register)	0			
				1: Data transferred to destination register				
		0	EXT_TRIGGER_3	0: No action (data held in shadow register)	0			
				1: Data transferred to destination register				

BGSX33M5U16 features a truth table shown in Table 11 which allows to connect multiple RF_Ax ports to any RF_Bx port by combining individual states. As an example, all RF_Ax ports can be connected to RF_B1 by combining states RF_A1-RF_B1, RF_A2-RF_B1, and RF_A3-RF_B1 by following register settings: SWITCH_CTRL_RFA1 = 'xx000001', SWITCH_CTRL_RFA2 = 'xx000001', and SWITCH_CTRL_RFA3 = 'xx000001'.

The isolation can be improved by manually setting unused RF_Bx ports to GND by using the SWITCH_CTRL_SHUNT register shown in Table 12. The SWITCH_CTRL_RFAx registers are master and overruling the manually set SWITCH_CTRL_SHUNT register, meaning that used ports cannot be set to GND. The *enhanced isolation mode* is activated by setting SWITCH_CTRL_SHUNT = '10xxxxxx' where all unused RF_Bx ports are set to GND automatically. Figure 2 shows examples.

MIPI RFFE specification

Table 11: Modes of operation (truth table)

Mode	SWITCH_CTRL_RF_A1 Bits							
	D7	D6	D5	D4	D3	D2	D1	D0
RF_A1-RF_B1 ISO	x	x	x	x	x	x	x	0
RF_A1-RF_B1	x	x	x	x	x	x	x	1
RF_A1-RF_B2 ISO	x	x	x	x	x	x	0	x
RF_A1-RF_B2	x	x	x	x	x	x	1	x
RF_A1-RF_B3 ISO	x	x	x	x	x	0	x	x
RF_A1-RF_B3	x	x	x	x	x	1	x	x

Mode	SWITCH_CTRL_RF_A2 Bits							
	D7	D6	D5	D4	D3	D2	D1	D0
RF_A2-RF_B1 ISO	x	x	x	x	x	x	x	0
RF_A2-RF_B1	x	x	x	x	x	x	x	1
RF_A2-RF_B2 ISO	x	x	x	x	x	x	0	x
RF_A2-RF_B2	x	x	x	x	x	x	1	x
RF_A2-RF_B3 ISO	x	x	x	x	x	0	x	x
RF_A2-RF_B3	x	x	x	x	x	1	x	x

Mode	SWITCH_CTRL_RF_A3 Bits							
	D7	D6	D5	D4	D3	D2	D1	D0
RF_A3-RF_B1 ISO	x	x	x	x	x	x	x	0
RF_A3-RF_B1	x	x	x	x	x	x	x	1
RF_A3-RF_B2 ISO	x	x	x	x	x	x	0	x
RF_A3-RF_B2	x	x	x	x	x	x	1	x
RF_A3-RF_B3 ISO	x	x	x	x	x	0	x	x
RF_A3-RF_B3	x	x	x	x	x	1	x	x

Table 12: Isolation modes of operation (truth table for shunt settings)

Mode		SWITCH_CTRL_SHUNT Bits							
		D7	D6	D5	D4	D3	D2	D1	D0
Manual shunt control (optionally set UNUSED RF ports to GND)	RF_A1 to GND OFF	0	0	x	x	x	x	x	0
	RF_A1 to GND ON	0	0	x	x	x	x	x	1
	RF_B1 to GND OFF	0	0	x	x	x	x	0	x
	RF_B1 to GND ON	0	0	x	x	x	x	1	x
	RF_A2 to GND OFF	0	0	x	x	x	0	x	x
	RF_A2 to GND ON	0	0	x	x	x	1	x	x
	RF_B2 to GND OFF	0	0	x	x	0	x	x	x
	RF_B2 to GND ON	0	0	x	x	1	x	x	x
	RF_A3 to GND OFF	0	0	x	0	x	x	x	x
	RF_A3 to GND ON	0	0	x	1	x	x	x	x
	RF_B3 to GND OFF	0	0	0	x	x	x	x	x
RF_B3 to GND ON	0	0	1	x	x	x	x	x	
RESERVED	Reserved for future use	0	1	x	x	x	x	x	x
		1	1	x	x	x	x	x	x
Automatic shunt control	Unused RF_Bx to GND	1	0	x	x	x	x	x	x

BGSX33M5U16

3P3T antenna cross switch with MIPI RFFE control interface

MIPI RFFE specification

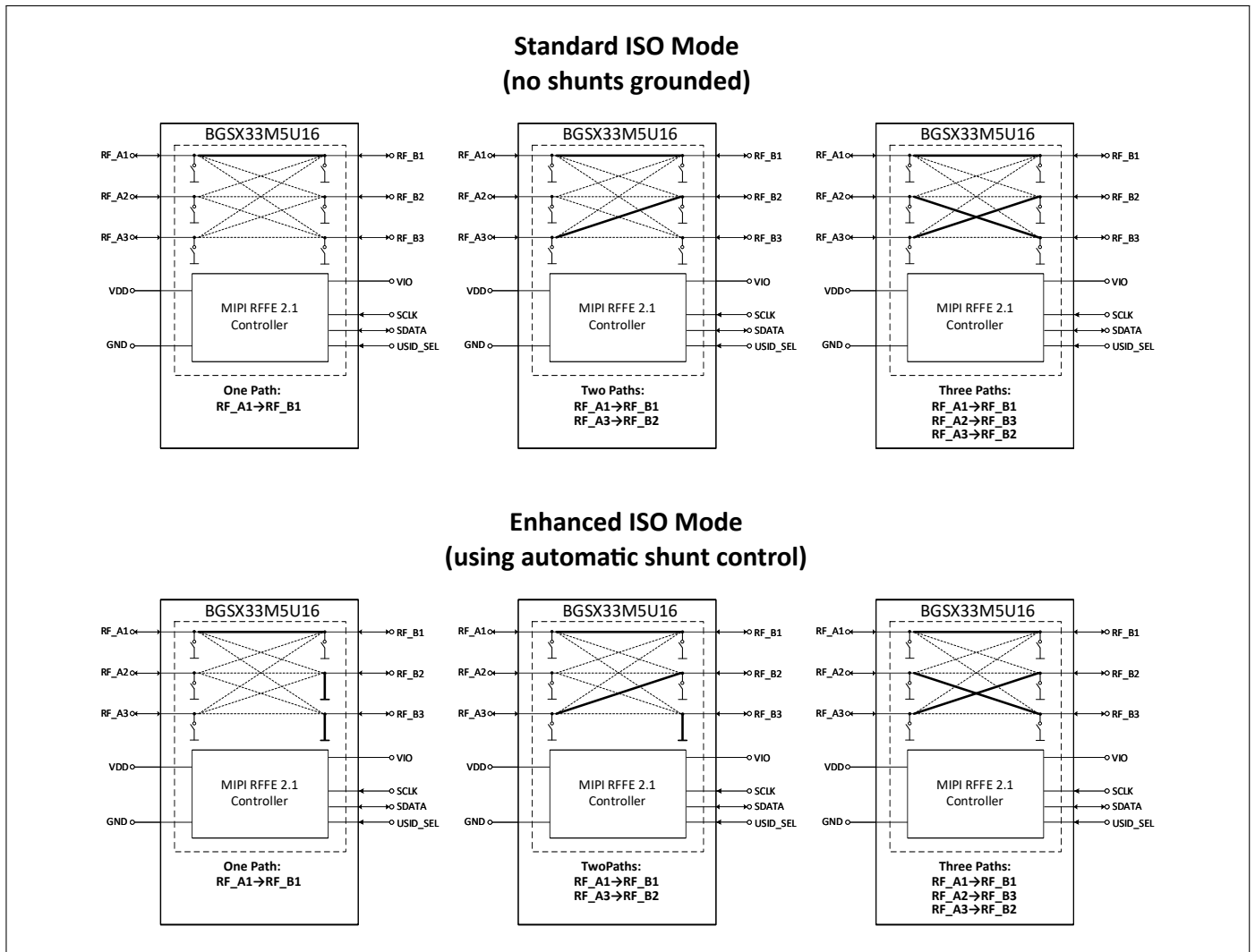


Figure 2: Examples for standard vs. enhanced isolation modes

BGSX33M5U16

3P3T antenna cross switch with MIPI RFFE control interface

Application information

5 Application information

Pin configuration and function

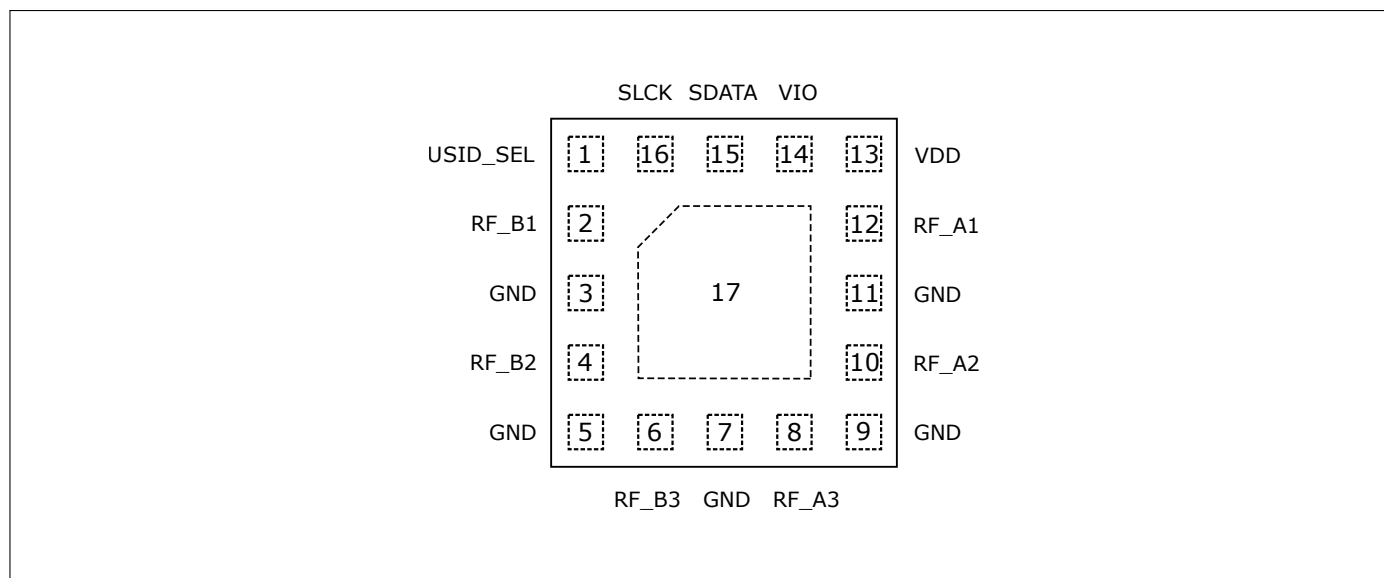


Figure 3: Footprint (top view)

Table 13: Pin definition and function

Pin No.	Name	Function
1	USID_SEL	MIPI USID select pin (to be connected to VIO or GND)
2	RF_B1	RF ANT port 1
3	GND	RF ground
4	RF_B2	RF ANT port 2
5	GND	RF ground
6	RF_B3	RF ANT port 3
7	GND	RF ground
8	RF_A3	RF TRx port 3
9	GND	RF ground
10	RF_A2	RF TRx port 2
11	GND	RF ground
12	RF_A1	RF TRx port 1
13	VDD	Power supply
14	VIO	MIPI RFFE power supply
15	SDATA	MIPI RFFE data
16	SCLK	MIPI RFFE clock
17	GND	RF ground

BGSX33M5U16

3P3T antenna cross switch with MIPI RFFE control interface

Application information

Application circuit

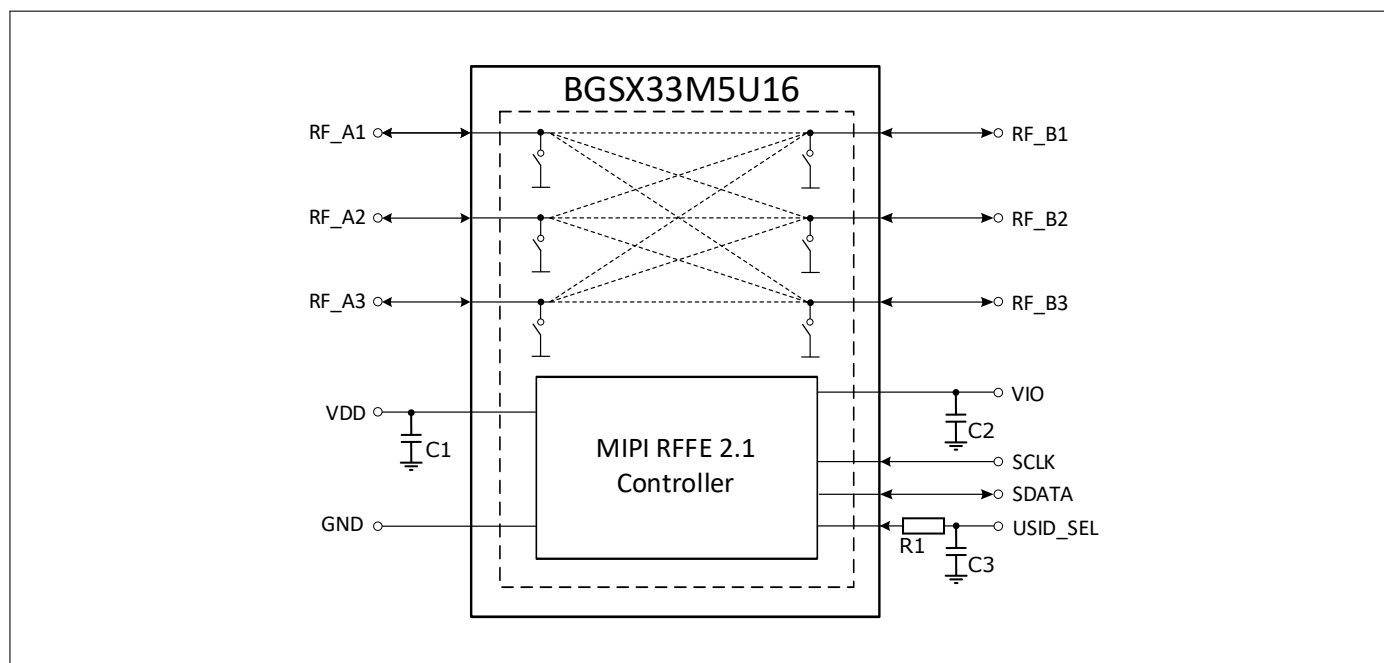


Figure 4: BGSX33M5U16 application schematic

Table 14: Bill of materials

Name	Value	Package	Manufacturer	Function
C1	10 nF	0201	Various	DC coupling
C2	10 nF	0201	Various	DC coupling
C3	1 pF	0201	Various	DC coupling
R1	1 kΩ	0201	Various	DC coupling

BGSX33M5U16

3P3T antenna cross switch with MIPI RFFE control interface

Package Information

6 Package Information

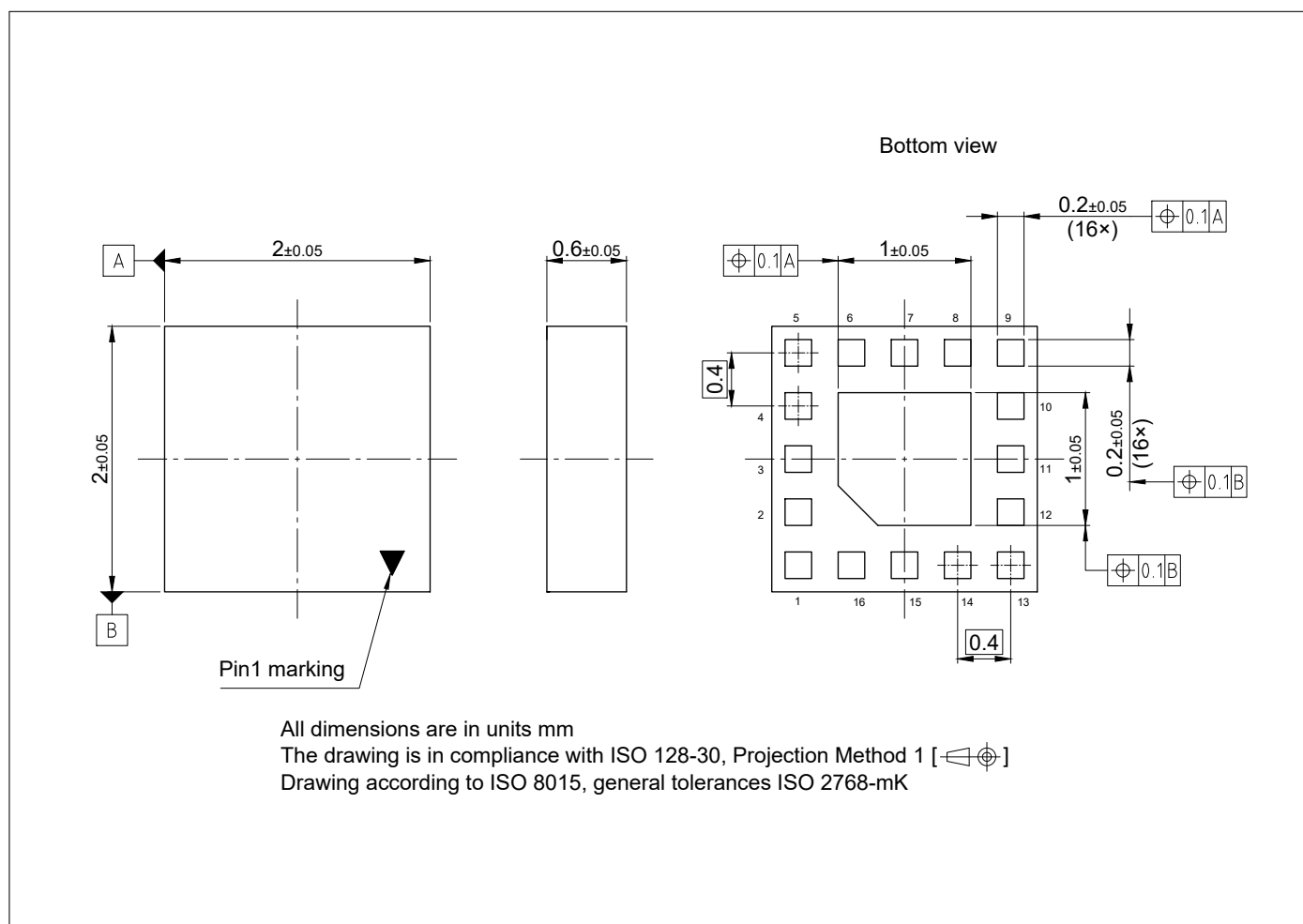


Figure 5: PG-ULGA-16-5 package outline drawing (top, side and bottom views)

BGSX33M5U16

3P3T antenna cross switch with MIPI RFFE control interface

Package Information

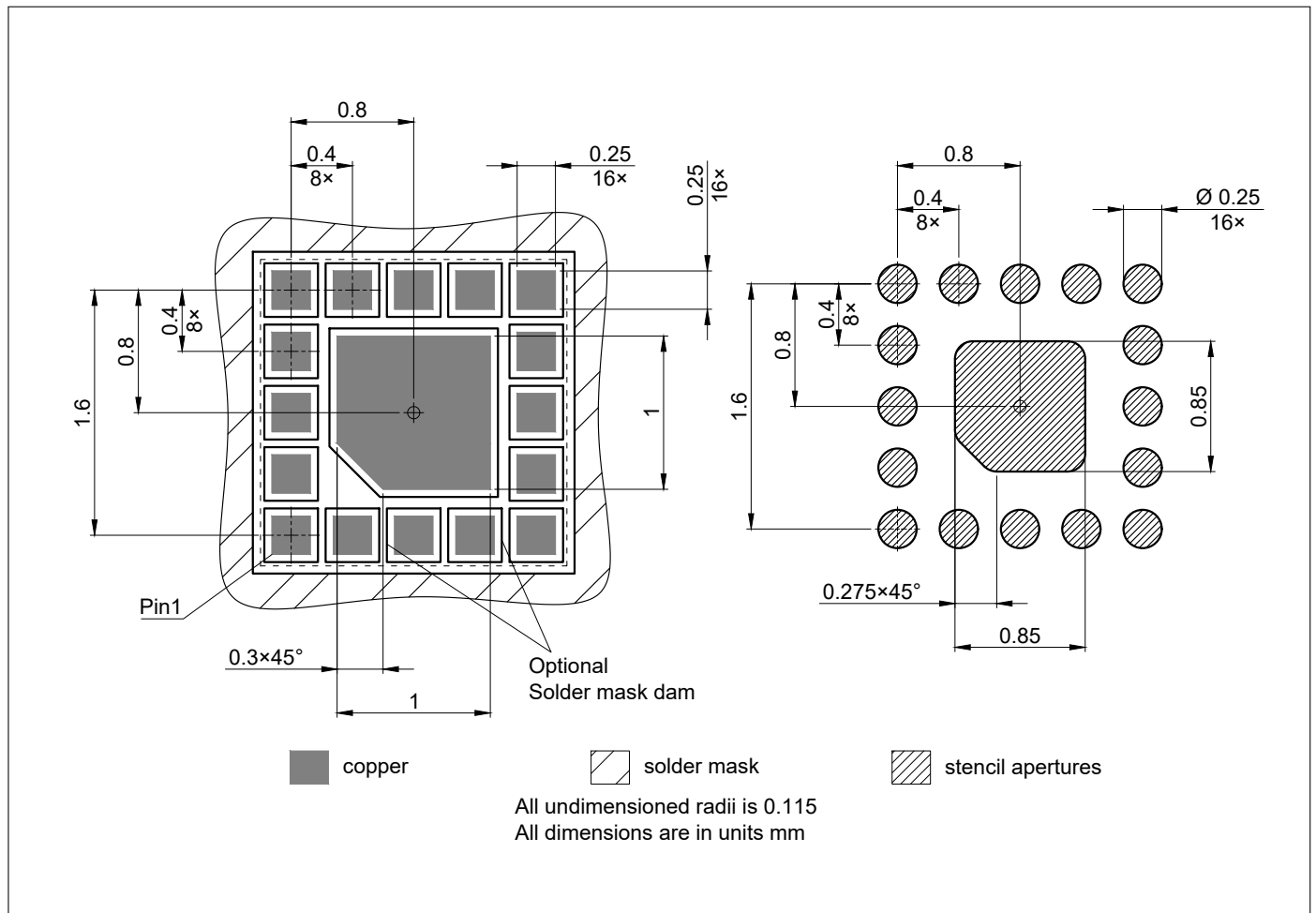


Figure 6: Footprint recommendation

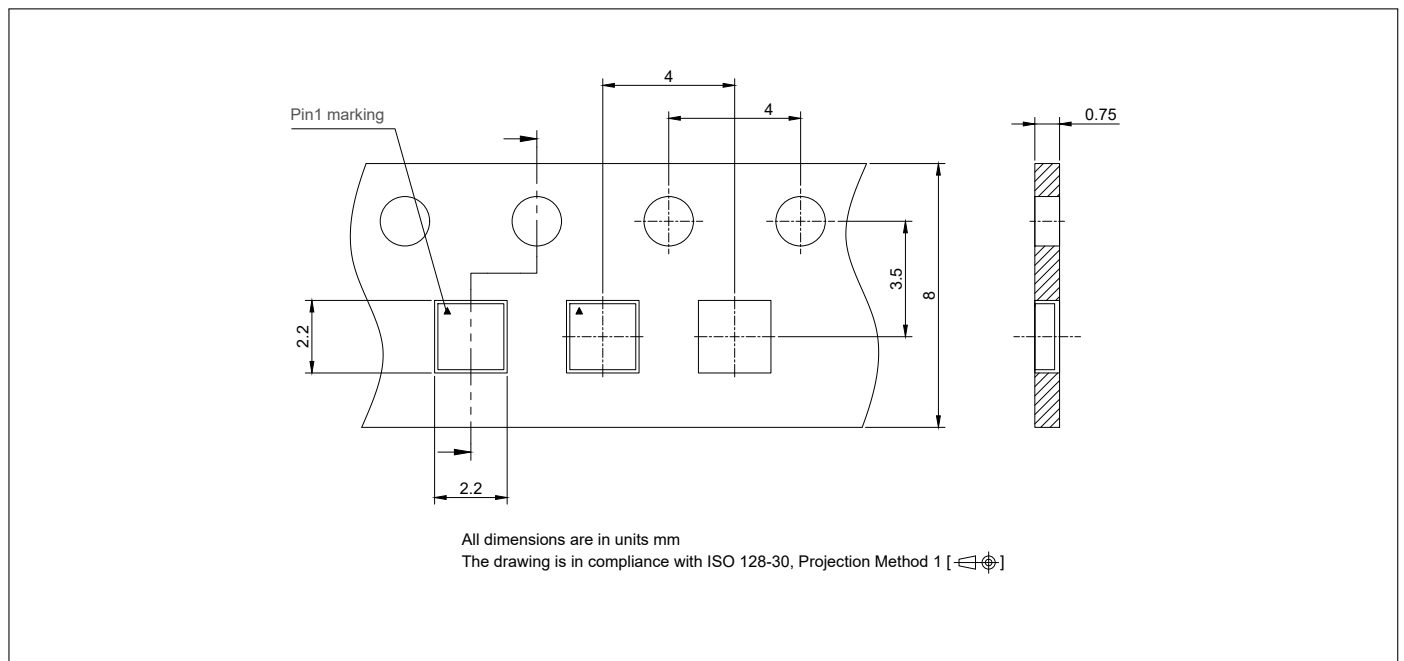


Figure 7: PG-ULGA-16-5 carrier tape drawing (top and side views)

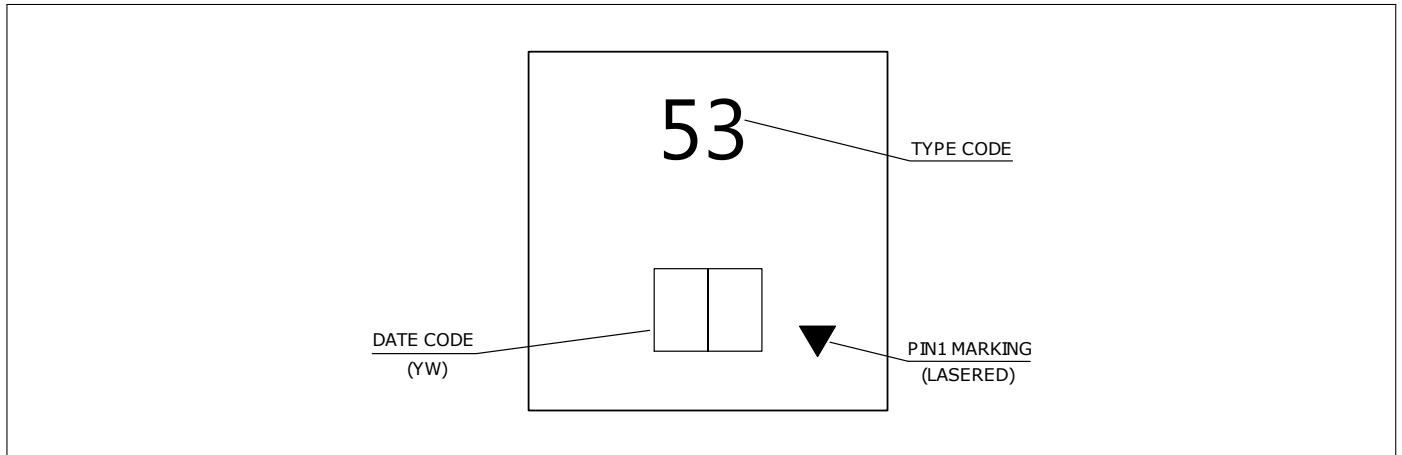


Figure 8: PG-ULGA-16-5 marking specification (top view): date code digits Y and W defined in Table 15 and 16

Table 15: Year date code marking - digit "Y"

Year	"Y"	Year	"Y"	Year	"Y"
2000	0	2010	0	2020	0
2001	1	2011	1	2021	1
2002	2	2012	2	2022	2
2003	3	2013	3	2023	3
2004	4	2014	4	2024	4
2005	5	2015	5	2025	5
2006	6	2016	6	2026	6
2007	7	2017	7	2027	7
2008	8	2018	8	2028	8
2009	9	2019	9	2029	9

Table 16: Week date code marking - digit "W"

Week	"W"	Week	"W"	Week	"W"	Week	"W"	Week	"W"
1	A	12	N	23	4	34	h	45	v
2	B	13	P	24	5	35	j	46	x
3	C	14	Q	25	6	36	k	47	y
4	D	15	R	26	7	37	l	48	z
5	E	16	S	27	a	38	n	49	8
6	F	17	T	28	b	39	p	50	9
7	G	18	U	29	c	40	q	51	2
8	H	19	V	30	d	41	r	52	3
9	J	20	W	31	e	42	s	53	M
10	K	21	Y	32	f	43	t		
11	L	22	Z	33	g	44	u		

BGSX33M5U16

3P3T antenna cross switch with MIPI RFFE control interface



Revision History

Target, v1.0, 2021-08-18

Page or Item	Subjects (major changes since previous revision)
--------------	--

Revision 2.0, 2022-03-25

1, 9-10, 12-16	New datasheet structure and formatting applied on title page, RF characteristics Table 4, and MIPI Tables 8 and 10
6-10	Updated RF characteristic values in Table 4
21	Mechanical data table removed (redundant information in Figure 5)

Other Trademarks

All referenced product or service names and trademarks are the property of their respective owners.

Edition 2022-03-25

Published by

Infineon Technologies AG

81726 Munich, Germany

© 2022 Infineon Technologies AG.

All Rights Reserved.

Do you have a question about any aspect of this document?

Email: erratum@infineon.com

Important notice

The information given in this document shall in no event be regarded as a guarantee of conditions or characteristics ("Beschaffheitsgarantie").

With respect to any examples, hints or any typical values stated herein and/or any information regarding the application of the product, Infineon Technologies hereby disclaims any and all warranties and liabilities of any kind, including without limitation warranties of non-infringement of intellectual property rights of any third party.

In addition, any information given in this document is subject to customer's compliance with its obligations stated in this document and any applicable legal requirements, norms and standards concerning customer's products and any use of the product of Infineon Technologies in customer's applications.

The data contained in this document is exclusively intended for technically trained staff. It is the responsibility of customer's technical departments to evaluate the suitability of the product for the intended application and the completeness of the product information given in this document with respect to such application.

Warnings

Due to technical requirements products may contain dangerous substances. For information on the types in question please contact your nearest Infineon Technologies office.

Except as otherwise explicitly approved by Infineon Technologies in a written document signed by authorized representatives of Infineon Technologies, Infineon Technologies products may not be used in any applications where a failure of the product or any consequences of the use thereof can reasonably be expected to result in personal injury.