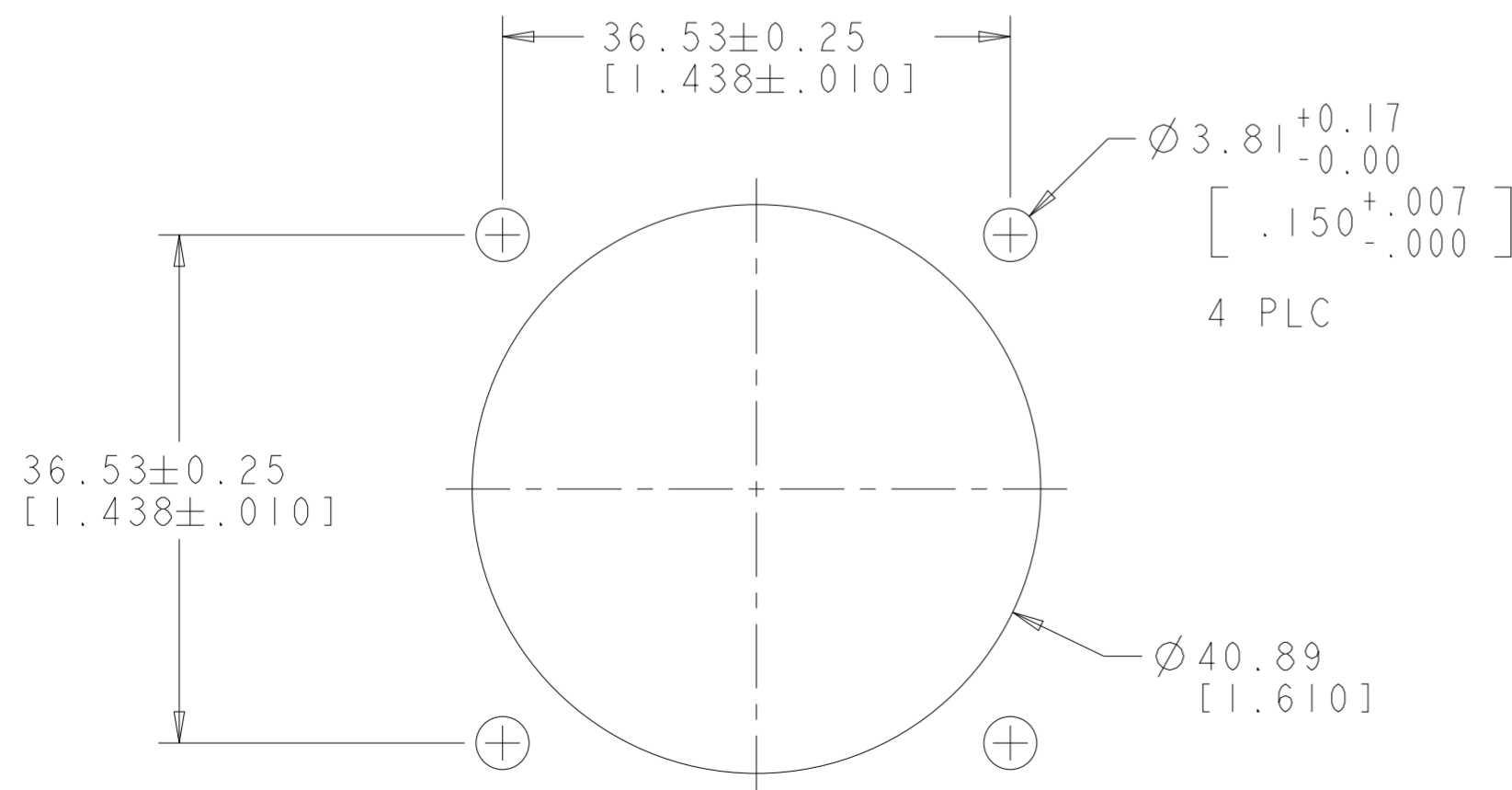
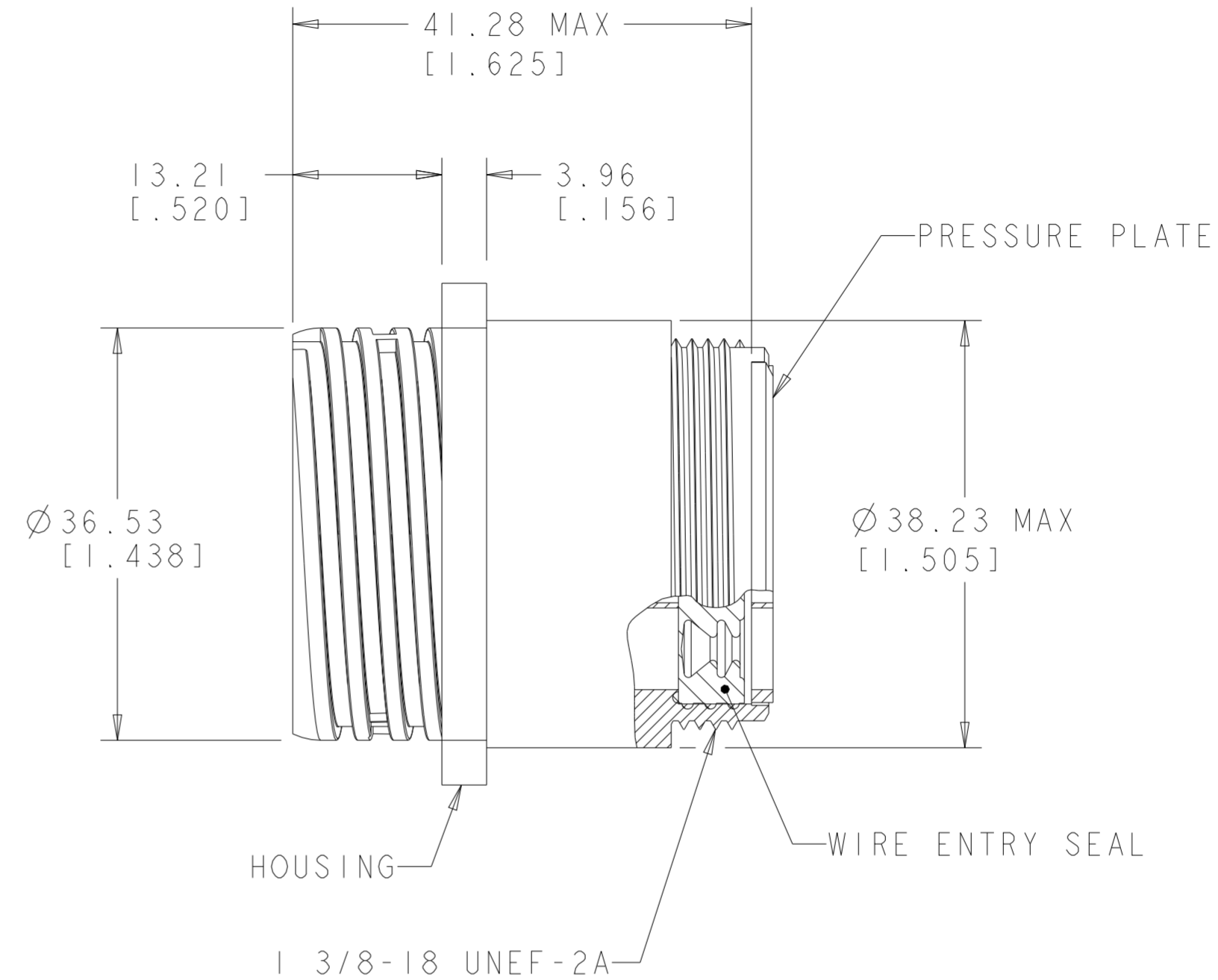
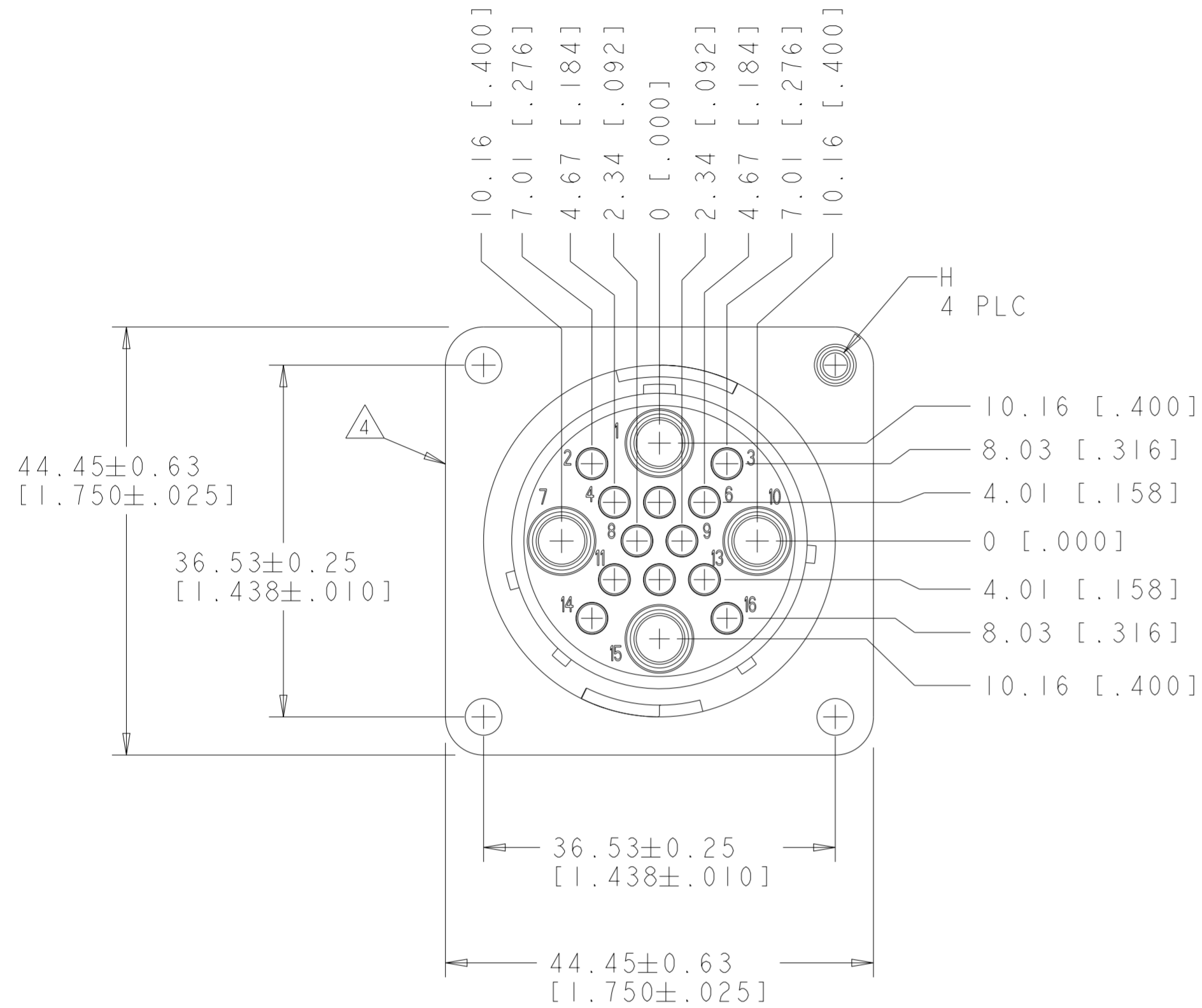


P	LTR	DESCRIPTION	DATE	DWN	APVD
D		REVISED PER ECO-21-006943	18OCT2021	RK	MZ



- ① HOUSING & PRESSURE PLATE: NYLON, BLACK.
WIRE ENTRY SEAL: ELASTOMER, RED-IRON OXIDE.
PERIPHERAL SEAL: ELASTOMER, BLACK.
- 2. WILL ACCEPT (12) MULTIMATE PINS AND (4) POWER MALE CONTACTS.
- ③ OBSOLETE PARTS: OBSOLETE CIS STREAMLINING PER D.RENAUD/D.SINISI
- ④ TE LOGO AND PART NUMBER LOCATED ON ANY FLANGE EDGE

③	OBSOLETE	POWER	3.81 ± 0.07 [.150 ± .003]	796466-3
	OBSOLETE	STD	W/ THREADED INSERTS	796466-2
		STD	3.81 ± 0.07 [.150 ± .003]	796466-1
		WIRE ENTRY SEAL	H	PART NUMBER

DIMENSIONS:		TOLERANCES UNLESS OTHERWISE SPECIFIED:		DWN		CHK		APVD		NAME	
mm	[INCHES]	0 PLC	±	S. WELDON	IOMAY00	K. DOWHOWER	IOMAY00	K. DOWHOWER	IOMAY00	RECEPTACLE ASSY, SERIES 6, STANDARD SEX, SIZE 23-16, CIRCULAR PLASTIC CONNECTOR	
		1 PLC	±	PRODUCT SPEC		108-1579		APPLICATION SPEC		SIZE	CAGE CODE
		2 PLC	±0.02	WEIGHT		-		A200779		SCALE	DRAWING NO
		3 PLC	±	CUSTOMER DRAWING		-		C-796466		SHEET	OF
		4 PLC	±	MATERIAL		-		-		REV	D
		ANGLES	±	FINISH		-		-			

RECOMMENDED PANEL CUTOUT