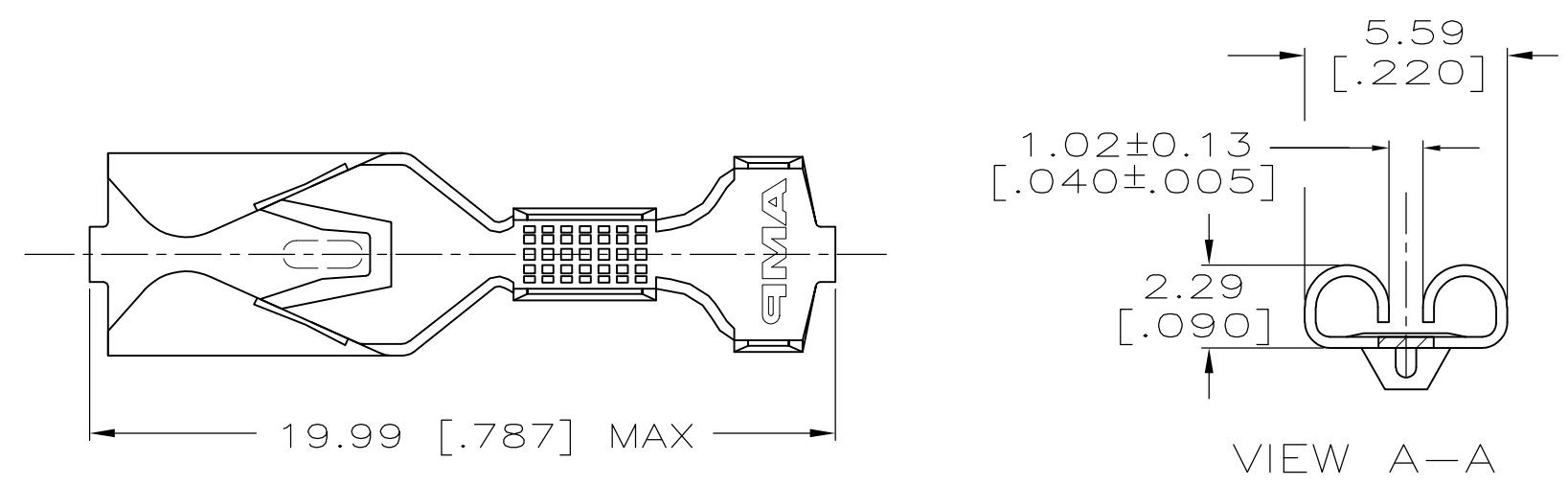
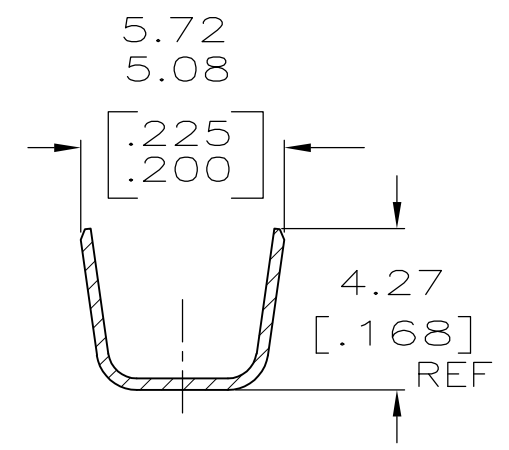
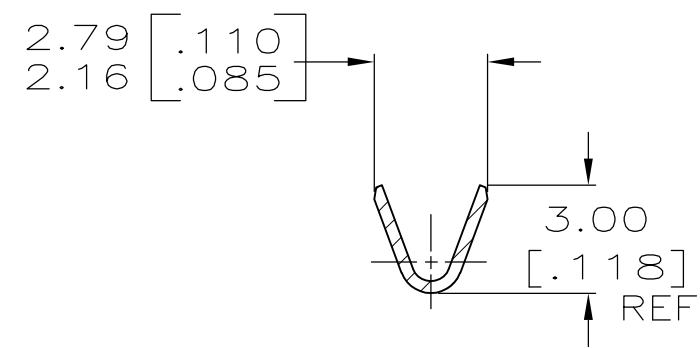
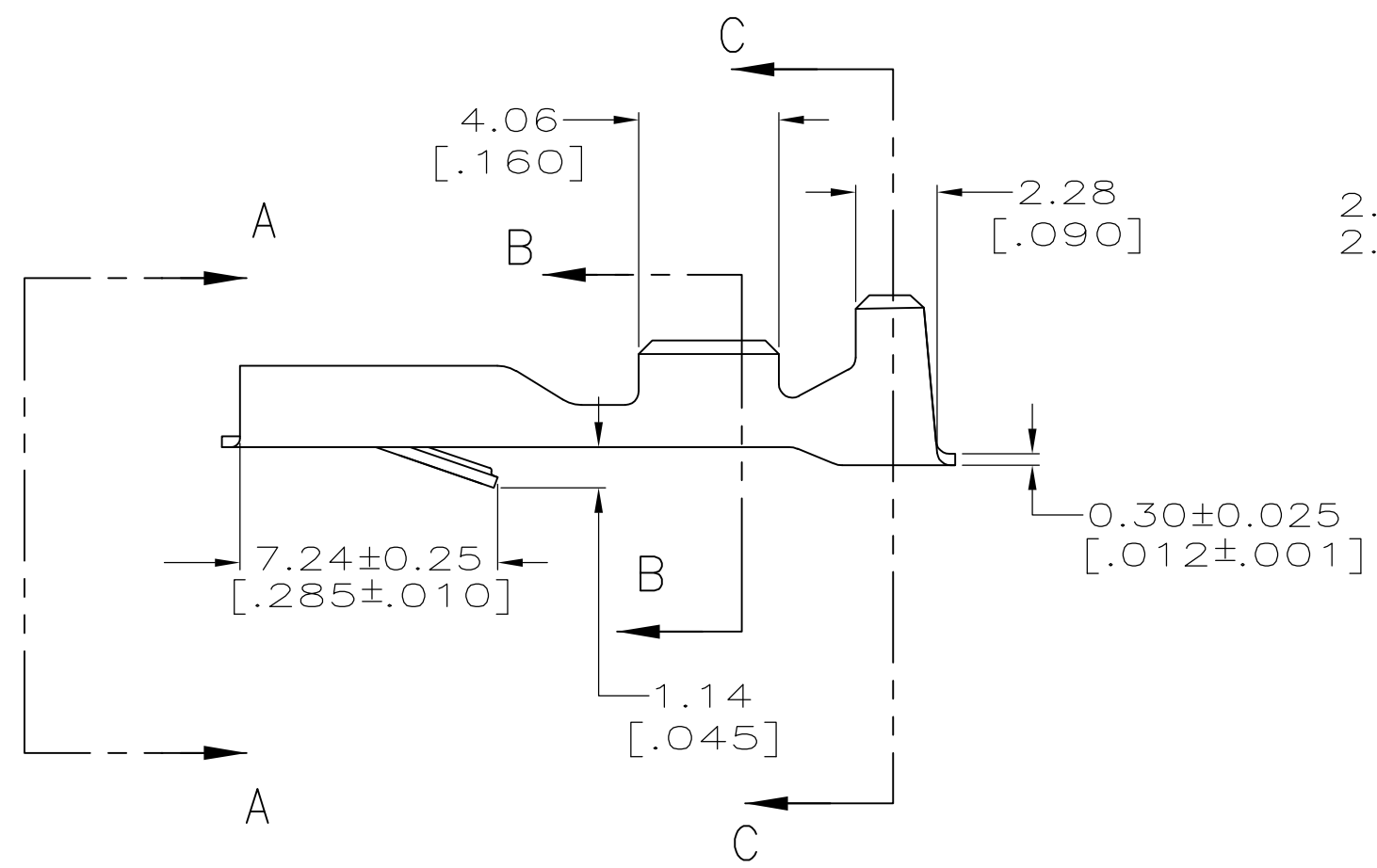


THIS DRAWING IS UNPUBLISHED. RELEASED FOR PUBLICATION
 © COPYRIGHT - By - ALL RIGHTS RESERVED.


LOC	DIST	REVISIONS			
P	LTR	DESCRIPTION	DATE	DWN	APVD
AF	50	A	REVISED PER ECR-13-005733	27AUG2013	KH PD



- 1 SUPPLIED IN LOOSE PIECE.
- 2 TO BE USED WITH 60434 AND HOUSING 480252.
- 3 MAY BE USED WITH INDIVIDUAL 4.75 X 0.51 [.187 X .020] THK TAB.
- 4 WIRE SIZE IS [#20-#16] AWG.
- 5 INSULATION RANGE IS 2.29-3.30 [.090-.130] DIA. OR TWO AT



60520-1
PART NO.

THIS DRAWING IS A CONTROLLED DOCUMENT.		DWN	JR RUTH	5/23/97	 TE Connectivity											
DIMENSIONS: mm [INCHES]		CHK	MS FEHER	5/23/97												
TOLERANCES UNLESS OTHERWISE SPECIFIED:		APVD	J GILLESPIE	5/23/97												
<table border="0"> <tr><td>0 PLC</td><td>± -</td></tr> <tr><td>1 PLC</td><td>± -</td></tr> <tr><td>2 PLC</td><td>± 0.38 [.015]</td></tr> <tr><td>3 PLC</td><td>± -</td></tr> <tr><td>4 PLC</td><td>± -</td></tr> <tr><td>ANGLES</td><td>± -</td></tr> </table>		0 PLC	± -	1 PLC		± -	2 PLC	± 0.38 [.015]	3 PLC	± -	4 PLC	± -	ANGLES	± -	PRODUCT SPEC	
0 PLC	± -															
1 PLC	± -															
2 PLC	± 0.38 [.015]															
3 PLC	± -															
4 PLC	± -															
ANGLES	± -															
MATERIAL BRASS		FINISH PRE-TIN		APPLICATION SPEC												
		WEIGHT		-												
		CUSTOMER DRAWING		SIZE	A3											
				CAGE CODE	00779											
				DRAWING NO	C-60520											
				RESTRICTED TO	-											
				SCALE	5:1											
				SHEET	1 OF 1											
				REV	A											