

# Security Switches

## Anti-Vandal, Pushbutton

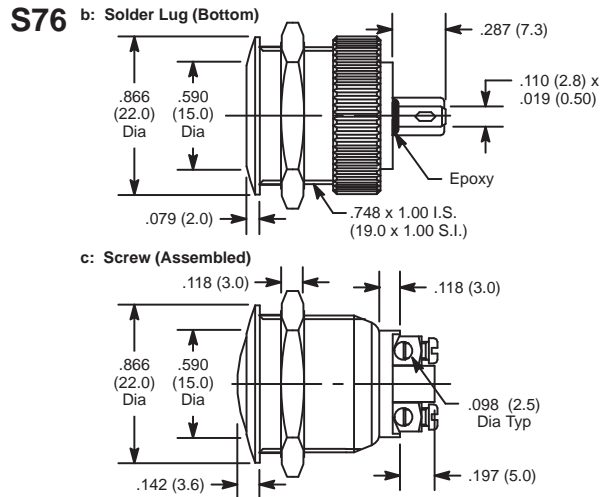
### Features

- .748" (19mm) bushing diameter



NTE Type No.	Circuitry	Action		Actuator	Diag No.
54-377	SPST-NO	OFF	(ON)	Stainless Steel, Flat	S76b
54-378	SPST-NO	OFF	(ON)	Stainless Steel, Curved	S76c
54-378E	SPST-NO	OFF	(ON)	Stainless Steel, Curved	S76c

SPECIAL NOTE: ( ) = Momentary Function



## Specifications

**Contact Rating:** 2A 48VDC max. (resistive load)  
**Initial Contact Resistance:** 10 Milliohms (max.) at 1A, 2V  
**Insulation Resistance:** 100 Megohms (min.) at 500VDC  
**Dielectric Strength:** 2000V RMS (min.)  
**Temperature Rating:** -4° to +131°F (-20° to +55°C)  
**Electrical Life:** 10,000 cycles min. at full load  
**Mechanical Life:** 1,000,000 cycles min.  
**Terminal Type:** Refer to Diag No. in Table  
**Mounting Hole:** .756 (19.2)

## Anti-Vandal, Pushbutton

### Features

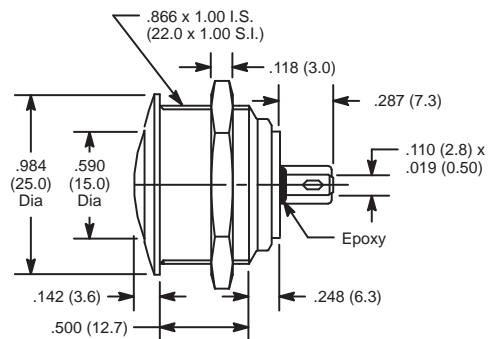
- .866" (22mm) bushing diameter



NTE Type No.	Circuitry	Action		Actuator	Diag No.
54-379	SPST-NO	OFF	(ON)	Stainless Steel, Curved	S77b

SPECIAL NOTE: ( ) = Momentary Function

### S77 b: Solder Lug (Bottom)



## Specifications

**Contact Rating:** 2A 48VDC max. (resistive load)  
**Initial Contact Resistance:** 10 Milliohms (max.) at 1A, 2V  
**Insulation Resistance:** 100 Megohms (min.) at 500VDC  
**Dielectric Strength:** 2000V RMS (min.)  
**Temperature Rating:** -4° to +131°F (-20° to +55°C)  
**Electrical Life:** 10,000 cycles min. at full load  
**Mechanical Life:** 1,000,000 cycles min.  
**Terminal Type:** Solder Lug/Quick-Connect  
**Mounting Hole:** .756 (19.2)

# Security Switches

## Economy Anti-Vandal, Pushbutton

### Features

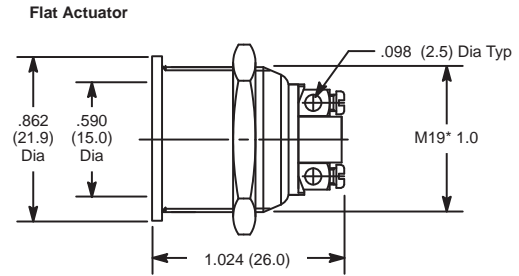
- .748" (19mm) bushing diameter



NTE Type No.	Circuitry	Action	Actuator	Diag No.
54-375E	SPST-NO	OFF (ON)	Stainless Steel, Flat	S124

SPECIAL NOTE: ( ) = Momentary Function

### S124



## Specifications

**Contact Rating:** 5A 48VDC max.  
**Initial Contact Resistance:** 50 Milliohms (max.) initial  
**Insulation Resistance:** 100 Megohms (min.)  
**Dielectric Strength:** 2000VAC for 1 minute  
**Temperature Rating:** -4° to +158°F (-20° to +70°C)  
**Operating Life:** 200,000 cycles  
**Terminal Type:** Screw Type  
**Mounting Hole:** .756 (19.2)

## Security, Pushbutton



### Features

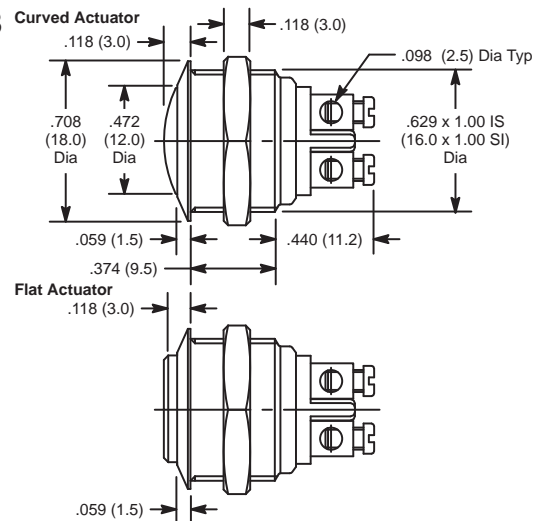
- .629" (16mm) bushing diameter



NTE Type No.	Circuitry	Action	Actuator	Diag No.
54-460	SPST-NO	OFF (ON)	Stainless Steel, Curved	S78
54-474	SPST-NO	OFF (ON)	Nickel Plated Brass, Flat	S78

SPECIAL NOTE: ( ) = Momentary Function

### S78



## Specifications

**Contact Rating:** 100-400mA 48VDC max. (resistive load)  
**Initial Contact Resistance:** 50 Milliohms (max.)  
**Insulation Resistance:** 1000 Megohms (min.) at 500VDC  
**Dielectric Strength:** 2000V RMS (min.)  
**Temperature Rating:** -4° to +131°F (-20° to +55°C)  
**Electrical Life:** 50,000 cycles min. at 200mA 48VDC  
**Mechanical Life:** 1,000,000 cycles min.  
**Terminal Type:** Screw Type  
**Mounting Hole:** .638 (16.2)

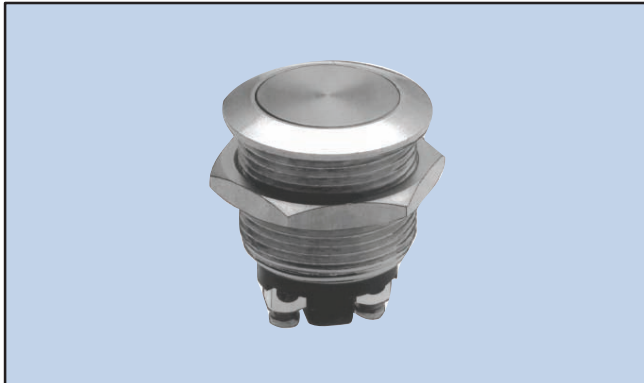
# Security Switches

## Security, Pushbutton



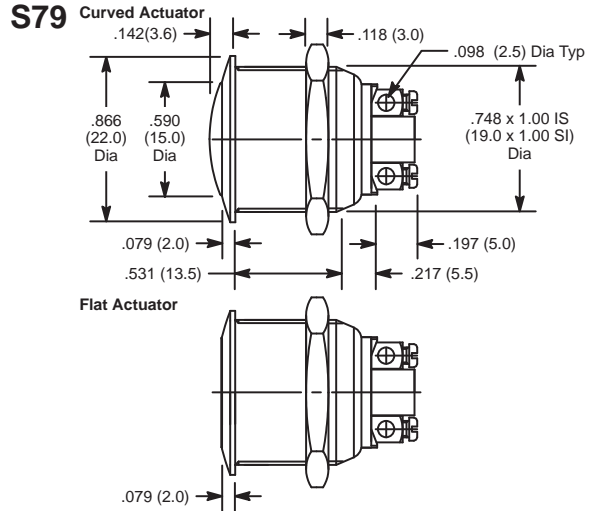
### Features

- .748" (19mm) bushing diameter



NTE Type No.	Circuitry	Action		Actuator	Diag No.
54-375	SPST-NO	OFF	(ON)	Nickel Plated Brass, Flat	S79
54-376	SPST-NO	OFF	(ON)	Nickel Plated Brass, Curved	S79

SPECIAL NOTE: ( ) = Momentary Function



## Specifications

**Contact Rating:** 2A 48VDC max. (resistive load)  
**Initial Contact Resistance:** 10 Milliohms (max.) at 1A, 2V  
**Insulation Resistance:** 1000 Megohms (min.) at 500VDC  
**Dielectric Strength:** 2000V RMS (min.)  
**Temperature Rating:** -4° to +131°F (-20° to +55°C)  
**Electrical Life:** 10,000 cycles min. full load  
**Mechanical Life:** 1,000,000 cycles min.  
**Terminal Type:** Screw Type  
**Mounting Hole:** .756 (19.2)

## Security, Pushbutton



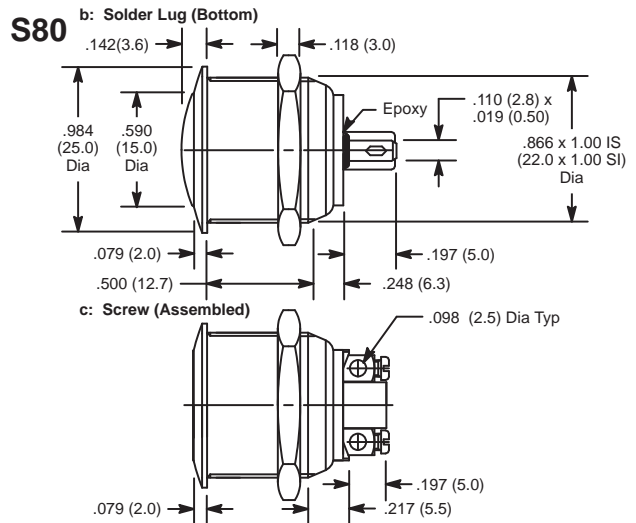
### Features

- .866" (22mm) bushing diameter



NTE Type No.	Circuitry	Action		Actuator	Diag No.
54-461	SPST-NO	OFF	(ON)	Nickel Plated Brass, Curved	S80c
54-462	SPST-NO	OFF	(ON)	Nickel Plated Brass, Curved	S80b
54-463	SPST-NO	OFF	(ON)	Nickel Plated Brass, Flat	S80c

SPECIAL NOTE: ( ) = Momentary Function



## Specifications

**Contact Rating:** 2A 48VDC max. (resistive load)  
**Initial Contact Resistance:** 10 Milliohms (max.) at 1A, 2V  
**Insulation Resistance:** 1000 Megohms (min.) at 500VDC  
**Dielectric Strength:** 2000V RMS (min.)  
**Temperature Rating:** -4° to +131°F (-20° to +55°C)  
**Electrical Life:** 10,000 cycles min. full load  
**Mechanical Life:** 1,000,000 cycles min.  
**Terminal Type:** Refer to Diag No. in Table  
**Mounting Hole:** .874 (22.2)

# Security Switches

## Security, Pushbutton



S81

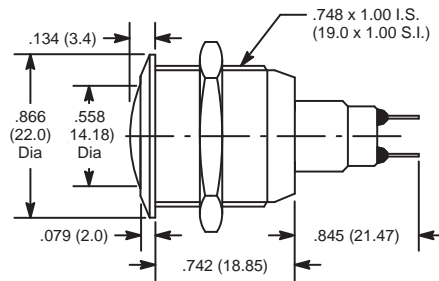
### Features

- .748" (19mm) bushing diameter



NTE Type No.	Circuitry	Action	Actuator	Diag No.
54-465	SPST-NO	ON* OFF*	Nickel Plated Brass, Curved	S81

SPECIAL NOTE: ( ) = Momentary Function  
\* = Alternate Action (Push ON/Push OFF)



### Specifications

**Contact Rating:** 3A 120VAC or 28VDC, 1.5A 250VAC <sup>(1)</sup>  
1A 120VAC or 28VDC, 0.5A 250VAC <sup>(2)</sup>  
(max. resistive load)

**Initial Contact Resistance:** 10 Milliohms (max.) at 3V, 0.1A  
**Insulation Resistance:** 10,000 Megohms (min.)

**Dielectric Strength:** 1000V RMS (min.)

**Temperature Rating:** -22° to +185°F (-30° to +85°C)

**Electrical Life:** 10,000<sup>(1)</sup>/250,000<sup>(2)</sup> cycles min. full load

**Mechanical Life:** 1,00,000 cycles (min.)

**Terminal Type:** Solder Lug

**Mounting Hole:** .756 (19.2)

## Security, Pushbutton



S82 Flat Actuator

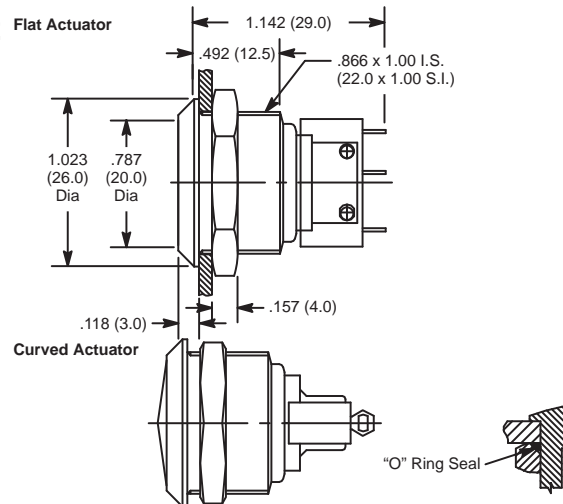
### Features

- .866" (22mm) bushing diameter
- Large Actuator



NTE Type No.	Circuitry	Action	Actuator	Diag No.
54-466	SPST-NO/NC	ON (OFF)	Stainless Steel, Flat	S82
54-468	SPST-NO/NC	ON (OFF)	Stainless Steel, Curved	S82

SPECIAL NOTE: ( ) = Momentary Function



### Specifications

**Contact Rating:** 5A 250VAC max.

**Initial Contact Resistance:** 100 Milliohms (max.)

**Insulation Resistance:** 1000 Megohms (min.) at 500VDC

**Dielectric Strength:** 2000V RMS (min.)

**Temperature Rating:** -4° to +131°F (-20° to +55°C)

**Electrical Life:** 1,000,000 cycles (min.) at 1A 250VAC or 100,00 cycles at full load

**Mechanical Life:** 3,000,000 cycles min.

**Terminal Type:** Solder Lug

**Mounting Hole:** .874 (22.2)

# Security Switches

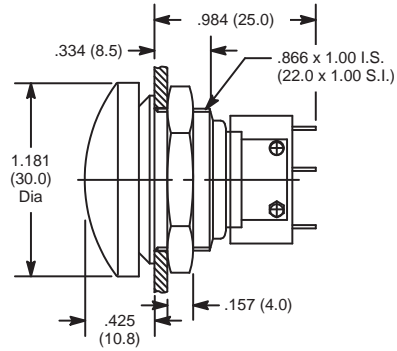
## Security, Pushbutton



S83

### Features

- .866" (22mm) bushing diameter
- Mushroom Head Actuator



NTE Type No.	Circuitry	Action		Actuator	Diag No.
54-470	SPST-NO/NC	ON	(OFF)	Nickel Plated Brass, Black	S83

SPECIAL NOTE: ( ) = Momentary Function

## Specifications

**Contact Rating:** 5A 250VAC max.  
**Initial Contact Resistance:** 100 Milliohms (max.)  
**Insulation Resistance:** 1000 Megohms (min.) at 500VDC  
**Dielectric Strength:** 2000V RMS (min.)  
**Temperature Rating:** -4° to +131°F (-20° to +55°C)  
**Electrical Life:** 1,000,000 cycles (min.) at 1A 250VAC or 100,000 cycles at full load  
**Mechanical Life:** 1,000,000 cycles min.  
**Terminal Type:** Solder lug  
**Mounting Hole:** .874 (22.2)

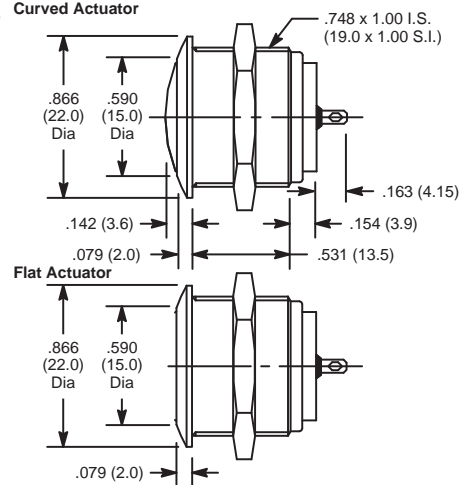
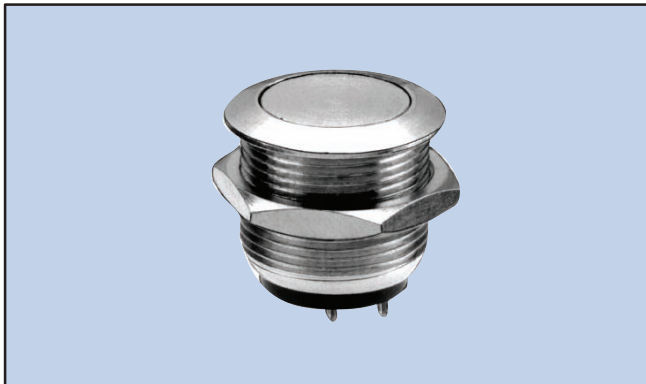
## Snap-Action Security, Pushbutton



S85 Curved Actuator

### Features

- .748" (19mm) bushing diameter



NTE Type No.	Circuitry	Action		Actuator	Diag No.
54-472	SPST-NO	OFF	(ON)	Nickel Plated Brass, Curved	S85
54-473	SPST-NO	OFF	(ON)	Nickel Plated Brass, Flat	S85

SPECIAL NOTE: ( ) = Momentary Function

## Specifications

**Contact Rating:** 50mA 24VDC max. (Resistive Load)  
**Initial Contact Resistance:** 100 Milliohms (max.)  
**Insulation Resistance:** 1000 Megohms (min.) at 500VDC  
**Dielectric Strength:** 500V RMS (min.)  
**Temperature Rating:** -22° to +158°F (-30° to +70°C)  
**Electrical Life:** 1,000,000 cycles at full load  
**Mechanical Life:** 100,000 cycles at 300mA 24V  
**Operating Force:** 7 N ±2 N  
**Terminal Type:** Solder lug  
**Mounting Hole:** .756 (19.2)