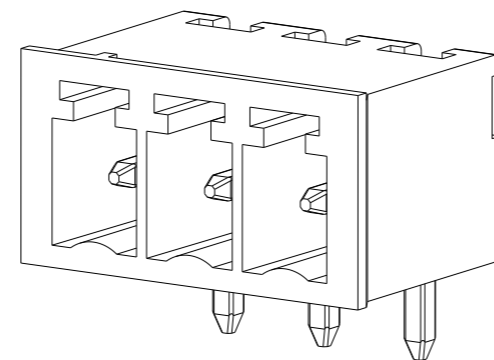
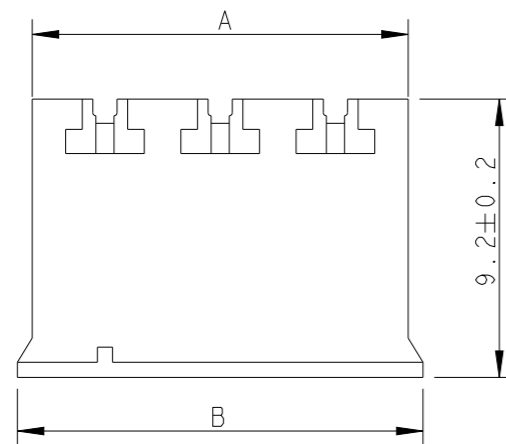
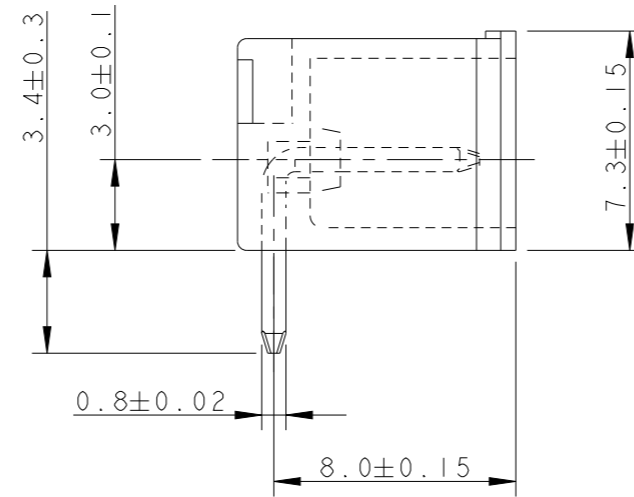
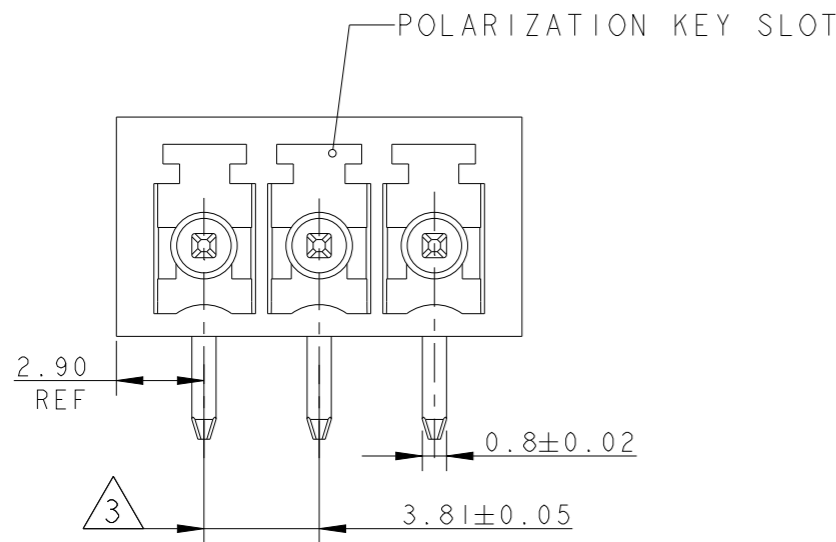


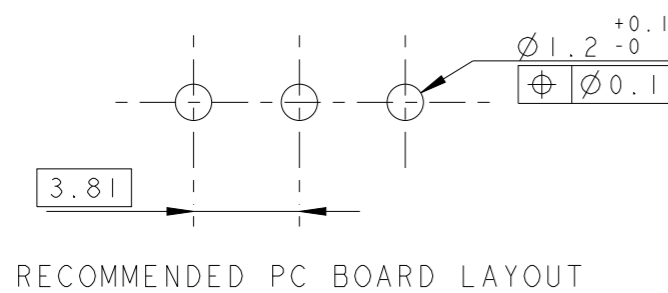
P	LTR	DESCRIPTION	DATE	DWN	APVD
	C2	REVISED PER ECO-20-006341	31MAY2020	SS	PS



284513-3 AS SHOWN

- 1 MATERIALS AND FINISH  
HOUSING : PA 6.6, UL 94-V0, COLOR GREEN  
TERMINAL : PHOSPHOR BRONZE, TIN PLATED
- 2 SUITABLE FOR 1.6-2.4 mm. PC BOARD THICKNESS
- 3 NOT CUMULATIVE TOLERANCE

97.24	96.26	25	2-284513-5
93.43	92.45	24	2-284513-4
89.62	88.64	23	2-284513-3
85.81	84.83	22	2-284513-2
82.00	81.02	21	2-284513-1
78.19	77.21	20	2-284513-0
74.38	73.40	19	1-284513-9
70.57	69.59	18	1-284513-8
66.76	65.78	17	1-284513-7
62.95	61.97	16	1-284513-6
59.14	58.16	15	1-284513-5
55.33	54.35	14	1-284513-4
51.52	50.54	13	1-284513-3
47.71	46.73	12	1-284513-2
43.90	42.92	11	1-284513-1
40.09	39.11	10	1-284513-0
36.28	35.30	9	284513-9
32.47	31.49	8	284513-8
28.66	27.68	7	284513-7
24.85	23.87	6	284513-6
21.04	20.06	5	284513-5
17.23	16.25	4	284513-4
13.42	12.44	3	284513-3
9.61	8.63	2	284513-2
B	A	NO OF POS	PART NUMBER



RECOMMENDED PC BOARD LAYOUT

THIS DRAWING IS A CONTROLLED DOCUMENT.		DWN 06FEB2002 E. ZANOLINI	TE Connectivity	
DIMENSIONS: mm		CHK 06FEB2002 E. ZANOLINI		
TOLERANCES UNLESS OTHERWISE SPECIFIED:		APVD 06FEB2002 D. BIEVENOUR	NAME TERMINAL BLOCK, HEADER ASSEMBLY 90 DEGREES, CLOSED ENDS 3.81mm PITCH	
0 PLC ±.3 1 PLC ±.3 2 PLC ±.25 3 PLC ±. 4 PLC ±. ANGLES ±2		PRODUCT SPEC	SIZE	CAGE CODE
MATERIAL		APPLICATION SPEC 114-20079	A300779	DRAWING NO C-284513
FINISH		WEIGHT -	RESTRICTED TO	
		CUSTOMER DRAWING	SCALE 4:1	SHEET 1 OF 1
				REV C2