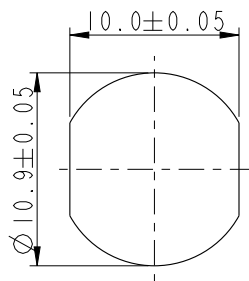
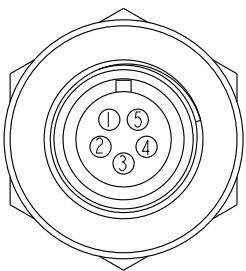


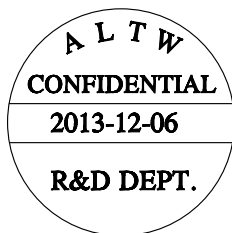
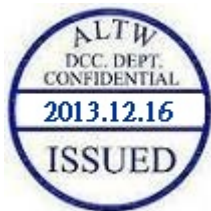
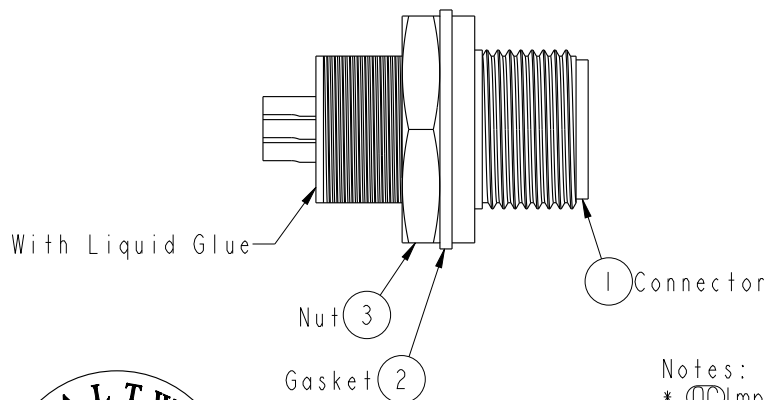
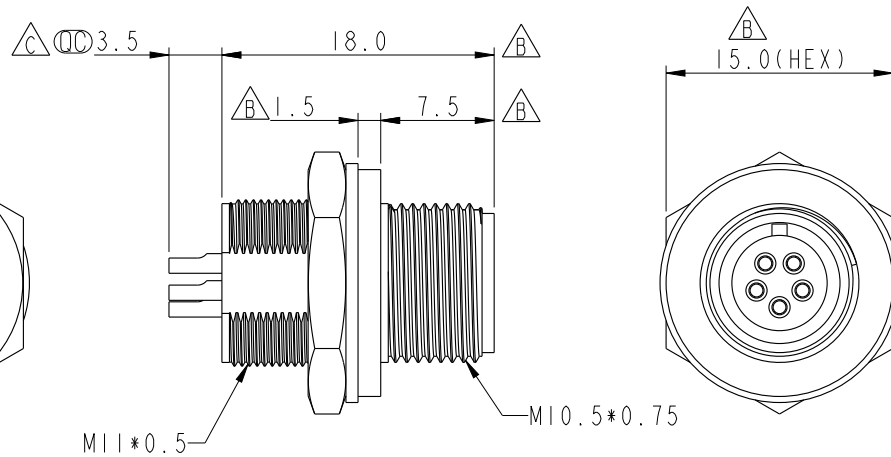
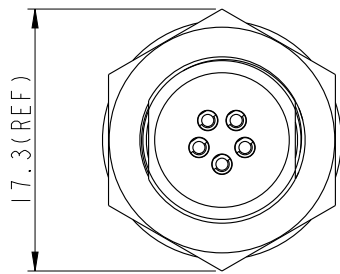
REV.	ECN NO.	DATE	SIGN	DESCRIPTION
B	LEN-910200	2009/01/16	Vicky	Update the drawing
C	LEN13C0085	2013/12/06	Tony_leng	Change 3.3 To 3.5mm



Recommended Panel Cut-Out



Pin Assignments  
Front View



- Notes:
- \*  $\text{CC}$  Important Dimension.
  - \* Waterproof Rate: IP67.
  - \* Connector: Black, Nylon+GF.
  - \* Female Pin: Copper Alloy, Gold Plated.
  - \* Gasket: Black, EPDM.
  - \* Nut: Copper Alloy, Nickel Plated.
  - \* Shield: Copper Alloy, Nickel Plated.
  - \* For Panel Thickness Max: 6.0mm.
  - \*  $\text{B}$  Nut Torque: 4~6 Kgf.cm

UNIT: mm		
TOLERANCE	.X ±0.25	
.XX ±0.1		
.XXX ±0.05		
ANGLES	±1°	

TITLE	$\text{B}$ M10.5 Conn Panel Screw 5P M Conn F Pin		
SCALE	2:1	SIZE	A4
REV.	C	WC-REV.	B.2
		$\text{CC}$	Inspection item

**Amphenol LTW**  
安費諾亮泰企業股份有限公司

ITEM NO	105-05PMFS-SC7001	DRAWN BY	Tony_leng	DATE	2013-12-06
DWG NO	105-05PMFS-SC7001	CHECKED BY	Rensong	DATE	2013-12-06
CUSTOMER	ALTW	APPROVED BY	Jerry	DATE	2013-12-06

THIS DOCUMENT IS SUBJECT TO CHANGE WITHOUT NOTICE. IT IS CONFIDENTIAL AND A PROPERTY OF Amphenol LTW. DISCLOSURE TO THIRD PARTY HAS TO BE AUTHORIZED BY Amphenol LTW.