

10

9

8

7

6

5

4

3

2

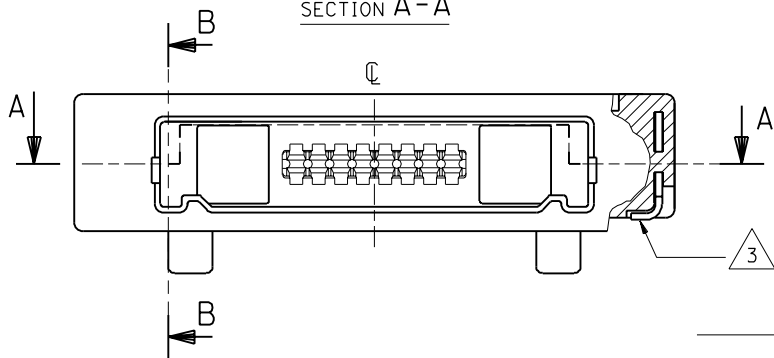
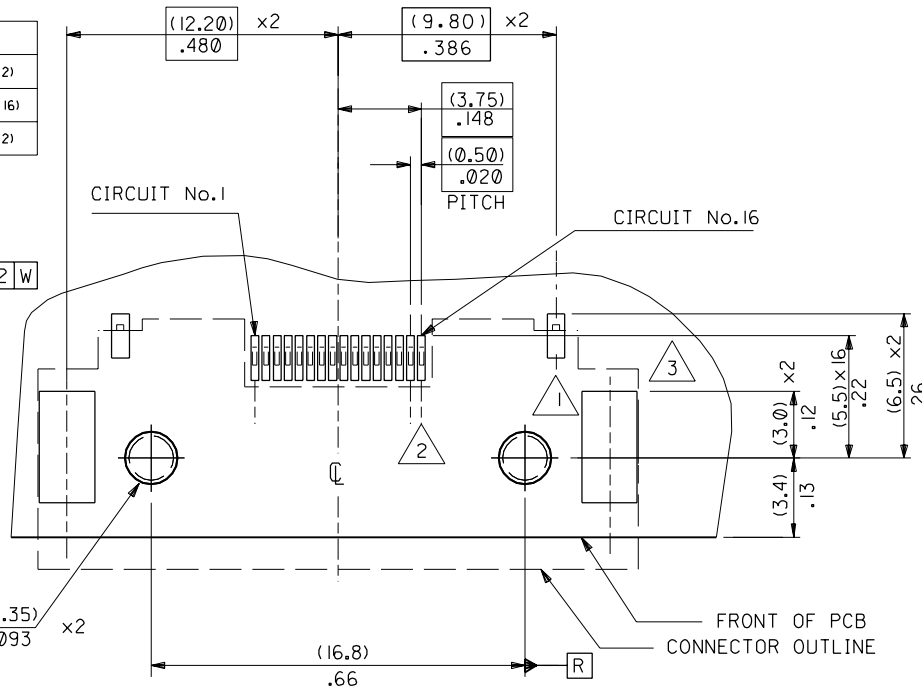
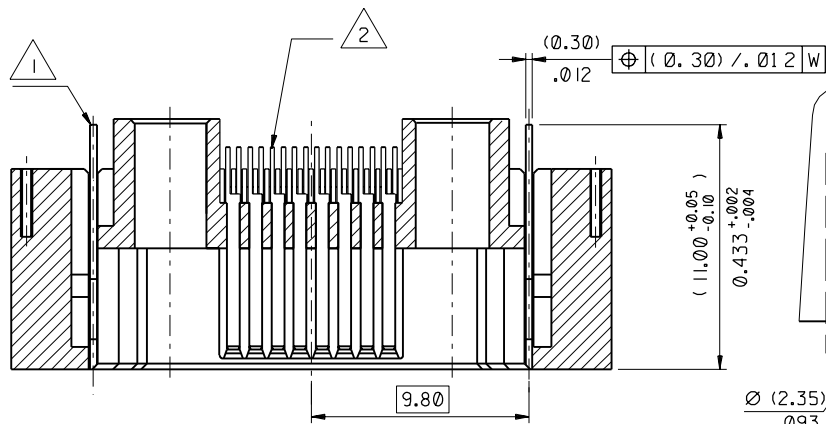
1

PART NO.

90811-0113

SDA-90811-0113

COMPONENT	PCB PAD DIMENSION	QTY
LOCKING LATCHES	(0.80)/.031 x (2.0)/.079	$\text{⌀} (0.10) / .004 \text{ R} (x2)$
SIGNAL CONTACTS	$(0.35 \pm 0.05) / .014 \pm 0.002 \times (2.0) / .08$	$\text{⌀} (0.10) / .004 \text{ R} (x16)$
SMT RETENTION PADS	(2.50)/.098 x (5.0)/.197	$\text{⌀} (0.10) / .004 \text{ R} (x2)$



NOTES:  
 I. FOR MISSING DIMENSIONS SEE DRAWING SDA-90811-0109

FOR PREVIOUS  
 DRAWING ISSUES  
 SEE MRI.

ORIGINAL RELEASE ECN E70749 97-06-06 HL	DIMENSIONS SHOWN ( METRIC ) INCH UNLESS OTHERWISE SPECIFIED TOLERANCES: ANGULAR $\pm \frac{1}{2}^\circ$	DRWG BY <b>HL</b>
LTR REVISIONS	INCH ( METRIC )	CHK'D BY
A	3 PLACE $\pm .002$	APP'D BY
	2 PLACE $\pm .004$ $\pm .05$	SCALE
	1 PLACE $\pm .010$	5:1
	DRAFT WHERE APPLICABLE MUST REMAIN WITHIN DIMENSIONS	
	DESIGN DIMENSION <input checked="" type="checkbox"/> (MM) (PRIMARY) <input type="checkbox"/> IN.	
	EQUIVALENT DIMENSION <input type="checkbox"/> (MM) (SECONDARY) <input checked="" type="checkbox"/> IN.	

REVISE ONLY ON CAD SYSTEM		SHL	REV.
CAD/CAM FILENAME S908103 DGN	THIS DRAWING CONTAINS INFORMATION THAT IS PROPRIETARY TO MOLEX INC. & SHOULD NOT BE USED WITHOUT WRITTEN PERMISSION		
TITLE I/O CONNECTOR FOR MOBILE PHONE			
MOLEX MOLEX EUROPE		SHEET NO. 10F1	DATE 97/06/06
PART NO. 90811-0113	DWG NO. SDA-90811-0113	SIZE B	

10

9

8

7

6

5

4

3

2

1