

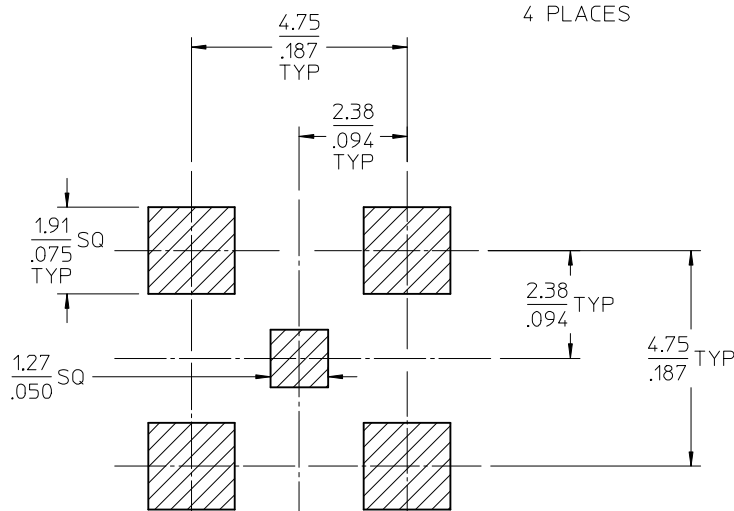
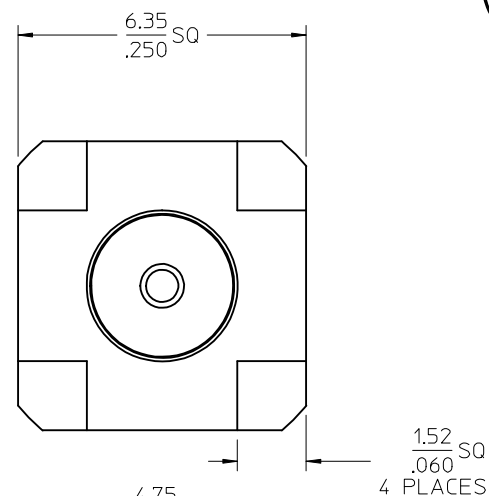
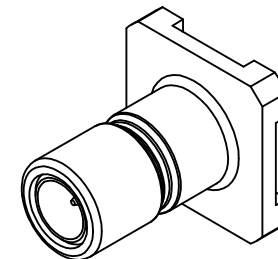
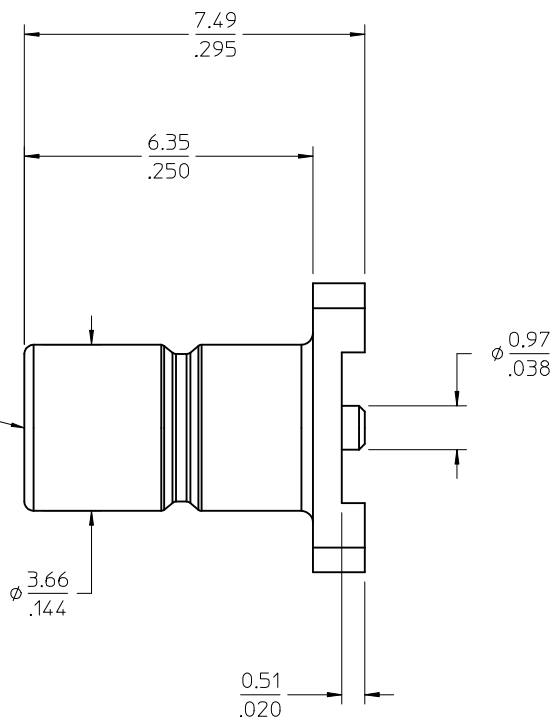
MATERIALS AND FINISHES

BODY: BRASS  
PLATED GOLD

CONTACT: BRASS  
PLATED GOLD

INSULATOR: TEFLON

SMB JACK  
INTERFACE  
50 OHM



RECOMMENDED PCB LAYOUT

73404-1892	TAPE AND REEL WITH KAPTON TAPE
73404-1891	TAPE AND REEL (NO KAPTON TAPE)
73404-1890	TRAY
PART NO.	PACKAGING

PS-89675-3540	PRODUCT SPECIFICATION
MIL-STD-348A, FIG. 311.1	INTERFACE
SPECIFICATION	DESCRIPTION

CHGADDED PACKAGE DRAWING PER RF15-E137 EC NO: URF2015-0462 2015/02/26 DRWNLIN CHKD: APPR: YCHENG 2015/03/04 REV: A1	QUALITY SYMBOLS
	= 0 = 0
	DESCRIPTION
	REV

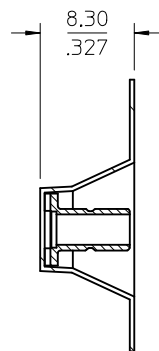
GENERAL TOLERANCES (UNLESS SPECIFIED)															
<table border="1"> <tr> <th></th> <th>mm</th> <th>INCH</th> </tr> <tr> <td>4 PLACES</td> <td>± .005</td> <td>± .0002</td> </tr> <tr> <td>3 PLACES</td> <td>± .004</td> <td>± .00015</td> </tr> <tr> <td>2 PLACES</td> <td>± .003</td> <td>± .0001</td> </tr> <tr> <td>1 PLACE</td> <td>± .002</td> <td>± .000075</td> </tr> </table>		mm	INCH	4 PLACES	± .005	± .0002	3 PLACES	± .004	± .00015	2 PLACES	± .003	± .0001	1 PLACE	± .002	± .000075
	mm	INCH													
4 PLACES	± .005	± .0002													
3 PLACES	± .004	± .00015													
2 PLACES	± .003	± .0001													
1 PLACE	± .002	± .000075													
ANGULAR ± 2 °															
DRAFT WHERE APPLICABLE MUST REMAIN WITHIN DIMENSIONS															

DIMENSION STYLE	MM/IN
DRAWN BY	DATE
CHECKED BY	DATE
APPROVED BY	DATE
MATERIAL NO.	SEE TABLE
SIZE	C

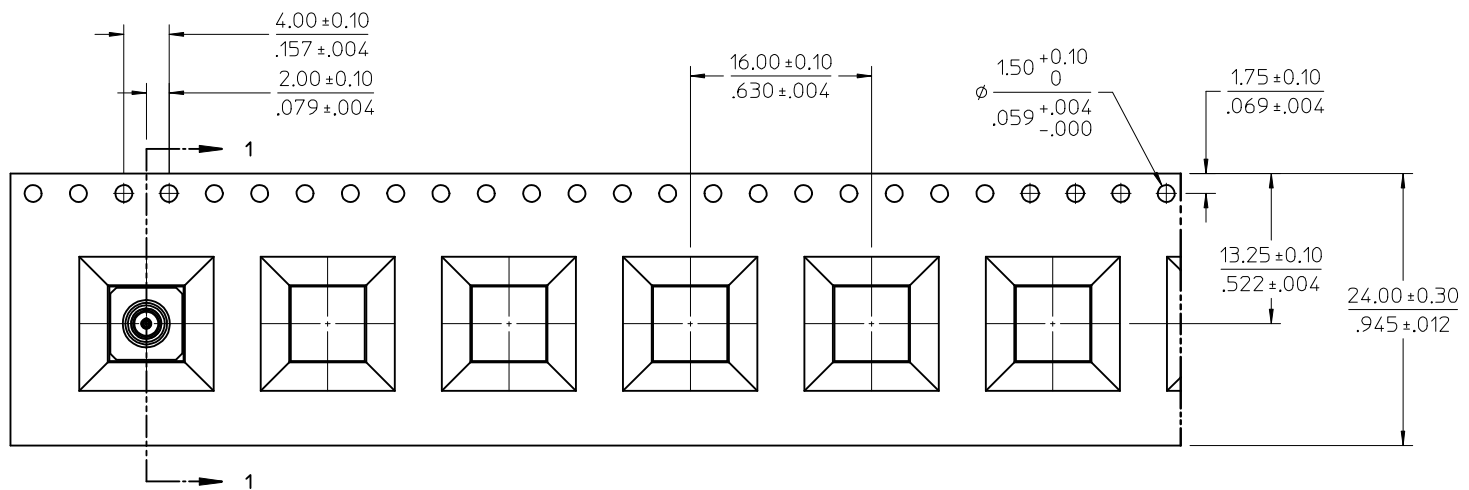
SCALE	DESIGN UNITS	THIRD ANGLE PROJECTION
	INCH	
TITLE		
SMB JACK 50 OHM VERTICAL PCB SMT EWR-2912, SMB-J/PCB		
MOLEX INCORPORATED		DOCUMENT NO.
SD-73404-189		SHEET NO.
		1 OF 4
THIS DRAWING CONTAINS INFORMATION THAT IS PROPRIETARY TO MOLEX INCORPORATED AND SHOULD NOT BE USED WITHOUT WRITTEN PERMISSION		

13 12 11 10 9 8 7 6 5 4 3 2 1

J I H G F E D C B A

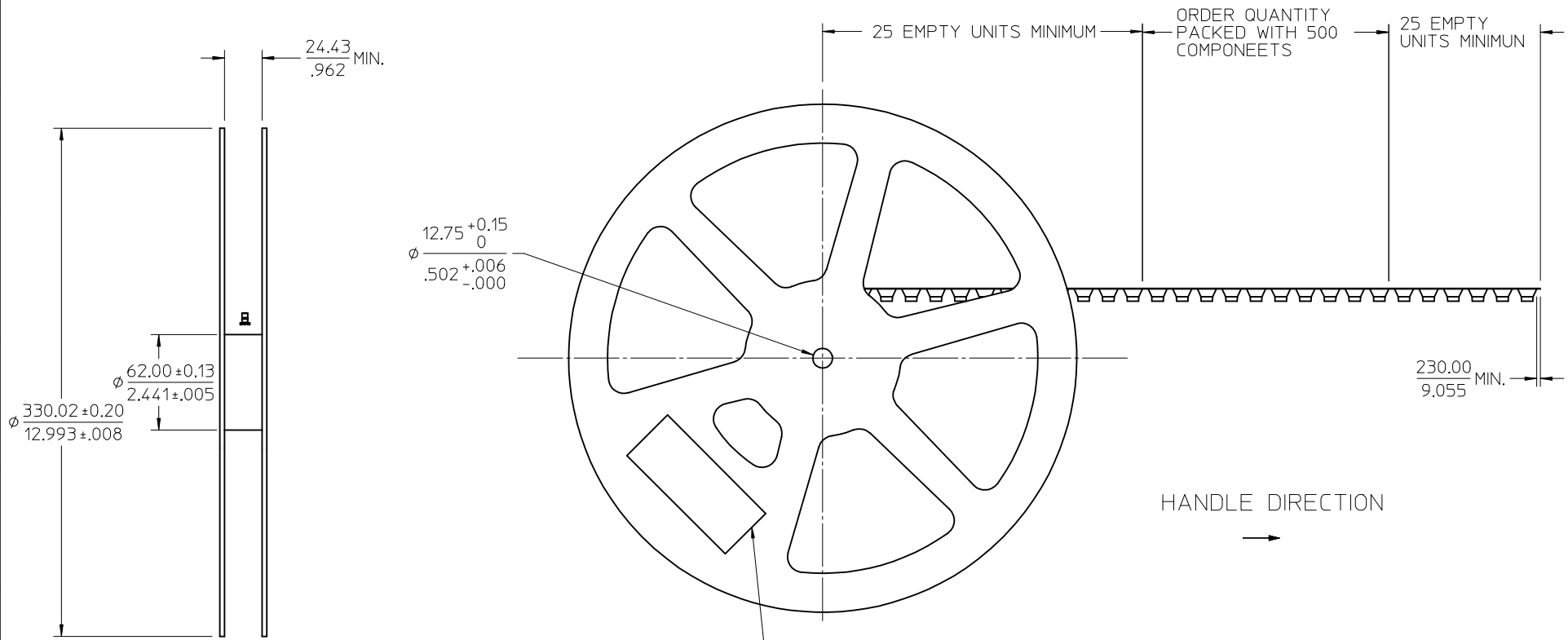


Section 1-1



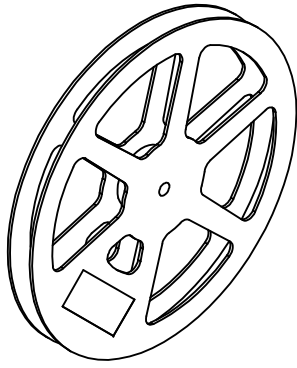
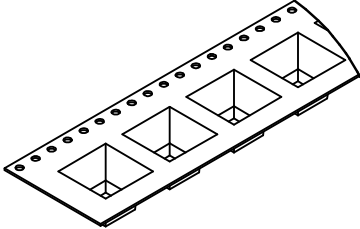
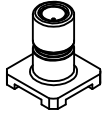
Partial1  
Scale 3:1

SEE SHEET 1 EC NO: URF2015-0462 2015/02/26 DRAWN: LIN CHKD: APPR: YCHENG 2015/03/04	QUALITY SYMBOLS ▽=0 ▽=0 ▽=0	GENERAL TOLERANCES (UNLESS SPECIFIED)		DIMENSION STYLE MM/IN	SCALE 3:1	DESIGN UNITS INCH	THIRD ANGLE PROJECTION		
		4 PLACES ±	---	±	---	DRAWN BY JM		DATE 2005/09/26	TITLE SMB JACK 50 OHM VERTICAL PCB SMT EWR-2912, SMB-J/PCB
		3 PLACES ±	---	±	---	CHECKED BY JM		DATE 2005/09/26	
		2 PLACES ±	---	±	---	APPROVED BY JWIENER		DATE 2011/11/18	
1 PLACE ±	---	±	---	MATERIAL NO.		DOCUMENT NO.	SHEET NO.		
0 PLACE ±	---	±	---	SEE SHEET 1		SD-73404-189	2 OF 4		
ANGULAR ± 2 °				DRAFT WHERE APPLICABLE MUST REMAIN WITHIN DIMENSIONS				THIS DRAWING CONTAINS INFORMATION THAT IS PROPRIETARY TO MOLEX INCORPORATED AND SHOULD NOT BE USED WITHOUT WRITTEN PERMISSION	



- LABEL:
- ORDER
  - QUANTITY
  - PART NUMBER
  - LOT NO.

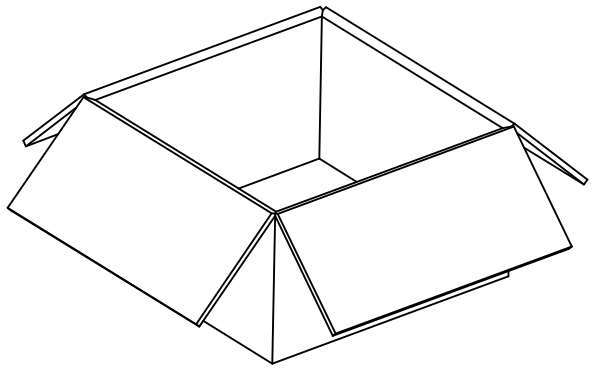
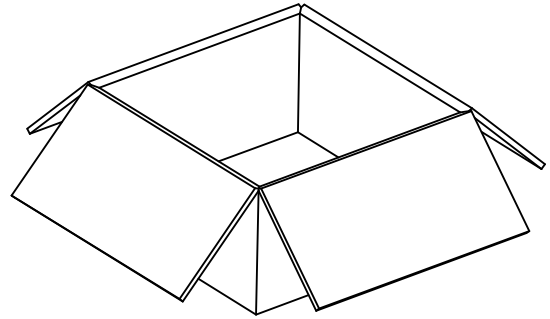
SEE SHEET 1 EC NO: URF2015-0462 DRAWN: LINDA WANG CHKD: YCHENG APPR: YCHENG 2015/02/26 2015/03/04	QUALITY SYMBOLS	GENERAL TOLERANCES (UNLESS SPECIFIED)	DIMENSION STYLE	SCALE	DESIGN UNITS	THIRD ANGLE PROJECTION
	▽=0	mm INCH	MM/IN	1:2	INCH	
	▽=0	4 PLACES ± --- ± ---	DRAWN BY DATE	TITLE		
	▽=0	3 PLACES ± --- ± ---	JM 2005/09/26	SMB JACK 50 OHM VERTICAL PCB SMT EWR-2912, SMB-J/PCB		
	2 PLACES ± --- ± ---	CHECKED BY DATE	mox DOCUMENT NO. SD-73404-189 SHEET NO. 3 OF 4			
	1 PLACE ± --- ± ---	JM 2005/09/26				
	0 PLACE ± --- ± ---	APPROVED BY DATE	THIS DRAWING CONTAINS INFORMATION THAT IS PROPRIETARY TO MOLEX INCORPORATED AND SHOULD NOT BE USED WITHOUT WRITTEN PERMISSION			
		JWIENER 2011/11/18				
REV	DESCRIPTION	ANGULAR ± 2 °	MATERIAL NO.			
A1		DRAFT WHERE APPLICABLE MUST REMAIN WITHIN DIMENSIONS	SEE SHEET 1			



P/N: 73404-1891/-1892

Partial2  
Scale 1.5:1

500 SET PER 13" REEL



2000 SET PER INNER  
CARTON BOX  
343 X 343 X 188 REF.

2000 SET PER OUTER  
CARTON BOX  
394 X 391 X 212 REF.

SEE SHEET 1 EC NO: URF2015-0462 DRAWN: LIN 2015/02/26 CHKD: APPR: YCHENG 2015/03/04	QUALITY SYMBOLS	GENERAL TOLERANCES (UNLESS SPECIFIED)		DIMENSION STYLE	SCALE	DESIGN UNITS	THIRD ANGLE PROJECTION
	▽=0	mm	INCH	MM/IN	4:1	INCH	
	▽=0	4 PLACES ±	±	DRAWN BY	DATE	TITLE	
	▽=0	3 PLACES ±	±	JM	2005/09/26	SMB JACK 50 OHM VERTICAL PCB SMT EWR-2912, SMB-J/PCB	
REV	DESCRIPTION	ANGULAR ± 2 °		CHECKED BY	DATE	DOCUMENT NO.	
A1		DRAFT WHERE APPLICABLE MUST REMAIN WITHIN DIMENSIONS		JM	2005/09/26	SD-73404-189	
				APPROVED BY	DATE	SHEET NO.	
				JWIENER	2011/11/18	4 OF 4	
				MATERIAL NO.		THIS DRAWING CONTAINS INFORMATION THAT IS PROPRIETARY TO MOLEX INCORPORATED AND SHOULD NOT BE USED WITHOUT WRITTEN PERMISSION	
				SEE SHEET 1			