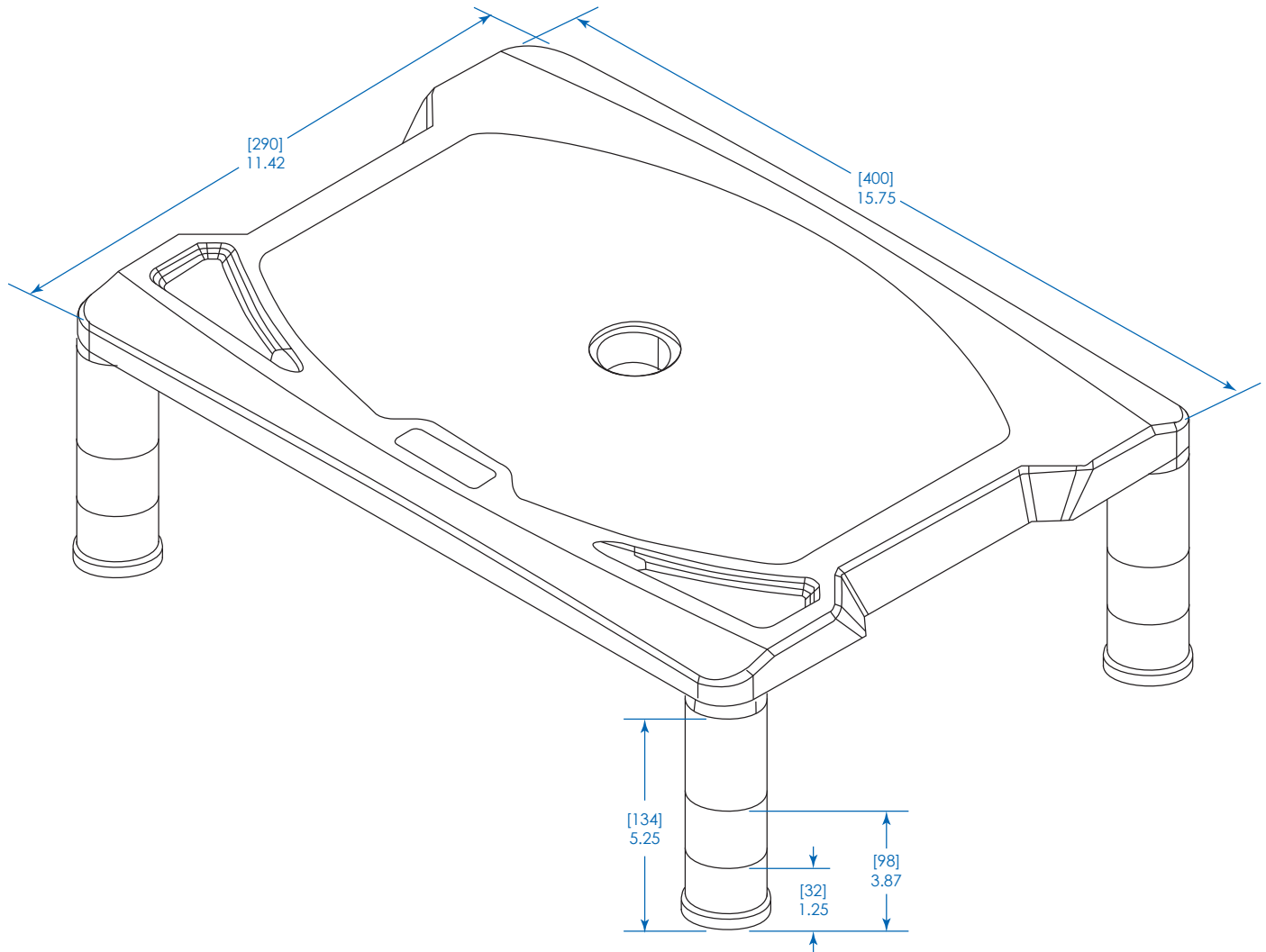


MODEL:

MR1612

Universal Monitor Riser



Specifications

Models	MR1612
Load Rating*	40 lb. / 18 kg
Unit Height (Variable)	1.25 in. / 32 mm (x1 Riser) 3.87 in. / 98 mm (x2 Riser) 5.25 in. / 134 mm (x3 Riser)
Unit Width	15.75 in. / 400 mm
Unit Depth	11.42 in. / 290 mm
Shipping Dimensions [H x W x D]	2.05 x 11.61 x 16.14 in. / 52 x 295 x 410 mm
Unit Weight	1.8 lb. / 0.82 kg
Shipping Weight	2.2 lb. / 1 kg

* The load rating includes the combined weight of the unit and installed equipment.

- Unit frees up valuable space on your desk, table or workstation by placing a monitor from 1.25 to 5.25 inches above the surface.
- Extra-large plastic platform supports up to 40 pounds.
- Rubber rings secure the riser in place on smooth surfaces.
- Assembles in just seconds—no tools required.



1111 W. 35th Street
Chicago, IL 60609 USA
773.869.1234
www.triplite.com

Dimensions: [mm] INCHES

Tripp Lite has a policy of continuous improvement. Specifications are subject to change without notice.