

CKG45NX7T2W684M500JJ

TDK item description : CKG45NX7T2W684MT****

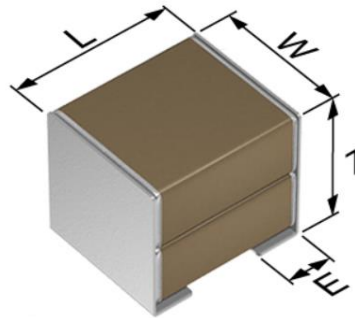


Application & Main Feature

Automotive grade (MEGACAP)

Series

CKG45N(4532) [EIA 1812]



Dimensions

L 5.00±0.50 mm
W 3.50±0.50 mm
T 5.00±0.50 mm
E 1.10±0.30 mm

Temperature Characteristic

X7T (-55 to +125 degC, +22/-33%)

Rated Voltage

2W (450Vdc)

Capacitance

680nF

Capacitance Tolerance

M (±20%)

DF

2.5 % max.

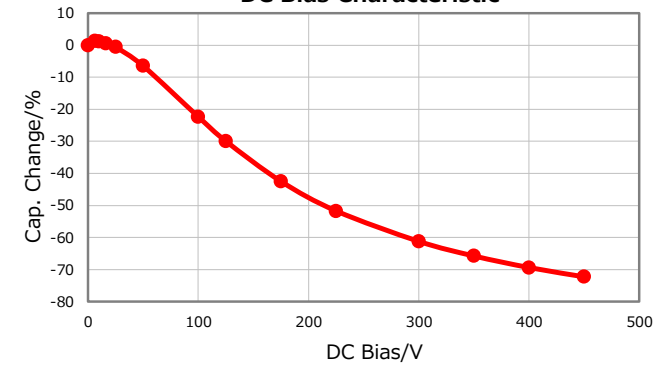
Insulation Resistance

735 Mohm min.

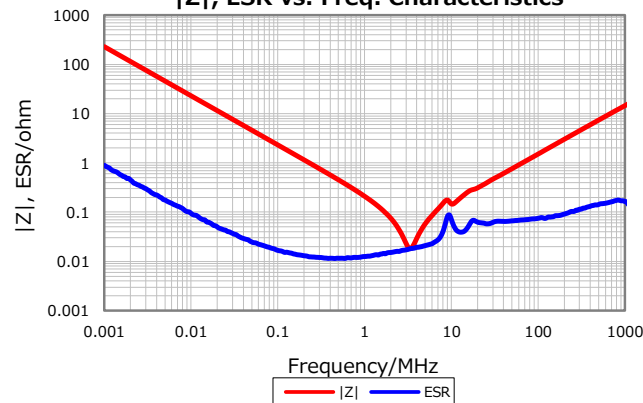
AEC-Q200

Yes

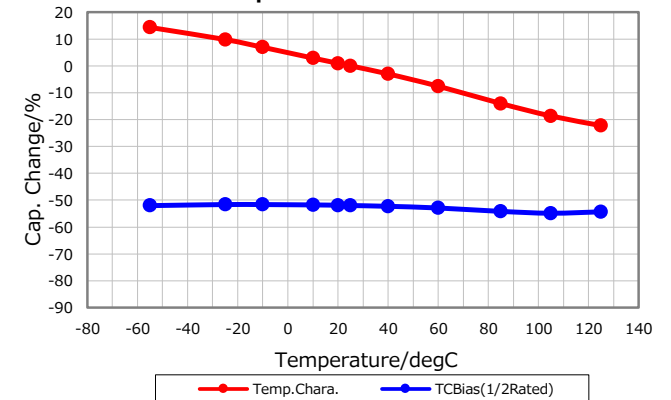
DC Bias Characteristic



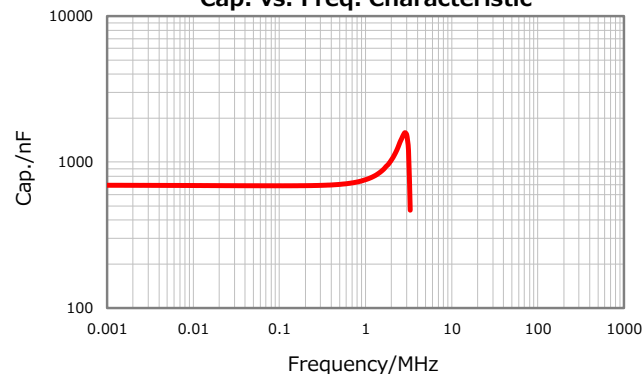
|Z|, ESR vs. Freq. Characteristics



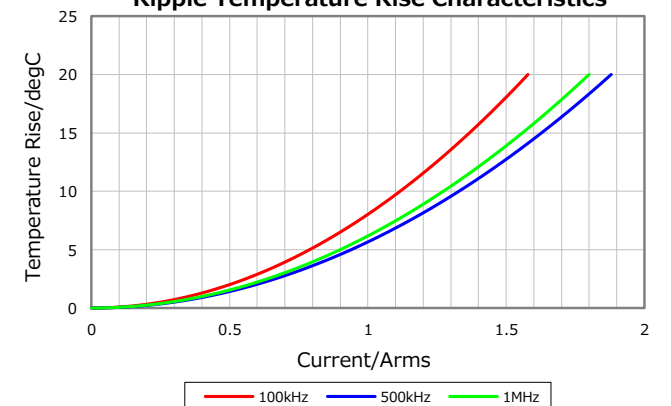
Temperature Characteristics



Cap. vs. Freq. Characteristic



Ripple Temperature Rise Characteristics



Characterization Sheet (Multilayer Ceramic Chip Capacitors)



All specifications are subject to change without notice.

April 10, 2022