

ECN/PCN No.: M1320

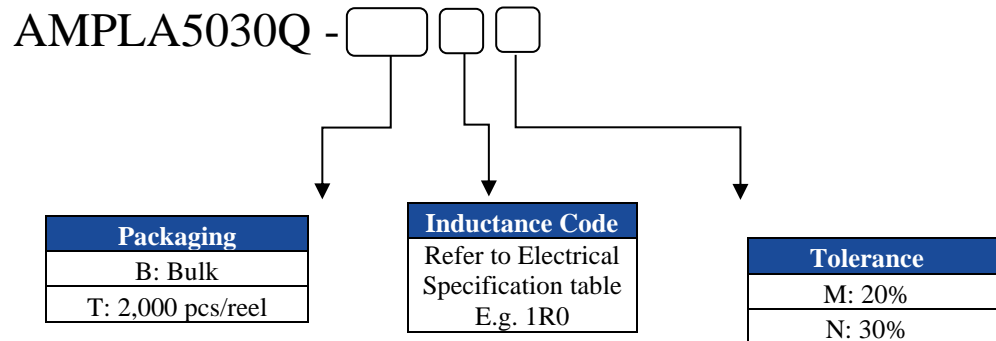
For Manufacturer			
Product Description: MOLDED INDUCTOR	Abracon Part Number / Part Series: AMPLA5030Q	<input type="checkbox"/> Documentation only <input checked="" type="checkbox"/> ECN <input type="checkbox"/> EOL	<input checked="" type="checkbox"/> Series <input type="checkbox"/> Part Number
Affected Revision: Initial Release	New Revision: A	Application:	<input type="checkbox"/> Safety <input checked="" type="checkbox"/> Non-Safety

Prior to Change:

2.0 Key Standard Electrical Specifications @ 25°C

Part Number*	Inductance (uH)	Tolerance (%)	I _{rms} (A)	I _{sat} (A)	DC Resistance (mΩ)		Type
					Typ	Max	
AMPLA5030Q-R15NT	0.15	30	18	30	2.3	2.7	Lead Type
AMPLA5030Q-R20NT	0.20	30	16	25	2.6	3.2	Lead Type
AMPLA5030Q-R25MT	0.25	20	15	20	3.7	4.1	Lead Type
AMPLA5030Q-R33MT	0.33	20	14	18	4.3	5.0	Lead Type
AMPLA5030Q-R47MT	0.47	20	12	16	6.4	7.4	Lead Type
AMPLA5030Q-R56MT	0.56	20	10	15	8.0	10	Lead Type
AMPLA5030Q-R68MT	0.68	20	8.5	14	10	12	Lead Type
AMPLA5030Q-R82MT	0.82	20	8.0	12.5	11.5	13	Lead Type
AMPLA5030Q-1R0MT	1	20	7.0	11	13	14	Lead Type
AMPLA5030Q-1R2MT	1.2	20	6.5	11	14	16	Lead Type
AMPLA5030Q-1R5MT	1.5	20	6.0	10	16	25	Lead Type
AMPLA5030Q-2R2MT	2.2	20	5.5	9.0	25	35	Lead Type
AMPLA5030Q-3R3MT	3.3	20	5.0	8.0	32	38	Lead Type
AMPLA5030Q-4R7MT	4.7	20	4.6	6.0	50	53	Lead Type
AMPLA5030Q-5R6MT	5.6	20	4.25	4.5	55	63	Lead Type
AMPLA5030Q-6R8MT	6.8	20	4.0	4.3	68	76.2	Lead Type
AMPLA5030Q-100MT	10	20	2.75	3.5	110	128	Lead Type
AMPLA5030Q-150MT	15	20	2.1	2.6	165	190	Lead Type
AMPLA5030Q-220MT	22	20	1.9	1.7	220	250	Lead Type

* Please refer to Part Identification Section

3.0 Part Identification

4.0 Packaging

Tape and Reel: 2,000
 Pieces per Carton: 16,000
 T&R per Carton: 8
 Weight per Carton: 12.5kg
 Weight per Piece: 0.46g
 Carton Dimensions: 410 x 325 x 415mm

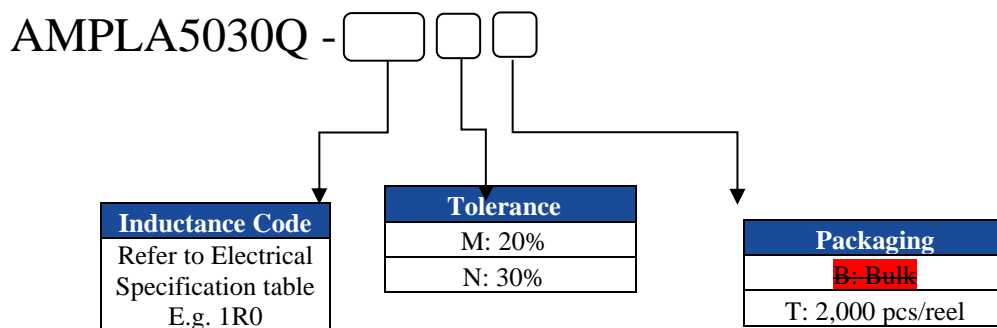
After Change:

5.0 Key Standard Electrical Specifications @ 25°C

Part Number*	Inductance (uH)	Tolerance (%)	Irms (A)	Isat (A)	DC Resistance (mΩ)		Type
					Typ	Max	
AMPLA5030Q-R15NT	0.15	30	18	30	2.3	2.7	Lead Type
AMPLA5030Q-R10NT	0.10	30	23	27	2.5	3.0	Lead Type
AMPLA5030Q-R20MT	0.20	30	16	25	2.6	3.2	Lead Type
AMPLA5030Q-R22MT	0.22	20	15.5	21	3.7	4.4	Lead Type
AMPLA5030Q-R25MT	0.25	20	15	20	3.7	4.1	Lead Type
AMPLA5030Q-R33MT	0.33	20	14	18	4.3	5.0	Lead Type
AMPLA5030Q-R47MT	0.47	20	12	16	6.4	7.4	Lead Type
AMPLA5030Q-R56MT	0.56	20	10	15	8.0	10	Lead Type
AMPLA5030Q-R68MT	0.68	20	8.5	14	10	12	Lead Type
AMPLA5030Q-R82MT	0.82	20	8.0	12.5	11.5	13	Lead Type
AMPLA5030Q-1R0MT	1	20	7.0	11	13	14	Lead Type
AMPLA5030Q-1R2MT	1.2	20	6.5	11	14	16	Lead Type
AMPLA5030Q-1R5MT	1.5	20	6.0	10	16	25	Lead Type
AMPLA5030Q-2R2MT	2.2	20	5.5	9.0	25	35	Lead Type
AMPLA5030Q-3R3MT	3.3	20	5.0	8.0	32	38	Lead Type
AMPLA5030Q-3R6MT	3.6	20	4.9	7.0	46	54	Lead Type
AMPLA5030Q-4R7MT	4.7	20	4.6	6.0	50	53	Lead Type
AMPLA5030Q-5R6MT	5.6	20	4.25	4.5	55	63	Lead Type
AMPLA5030Q-6R8MT	6.8	20	4.0	4.3	68	76.2	Lead Type
AMPLA5030Q-100MT	10	20	2.75	3.5	110	128	Lead Type
AMPLA5030Q-150MT	15	20	2.1	2.6	165	190	Lead Type
AMPLA5030Q-180MT	18	20	2.0	2.3	195	230	Lead Type
AMPLA5030Q-220MT	22	20	1.9	1.7	220	250	Lead Type
AMPLA5030Q-330MT	33	20	1.6	1.6	330	440	Lead Type

* Please refer to Part Identification Section

6.0 Part Identification



7.0 Packaging

Tape and Reel: 2,000
~~Pieces per Carton: 16,000~~
~~T&R per Carton: 8~~
~~Weight per Carton: 12.5kg~~
~~Weight per Piece: 0.46g~~
~~Carton Dimensions: 410 x 325 x 415mm~~

Cause/Reason for Change: Part Identification and Packaging section were updated; R10, R22, 3R6, 180, 330 were added to the series; R15, R25, R56, R82 were removed from the series (refer to Partial EOL-PCN M1320 AMPLA5030Q)

Change Plan

Effective Date:	Additional Remarks:
------------------------	----------------------------

Change Declaration: The change does not affect form, fit, or function of any device in the series

Issued Date: 10/15/2021	Issued By: <i>Ahmed Alamin</i>	Issued Department: Engineering
Approval: <i>Syed Raza</i> Engineering VP	Approval: <i>Reuben Quintanilla</i> Quality Director	Approval: <i>Ying Huang</i> Purchasing Director

For Abracon EOL only

Last Time Buy (if applicable):	Alternate Part Number / Part Series:
Additional Approval:	Additional Approval:

Customer Approval (If Applicable)

Qualification Status:		
<input type="checkbox"/> Approved <input type="checkbox"/> Not accepted		
<i>Note: It is considered approved if there is no feedback from the customer 1 month after ECN/PCN is released.</i>		
Customer Part Number:	Customer Project:	
Company Name:	Company Representative:	Representative Signature:

Customer Remarks: