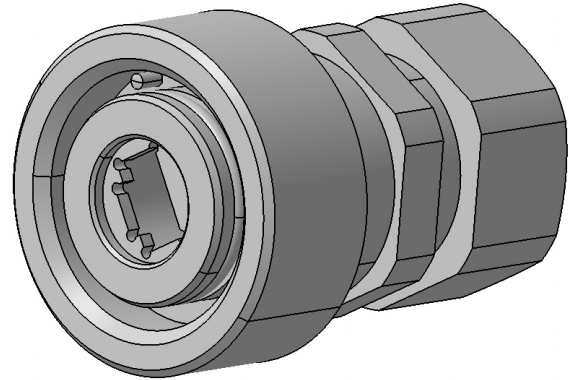


Accessory 9073.99.0002

Description

RJ45 Plug Kit



Technical Data

Accessory option for Data Line Protector 3414.99.0009
Connector engagement with rotation locking
Cable gland for cable diameter 4 - 6 mm
Ingress protection IP68 acc. to IEC 60529 (data refer to the coupled state)

Mechanical Data

Weight 0.089 g

Environmental Data

Operating temperature -40 °C to +85 °C
2011/65/EU (RoHS - including compliant
2015/863 and 2017/2102)

Related Documents

Outline drawing DOU-00074330.1
Mounting instruction DOC-0000239690