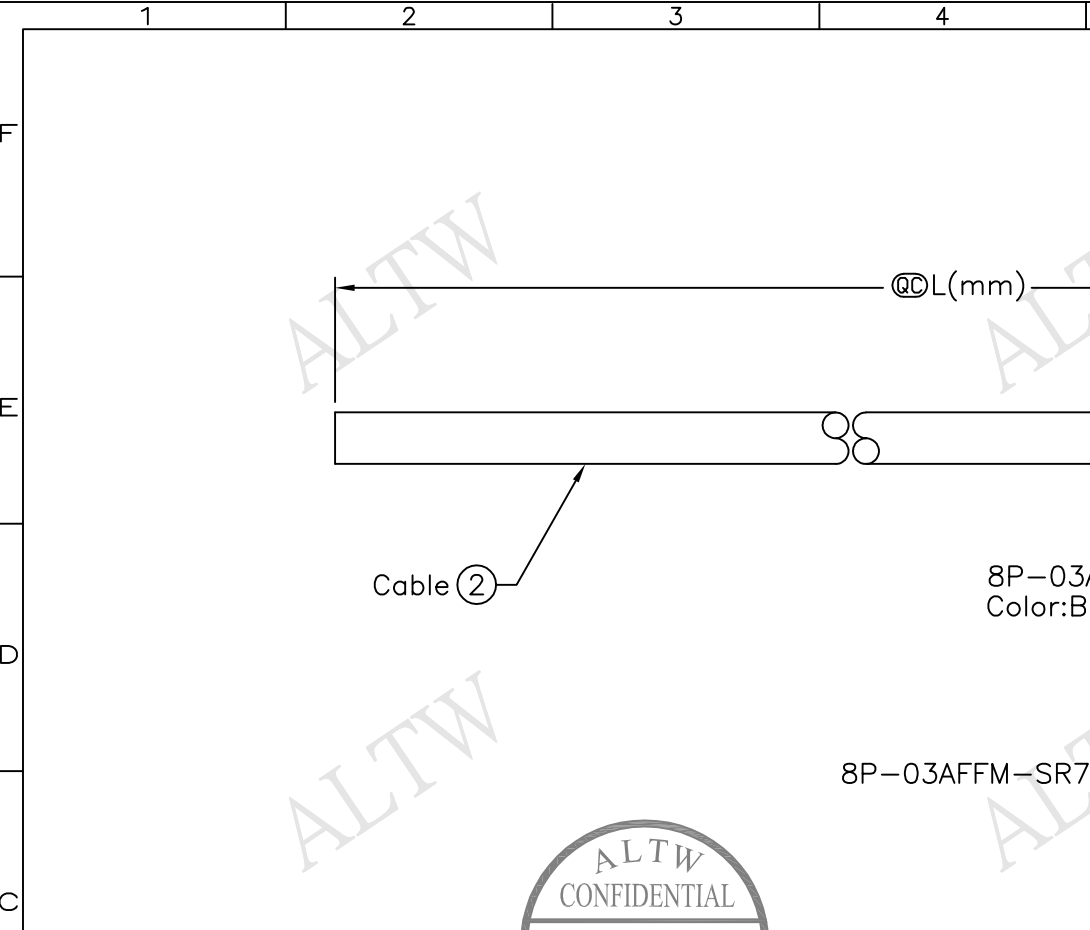
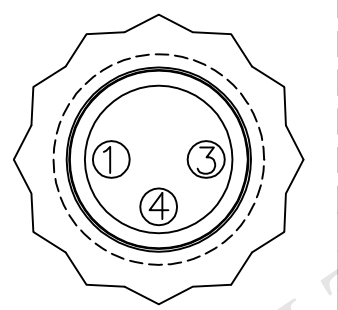


REV.	ECN NO.	DATE	SIGN	DESCRIPTION
B	LEN-920481~484	2009/02/23	Vicky	Update the drawing.
C	LEN1630176~179	2016/03/07	Vicky	Update Logo



8P-03AFFM-SR7AXX  
 XX:01~99Meters  
 01:01Meter  
 02:02Meters  
 :  
 :  
 99:99Meters  
 Cable Length(L):01~99Meters

- Note:
- \* @C Important Dimension
  - \* Waterproof Rate: IP67
  - \* Connector: PU, Black
  - \* Female Pin: Copper Alloy, Gold Plated
  - \* Cable: UL2464 22AWG\*3C+Talcum, Black, PVC Jacket, UV Resistant, OD=5.0mm
  - \* Cable Length Tolerance:
    - 01M:±40mm
    - 02M~05M:±60mm
    - 06M~10M:±100mm
    - 11M~30M:±200mm
    - 31M~99M:±500mm



Pin Assignments  
Front View

4	Black	黑
3	Blue	藍
1	Brown	棕
Conn.	Wire Color	
Pin Out		

UNIT:mm		TITLE		M8 Conn
TOLERANCE				Cable Screw 3P F Conn F Pin
±0.5 mm		SCALE	Free	SHEET 1 OF 1
		REV.	C	SIZE A4
				@C :Inspection Item

**Amphenol LTW**  
 安費諾亮泰企業股份有限公司

ITEM NO	DRAWN BY	DATE
	Vicky	2016/03/07
DWG NO	CHECKED BY	DATE
8P-03AFFM-SR7AXX	Rita	2016/03/07
CUSTOMER	APPROVED BY	DATE
ALTW	Lisa	2016/03/07

THIS DOCUMENT IS SUBJECT TO CHANGE WITHOUT NOTICE. IT IS CONFIDENTIAL AND A PROPERTY OF Amphenol LTW. DISCLOSURE TO THIRD PARTY HAS TO BE AUTHORIZED BY Amphenol LTW.