



LAYOUT SHOWN AS EXAMPLE

Keying Shown as example

CHARACTERISTICS

- Standard : Based on MIL-DTL-38999 Series III
- Shell Material : Aluminium
- Shell Plating : Olive drab Cadmium
- Insulator : Thermoplastic
- Contacts : Copper Alloy
- Seals & Grommet : Silicon Elastomer
- Contact Plating : Gold over copper Alloy 0.8µm minimum
- Durability : 500 Mating cycles
- Delivered without Souriau contacts
- Temperature Range : -65°C to +175°C
- Salt Spray : 500 hours
- Mass : 42.94 g ± 10%

Connector dimension	
Dim	Nominal
P	3.91±0.2
PP	6.15±0.2
R1	38.1
R2	34.93
S	46±0.3
V	20.07+0/-1.25
W	2.1/3.2
Z	31.5 Max
VV THREAD	M37x1-6g

SOURIAU shall not be liable for any non-conformity or damage due to a use of the Products which does not comply with the Specifications issued by either of the Parties or by a third party (professional recommendation, technical notice.)

Country	Jurisdiction & Control List
FR	Not Listed

PN: 8D025W11PAL

A	08-10-2016	First Release	
ISS	DATE	Latest modification - by	MOD N°
Designed By:		Date:	CUSTOMER DRAWING
TITLE	Aluminium Receptacle 8D series		
SCALE	NA	General linear Tolerances: ±--	NPRDS / PROJECT 859
SOURIAU	WWW.SOURIAU.COM		This document is the property of SOURIAU it must not be reproduced or communicated without permission
FORMAT	A3		SOURIAU DRG N° 8D025W11PAL-C SHEET 1/2

BASIC SERIES: 8D 0 - 25 W 11 P A L

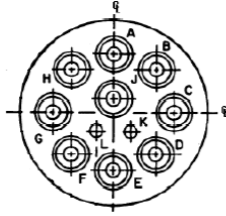
SHELL TYPE : Square Flange Receptacle Delivered W/O Contacts

CONTACT TYPE : Standard Crimp Contact ORIENTATION : A

SHELL SIZE : 25 CONTACT TYPE : PIN(500 Matings)

PLATING : W = Olive drab Cadmium CONTACT LAYOUT : 25-11

Contact Layout

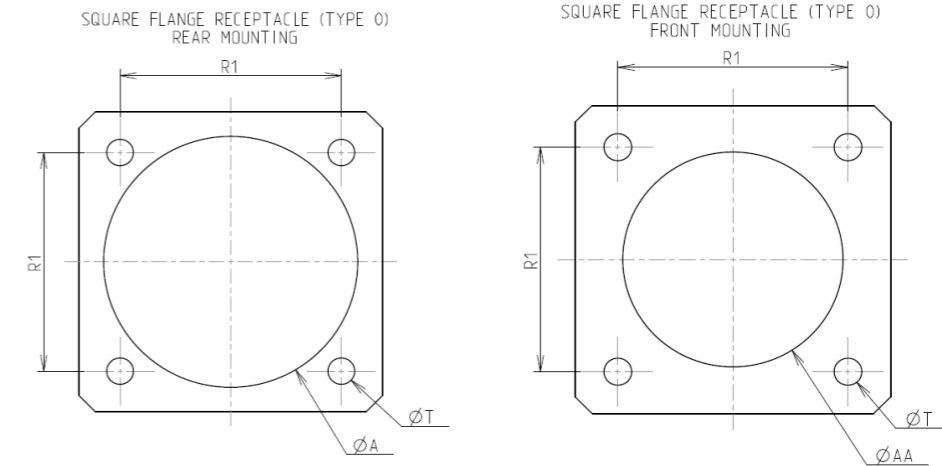


Contacts (Insert arrangement 25-11)					
Contact position ID	Location		Contact position ID	Location	
	X-axis (mm)	Y-axis (mm)		X-axis (mm)	Y-axis (mm)
A	+000 (0.00)	+431 (10.95)	G	-431 (10.95)	+000 (0.00)
B	+304 (7.72)	+304 (7.72)	H	-304 (7.72)	+304 (7.72)
C	+431 (10.95)	+000 (0.00)	J	+000 (0.00)	+102 (2.59)
D	+304 (7.72)	-304 (7.72)	K	+092 (2.34)	-160 (4.06)
E	+000 (0.00)	-431 (10.95)	L	-092 (2.34)	-160 (4.06)
F	-304 (7.72)	-304 (7.72)	---	---	---

NOTES:
1. All dimensions are true position.
2. Front face of pin insert shown.

Shell size	Arrangement no.	Number of contacts	Size contacts	Service rating	Contact location
25	-11	9	10	N	A,B,C,D,E,F, G,H,J, L,K
		2	20		

Panel Cutout



Dim	Nominal
ØA	42.47 min
ØAA	37.69 min
R1	38.1
ØT	3.81 ±0.13

SOURIAU shall not be liable for any non-conformity or damage due to a use of the Products which does not comply with the Specifications issued by either of the Parties or by a third party (professional recommendation, technical notice.)

Country	Jurisdiction & Control List
FR	Not Listed

PN: 8D025W11PAL

A	08-10-2016	First Release	
ISS	DATE	Latest modification - by	MOD N°
Designed By:		Date:	CUSTOMER DRAWING
TITLE	Aluminium Receptacle 8D series		
SCALE		General linear Tolerances:	NPRDS / PROJECT
NA		±--	859
SOURIAU	WWW.SOURIAU.COM		This document is the property of SOURIAU it must not be reproduced or communicated without permission
FORMAT	SOURIAU DRG N° 8D025W11PAL-C		SHEET 2/2