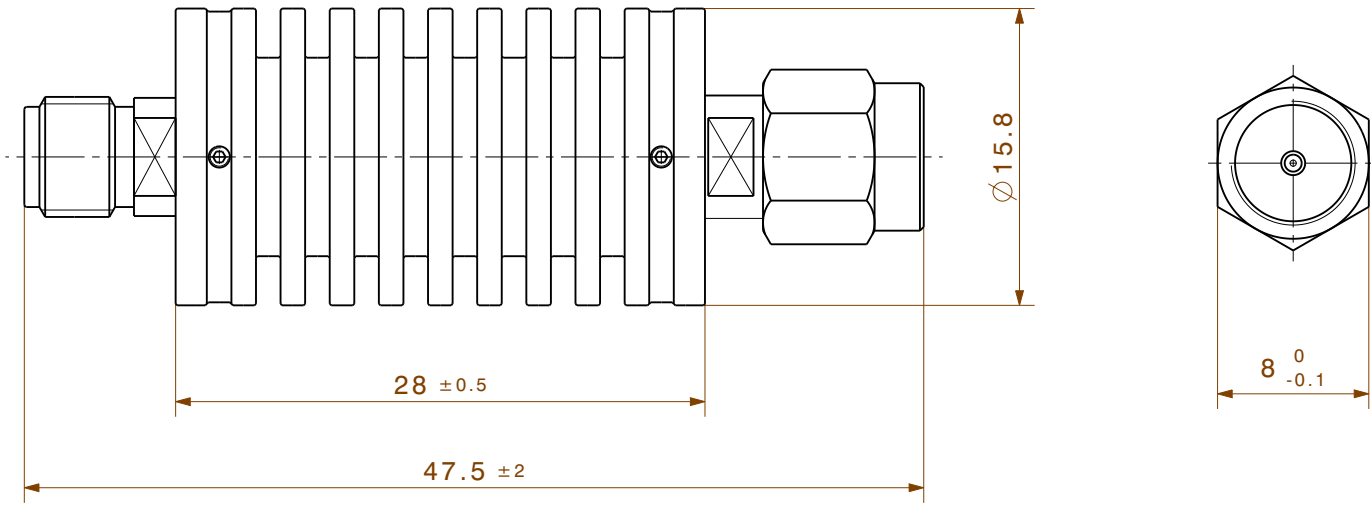


Types:
5903.19.0001
5906.19.0002



Type:	⚠ ⊕ All dimensions after treatment in millimeter (mm)		
Assembly drawing	Released date: 19.10.2022	alternative ID	3D-ID PRO-01168067 A Sheet: 1 / 1
<b>HUBER+SUHNER</b>	description Attenuator	ID	Release DOU-01168068 A