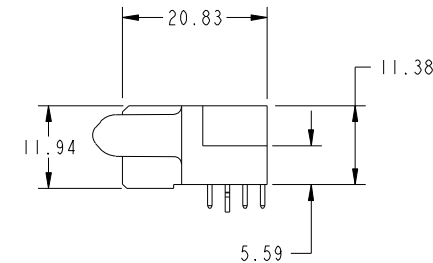
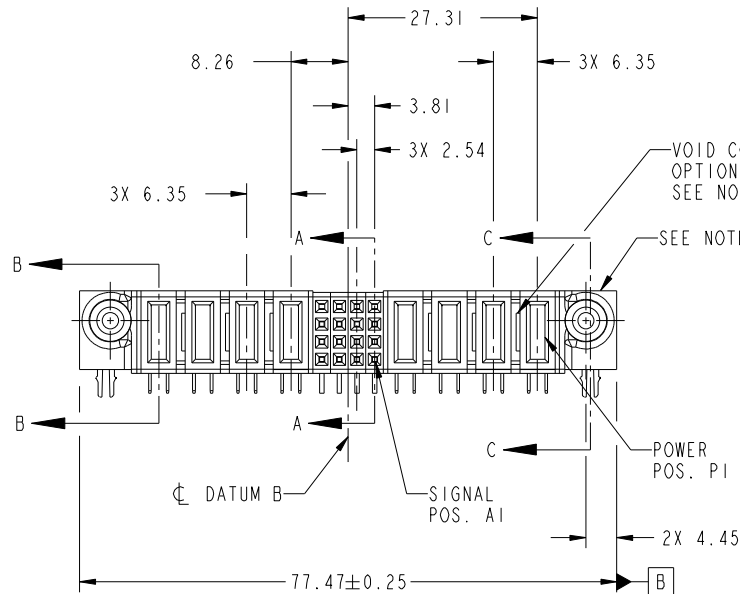


Tous droits strictement reserves. Reproduction ou communication a des tiers interdite sous quelque forme que ce soit sans autorisation écrite du propriétaire. Propriete de c FCI. Droits de reproduction FCI.



All rights strictly reserved. Reproduction or issue to third parties in any form whatever is not permitted without written authority from the proprietor. Property of FCI. Copyright FCI.

PRODUCT NO.	ROWS	E2	P8	P7	P6	P5	4	3	2	1	P4	P3	P2	P1	E1
51770-042-- NOTE 3	D C B A		PC	PC	PC	PC	H	H	H	H	PA	PA	PA	PA	
			G	G	G	G	F	F	F	F	E	E	E	E	



CODE	DIM "M" MATING LENGTH	CONTACT TYPE
PC	[2.34]	POWER
PA	[1.07]	POWER
H	[N/A]	SIGNAL
G	[N/A]	SIGNAL
F	[N/A]	SIGNAL
E	[N/A]	SIGNAL
HA	[N/A]	HOLD-DOWN

mat'l code				SEE NOTE 2		tolerances unless otherwise specified		CUSTOMER		FCI	
ltr	ecn no.	dr	date	linear	0.X ± 0.5	projection		COPY		www.fciconnect.com	
A	DG10-0288	AL	08/02/10	angles	0.XX ± 0.25	M		title		4P + 16S + 4P	
					0.XXX ± 0.1	MM		product family		PwrBlade	
				dr	0° ± 2°	scale		size		code	
				enr	Anson Liu 08/02/10	1:1		dwg no		213	
				chr	Jerome Chen 08/02/10			51770-042		sheet	
				appd	PM ZHENG 08/02/10			A		1 of 4	
					Joseph Hsia 08/02/10						
sheet index	revision sheet	A	A	A	A						
		1	2	3	4						

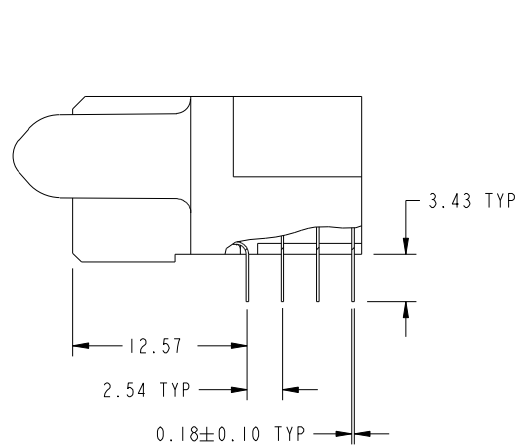
cage code		22526	
-----------	--	-------	--

Tous droits strictement reserves. Reproduction ou communication a des tiers interdite sous quelque forme que ce soit sans autorisation ecrite du proprietaire. Propriete de c FCI. Droits de reproduction FCI.

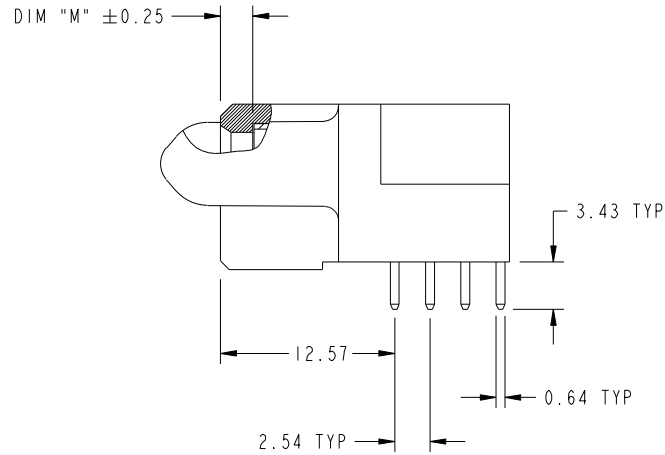
All rights strictly reserved. Reproduction or issue to third parties in any form whatever is not permitted without written authority from the proprietor. Property of FCI. Copyright FCI.



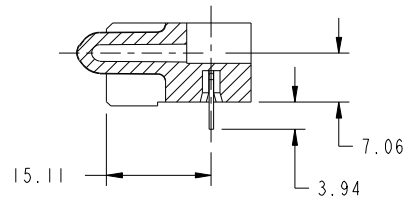
PRODUCT NUMBER
51770-042--
NOTE 3



BROKEN-OUT SECTION A-A
SCALE 2:1



BROKEN-OUT SECTION B-B
SCALE 2:1



SECTION C-C

mat'l code		SEE NOTE 2		tolerances unless otherwise specified		CUSTOMER		FCI	
ltr	ecn no.	dr	date	linear	0.X ±0.5	COPY		www.fciconnect.com	
A					0.XX ±0.25	projection		title	
				angles	0.XXX ±0.1			4P + 16S + 4P R/A STB RECEPTACLE	
				dr	0° ±2°			product family PwrBlade code	
				enr	Anson Liu 08/02/10	scale		size	
				chr	Jerome Chen 08/02/10	1:1		dwg no	
				appd	PM ZHENG 08/02/10			A 51770-042	
					Joseph Hsia 08/02/10			sheet	
sheet index	revision sheet							2 of 4	

cage code 22526

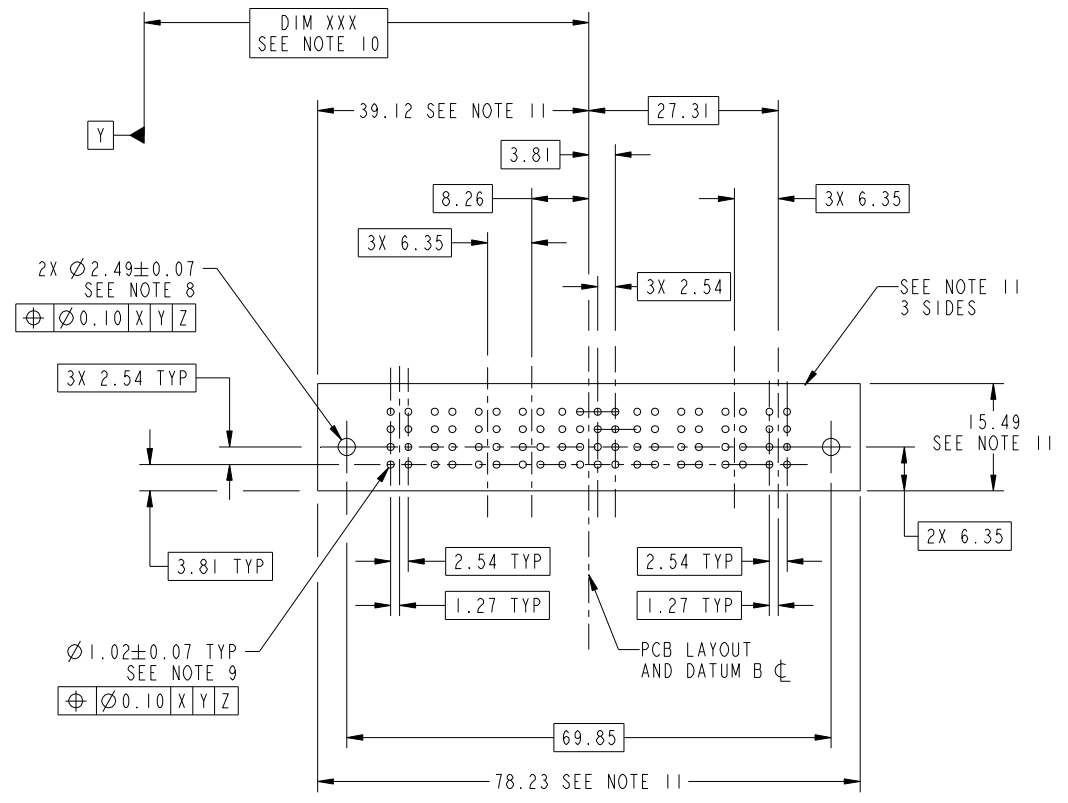
Pro/E

Tous droits strictement reserves. Reproduction ou communication a des tiers interdite sous quelque forme que ce soit sans autorisation écrite du propriétaire. Propriete de c FCI. Droits de reproduction FCI.

All rights strictly reserved. Reproduction or issue to third parties in any form whatever is not permitted without written authority from the proprietor. Property of FCI. Copyright FCI.



PRODUCT NUMBER
 51770-042__
 NOTE 3



RECOMMENDED PCB LAYOUT

mat'l code				SEE NOTE		tolerances unless otherwise specified		CUSTOMER		www.fciconnect.com	
ltr	ecn no.	dr	date	linear	0.X ±0.5	COPY		projection		title	
A					0.XX ±0.25					4P + 16S + 4P R/A STB RECEPTACLE	
				angles	0.XXX ±0.1					product family PwrBlade code 213	
				dr	Anson Liu 08/02/10			size		sheet	
				enr	Jerome Chen 08/02/10			A		3 of 4	
				chr	PM ZHENG 08/02/10			scale		51770-042	
				appd	Joseph Hsia 08/02/10			1:1		cage code 22526	
sheet index		revision sheet									

Pro/E

cage code 22526

Tous droits strictement reserves. Reproduction ou communication a des tiers interdite sous quelque forme que ce soit sans autorisation écrite du propriétaire. Propriete de c FCI. Droits de reproduction FCI.



All rights strictly reserved. Reproduction or issue to third parties in any form whatever is not permitted without written authority from the proprietor. Property of FCI. Copyright FCI.

PRODUCT NUMBER
51770-042--
NOTE 3

NOTES:

1. DIMENSIONS AND TOLERANCES ARE IN ACCORDANCE WITH ASME Y14.5M, 1994 UNLESS OTHERWISE SPECIFIED.

CONNECTOR NOTES:

- 2. HOUSING MATERIAL: UL 94 V-0 GLASS FILLED HIGH-TEMP THERMOPLASTIC
POWER CONTACT MATERIAL: COPPER ALLOY
SIGNAL PIN MATERIAL: COPPER ALLOY
 - 3. SEE ITEM 5 & 6 IN PRINT 10064183 FOR PLATING SPEC OF 51770-042 AND 51770-042LF RESPECTIVELY.
 - 4. MANUFACTURER'S NAME, DATE CODE AND OPTIONAL P/N TO APPEAR ON THIS SURFACE. THE P/N CAN BE OMITTED IF THERE IS NOT ENOUGH SPACE ON THIS SURFACE.
 - 5. PRODUCT SPECIFICATION GS-12-149.
APPLICATION SPECIFICATION BUS-20-067.
 - 6. PACKAGED IN TRAYS.
- PCB NOTES:
- 7. ALL HOLE DIAMETERS ARE FINISHED HOLE SIZE.

- 8. MOUNTING HOLES, WHERE APPLICABLE, ARE UNPLATED.
- 9. $\varnothing 1.151 \pm 0.025$ DRILLED HOLES PLATED WITH
0.008 MIN SnPb OR Sn OVER 0.03
TO 0.08 Cu PLATING TO ACHIEVE
 $\varnothing 1.02 \pm .07$ HOLE.
- 10. "DIM XXX" TO BE DETERMINED BY THE CUSTOMER.
- 11. CONNECTOR KEEP-OUT ZONE.
- 12. THE VOID CORING IN BETWEEN POWER MODULES, SIGNAL MODULES AND END MODULES ARE OPTIONAL AND THE SHAPE MAY BE DIFFERENT FOR OPTIMIZE THE MOLDING PROCESS. THE VOID CORING WILL NOT EFFECT TO PRODUCT FUNCTION.

mat'l code		SEE NOTE 2		tolerances unless otherwise specified		CUSTOMER		FCI		www.fciconnect.com	
ltr	ecr no.	dr	date	linear	0.X ± 0.5	COPY		 title 4P + 16S + 4P R/A STB RECEPTACLE			
A					0.XX ± 0.25	projection					
				angles	0.XXX ± 0.1	 MIM					
				dr	Anson Liu 08/02/10	scale		product family	PwrBlade	code	213
				enrg	Jerome Chen 08/02/10	1:1		size	dwg no	sheet	4 of 4
				chr	PM ZHENG 08/02/10	A		51770-042			
				appd	Joseph Hsia 08/02/10						
sheet index	revision sheet										

cage code 22526

Pro/E