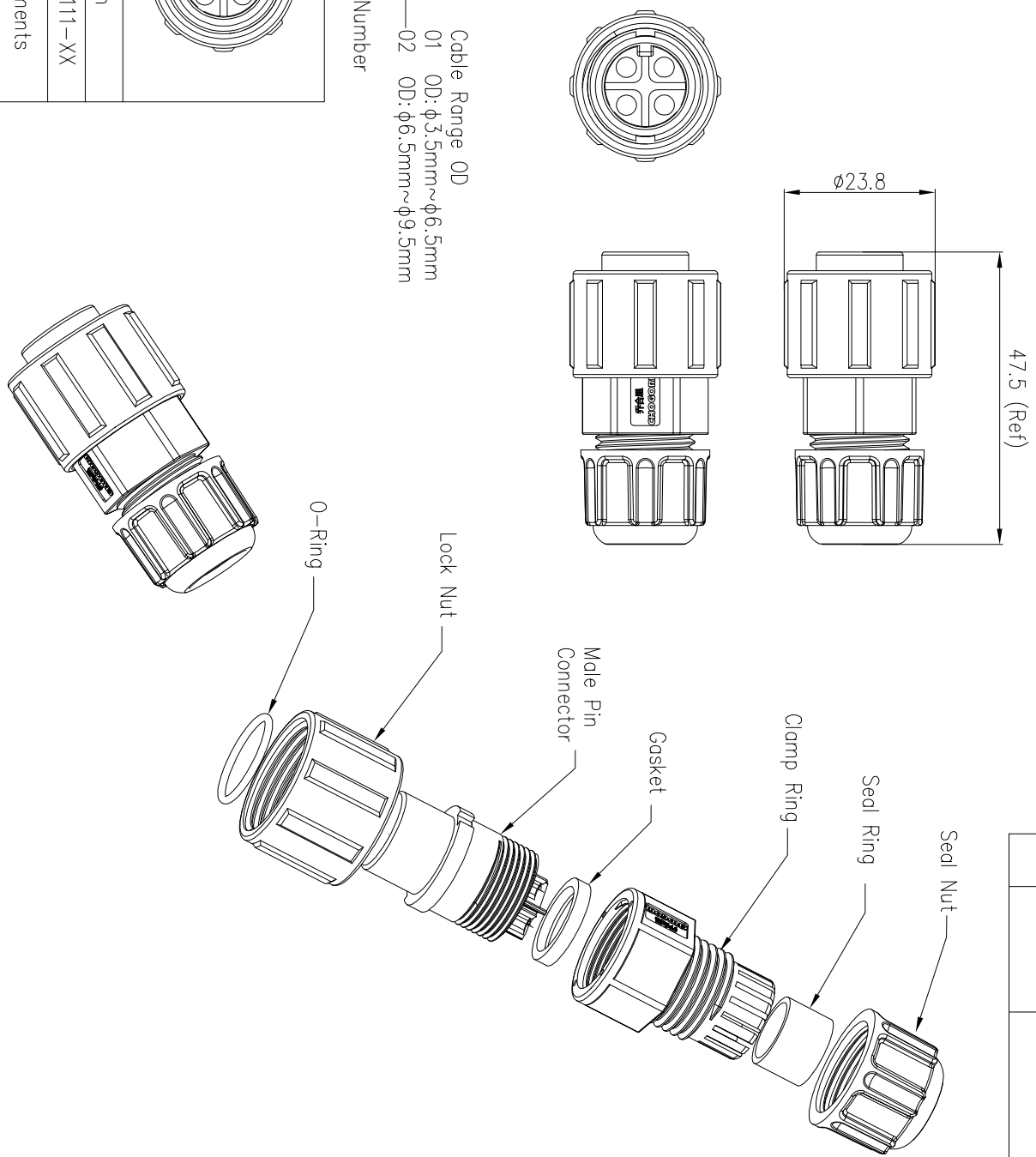
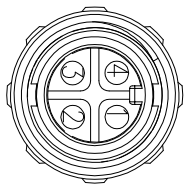


REV.	EN. NO.	DESCRIPTION	SIGN	DATE
C1	N/A	INITIAL DRAWING	Liu	2019/08/13



23XXX111-XX Cable Range OD
 01 OD: φ3.5mm~φ6.5mm
 02 OD: φ6.5mm~φ9.5mm



4 Pin

P/N: 23004111-XX
 Pin Assignments
 Front View

UNIT: mm		
TOLERANCE	.X .XX .XXX	±0.25 ±0.15 ±0.05
ANGLES		±1°

DESCRIPTION	Middle Series Screw Male Plug With Male Pin
SCALE	1:1
REV	C1
SIZE	A4
SHEET	X OF X
* :	Inspection Item

CHOGORI

PART NO	23XXX111-XX	DRAWN BY	Liu	DATE	2019/08/13
DWG NO		CHECKED BY	MO	DATE	2019/08/13
CUSTOMER		APPROVED BY	Panson	DATE	2019/08/13

- Specification:
1. Operation Temperature: -45°C~105°C.
 2. Insulation Resistance: 100MΩ at DC500V.
 3. Contact Resistance: <10mΩ
 4. Withstand Voltage: 2000V AC
 5. Operating Current: 15A
 6. Operating Voltage: AC 300V
 7. Waterproof Rate: IP67 (Mated)
 8. Seal Nut: Nylon, Black
 9. Seal Ring: Silicon, Black
 10. Clamp Ring: Nylon, Black
 11. Gasket: Silicon, Red
 12. Lock Nut: Nylon, Black
 13. Male Pin: Copper Alloy, Gold Plated
 14. Connector: Nylon+GF, Black
 15. O-Ring: Silicon, Red
 16. RoHS Compliant.
 17. Mating Cap: 806-00026-01