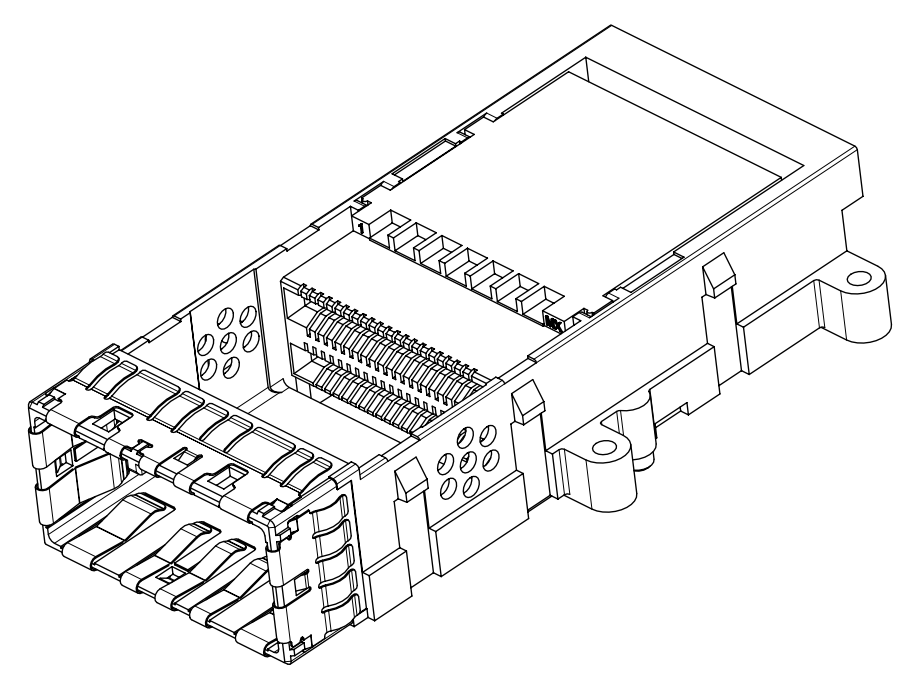
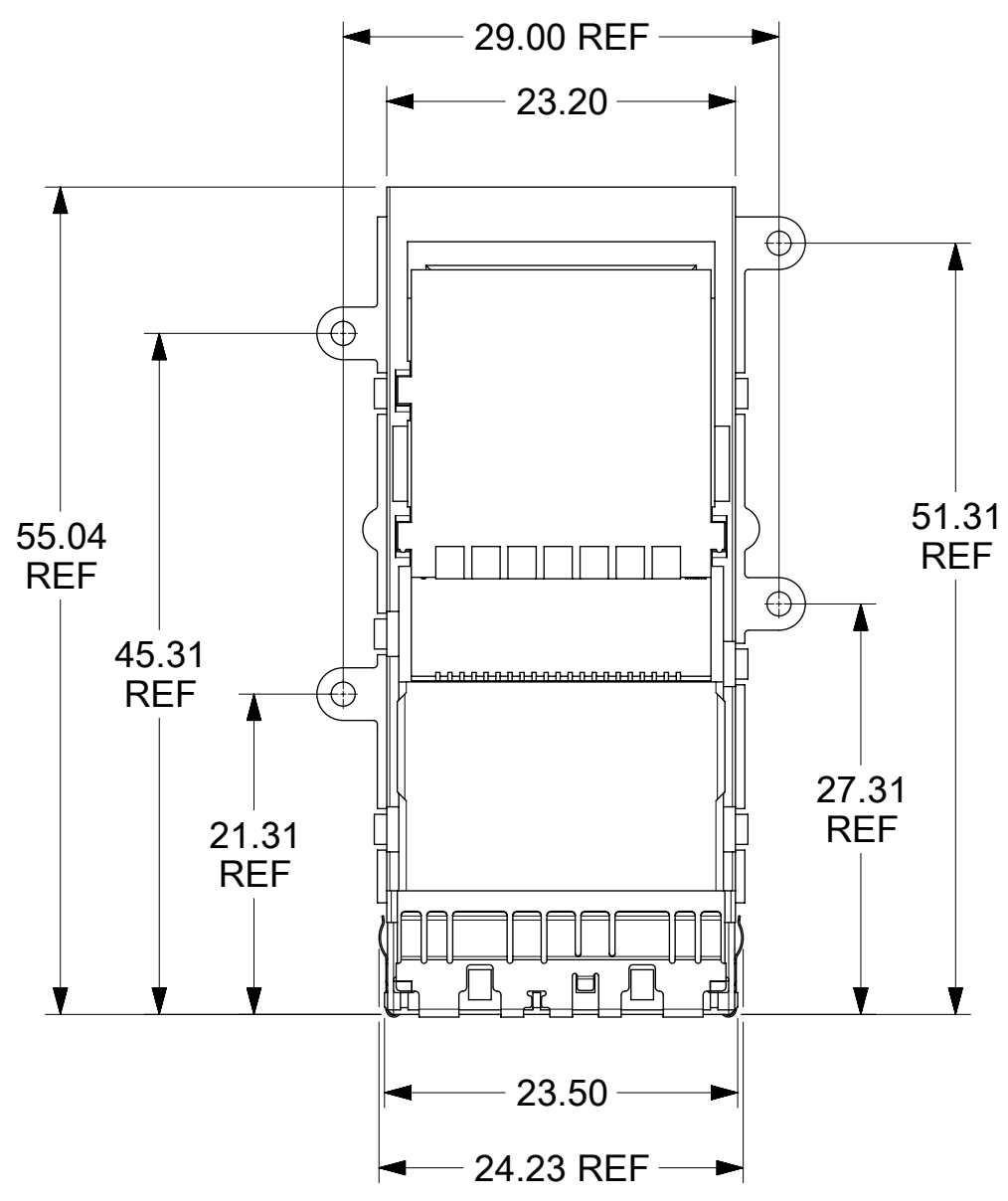
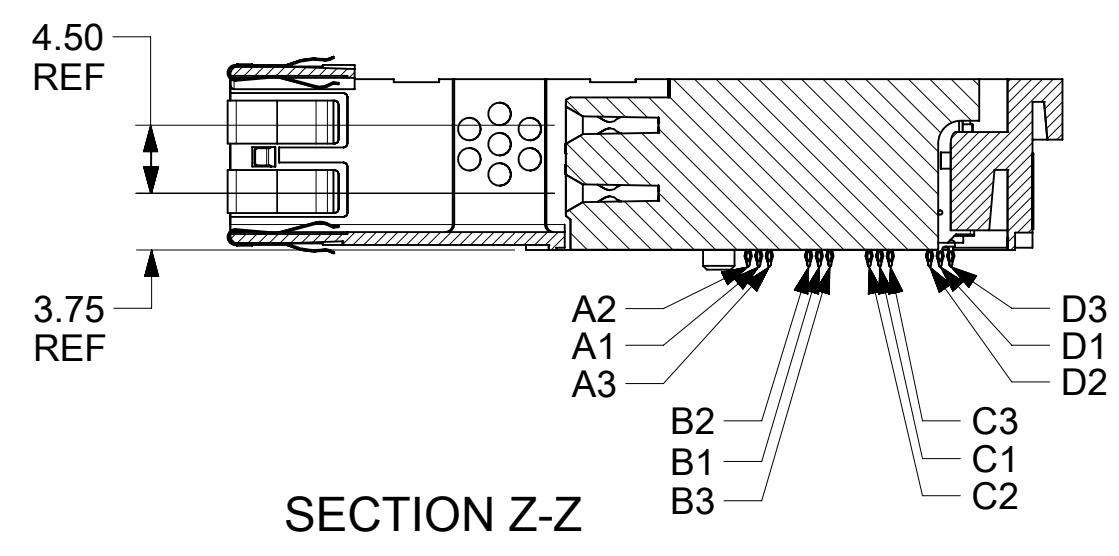
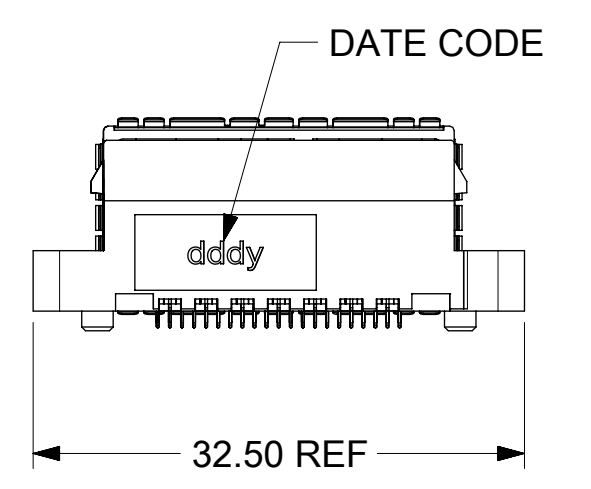
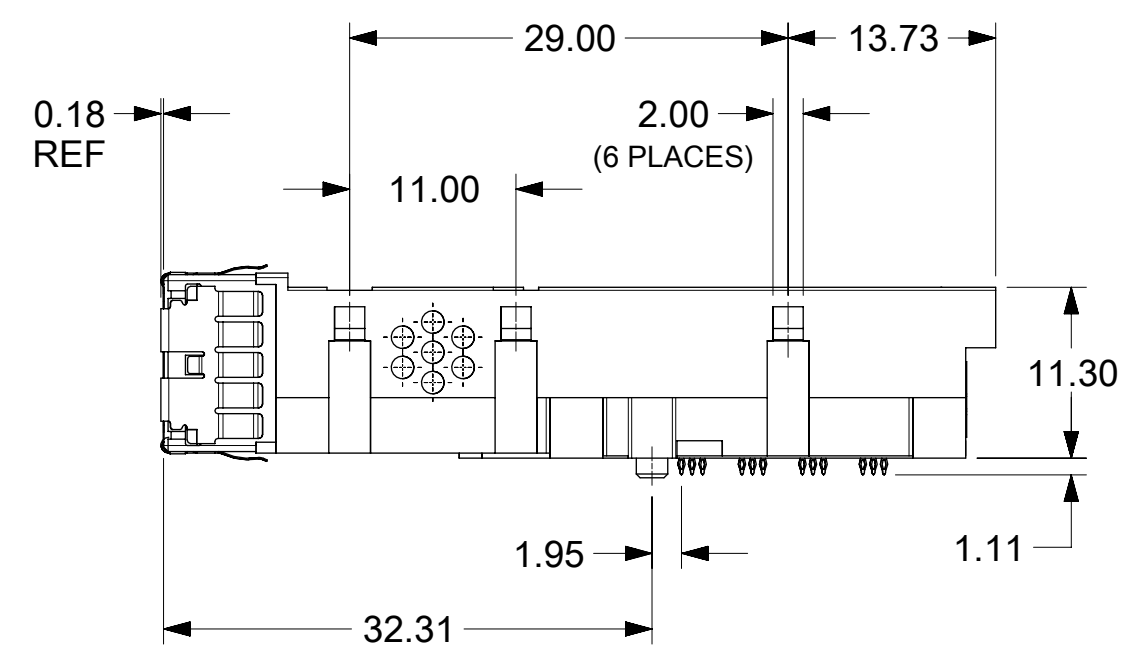
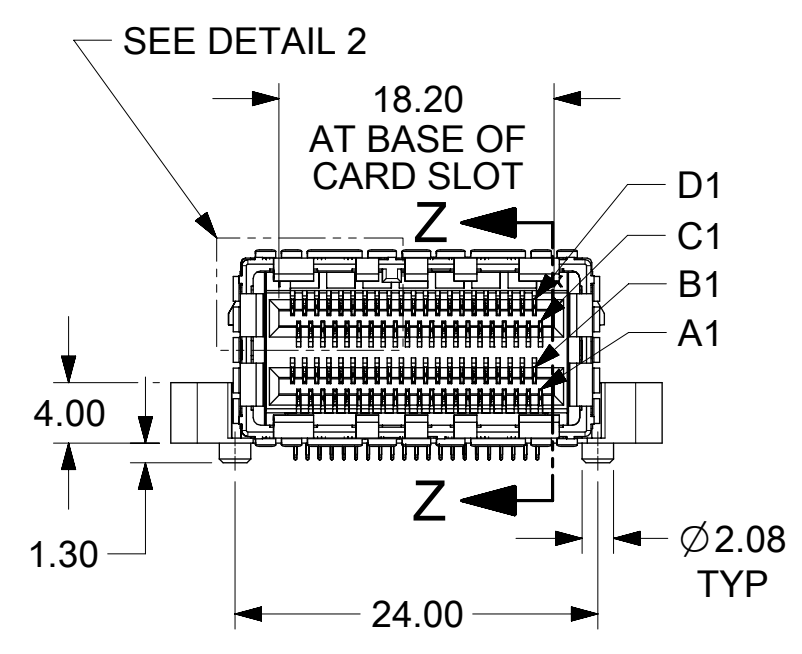
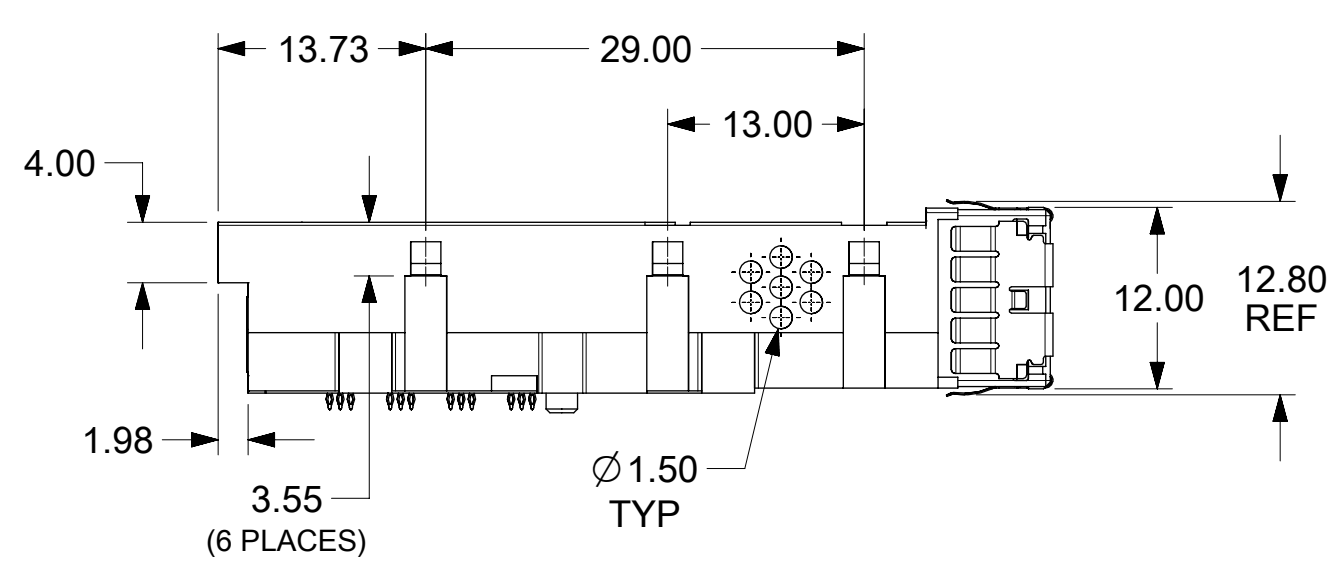


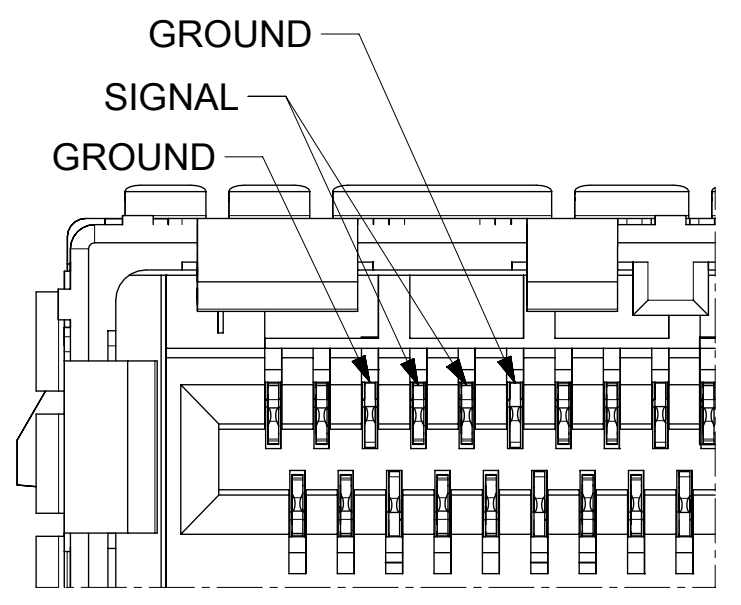
MATERIAL	DESCRIPTION
1731240003	NO COVER



1731240003



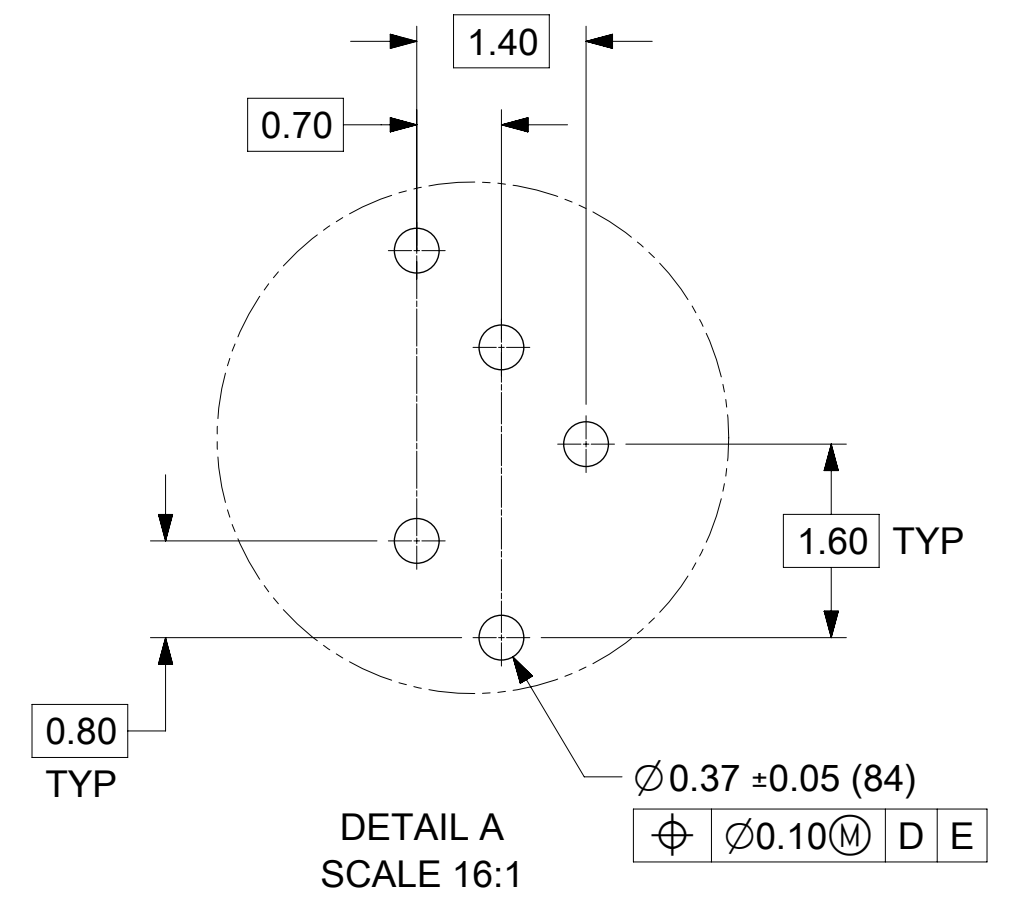
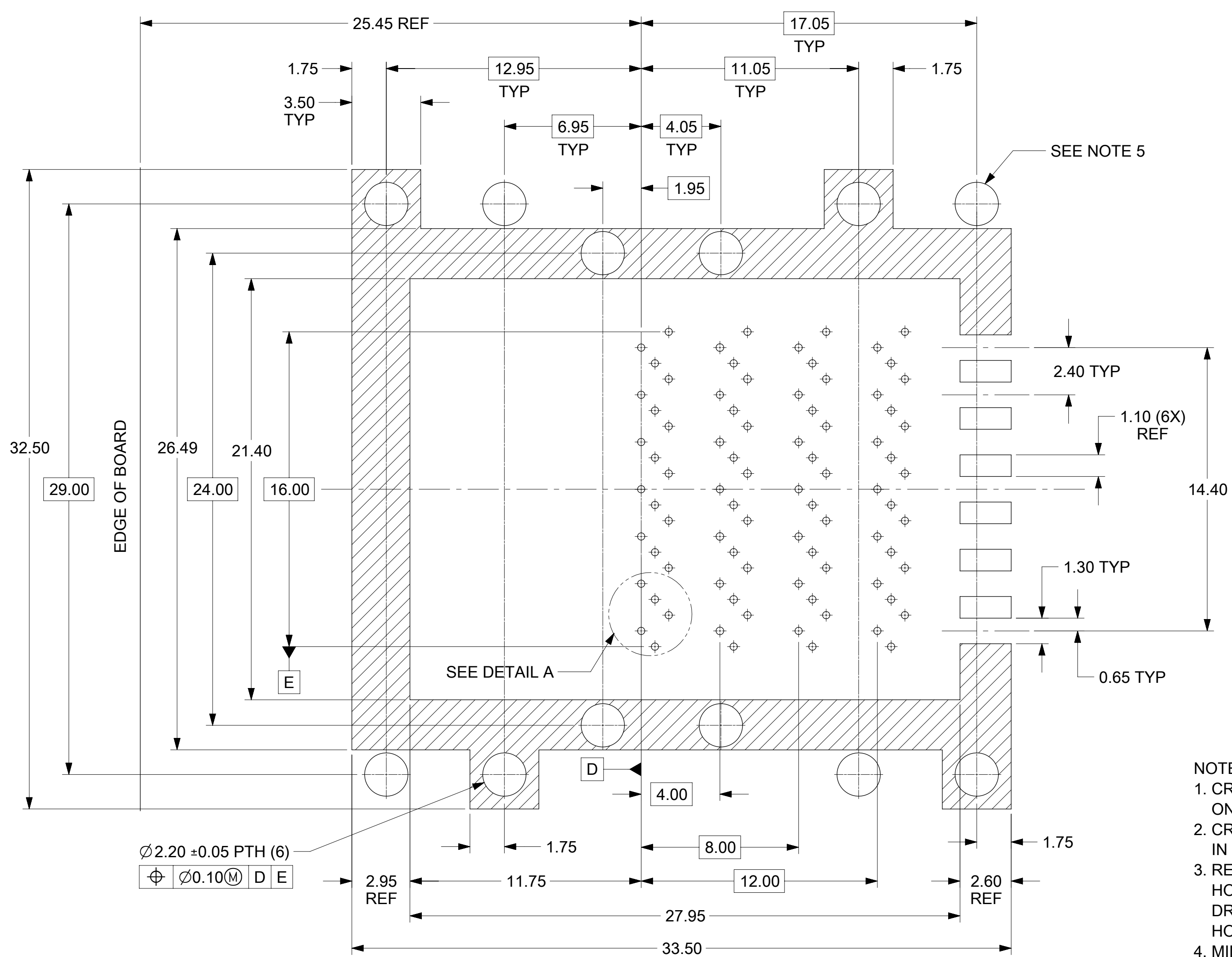
- NOTES:
- MATERIALS:
CONNECTOR HOUSING: HIGH TEMPERATURE THERMOPLASTIC GLASS-FILLED, UL 94V-0
EMI HOUSING: NICKEL PLATED DIE CAST ALLOY
COVER: STAINLESS STEEL
EMI CLIPS: NICKEL PLATED PHOS BRONZE
TERMINALS: COPPER ALLOY
 - PLATING:
CONTACT AREA: 0.76µm MIN. GOLD OVER 2.54µm MIN. NICKEL
TAIL AREA: 0.76µm - 1.52µm TIN OVER 1.27µm MIN NICKEL
 - THIS CONNECTOR IS DESIGNED TO MATE WITH MOLEX CABLE SERIES INDICATED IN THE MOLEX PRODUCT SPEC. PS-173124-0001.
 - REFER TO ROUTING GUIDE AS-173124-0002 FOR PCB TRACE INFORMATION.
 - PACKAGING SPECIFICATION: TRAY PACK PER PK-170501-0001.
 - REFER TO AS-170501-0001 FOR THE APPLICATION SPECIFICATION.
 - MOUNTING HARDWARE REQUIRED: M2x0.4 CAP SCREWS (6)
MOUNTING SCREW LENGTH: BOARD THICKNESS + 4mm MAX
 - THERMAL SOLUTION MUST PROVIDE MODULE GUIDANCE OR MODULE MAY STUB ON CONNECTOR DURING MATING. SAME FUNCTION AS COVER OR HEATSINK.



DETAIL 2
SCALE 8:1

THIS DRAWING CONTAINS INFORMATION THAT IS PROPRIETARY TO MOLEX ELECTRONIC TECHNOLOGIES, LLC AND SHOULD NOT BE USED WITHOUT WRITTEN PERMISSION															
DIMENSION UNITS		SCALE		CURRENT REV DESC: OBSOLETE PART NUMBERS											
mm		2:1		<p>ZCXP BELLY TO BELLY SHORT ASSEMBLY</p> <p>PRODUCT CUSTOMER DRAWING</p>											
GENERAL TOLERANCES (UNLESS SPECIFIED)															
ANGULAR TOL ± 0.5°															
4 PLACES ±		EC NO: 653275								2020/12/31		DOCUMENT NUMBER		DOC TYPE DOC PART REVISION	
3 PLACES ±		DRWN: SKANDB								2021/02/04		SD-173124-0003		PSD 000 B1	
2 PLACES ± 0.25		CHK'D: GGA		2021/02/04		MATERIAL NUMBER		CUSTOMER							
1 PLACE ±		APPR: GGA		INITIAL REVISION:		SERIES		SHEET NUMBER							
0 PLACES ±		DRWN: NGK01		2017/02/16		C-SIZE		173124							
DRAFT WHERE APPLICABLE MUST REMAIN WITHIN DIMENSIONS		THIRD ANGLE PROJECTION		DRAWING		SERIES		SEE TABLE							
				C-SIZE		173124		GENERAL MARKET							
								1 OF 5							

DOCUMENT STATUS	P1	RELEASE DATE	2021/02/04	07:34:10
-----------------	----	--------------	------------	----------



- NOTES:
1. CROSS-HATCHED AREA TO BE CONDUCTIVE ON THE PCB.
 2. CROSS-HATCHED AREA MUST BE INCORPORATED IN THE FLAT ROCK PRESS-FIT TOOLING.
 3. REFER TO THE PLATING DETAIL OF THE COMPLIANT PIN HOLES IN THE APPLICATION SPEC AS-173124-0002 FOR THE DRILL SIZE AND ANNULAR RING FOR THE Ø0.37 FINISHED HOLE.
 4. MINIMUM RECOMMENDED SPACING: 29.00
 5. FEATURES IN PHANTOM LINES ARE RELATED FOR USE WITH CONNECTOR ASSEMBLY SERIES 173159 FOR GANGED SIDE BY SIDE AND BELLY TO BELLY APPLICATIONS.
 6. NO SIGNAL ROUTING ON TOP LAYER.

RECOMMENDED PCB LAYOUT
COMPONENT SIDE SHOWN

PCB THICKNESS: 1.44mm MIN.

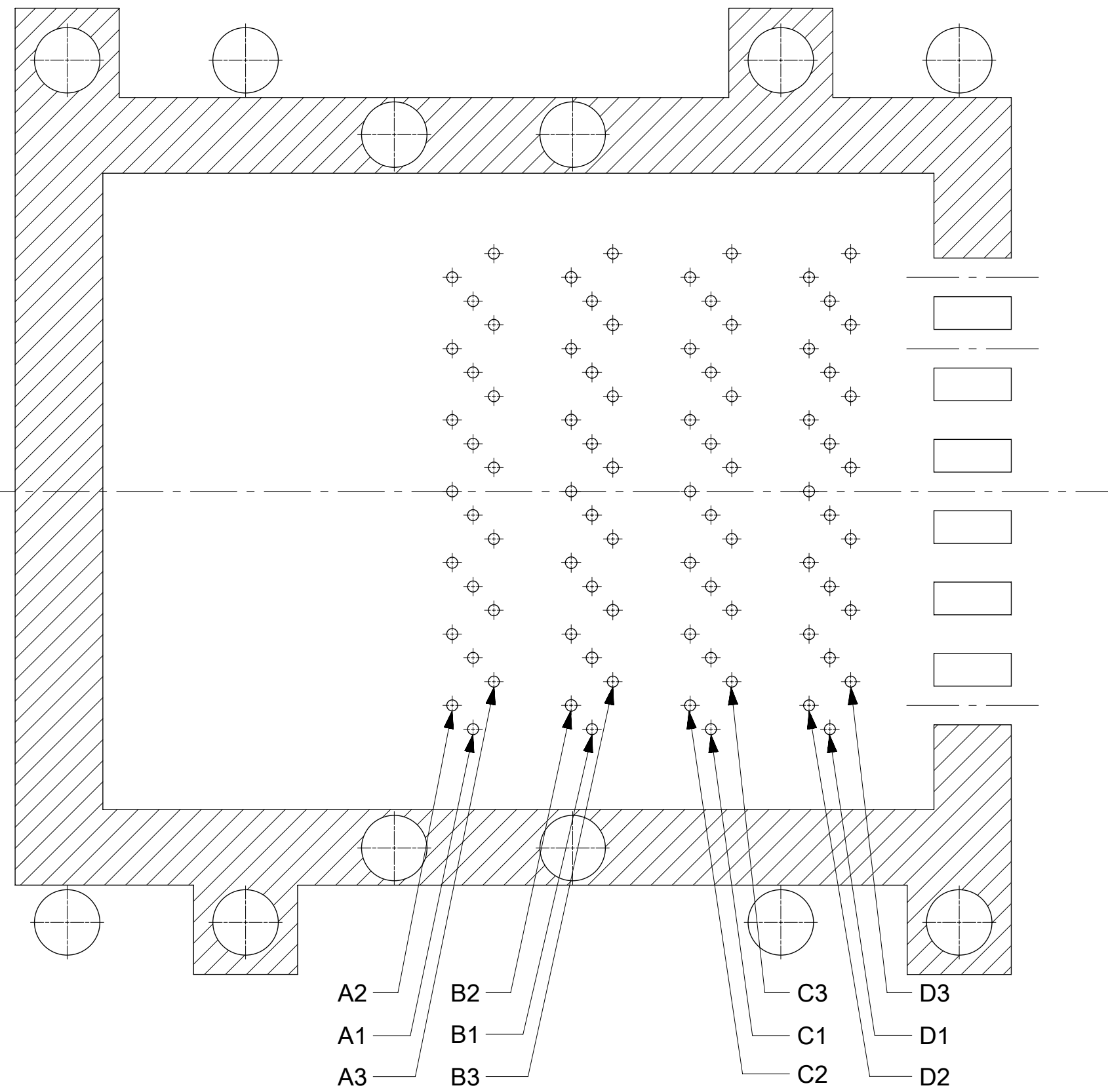
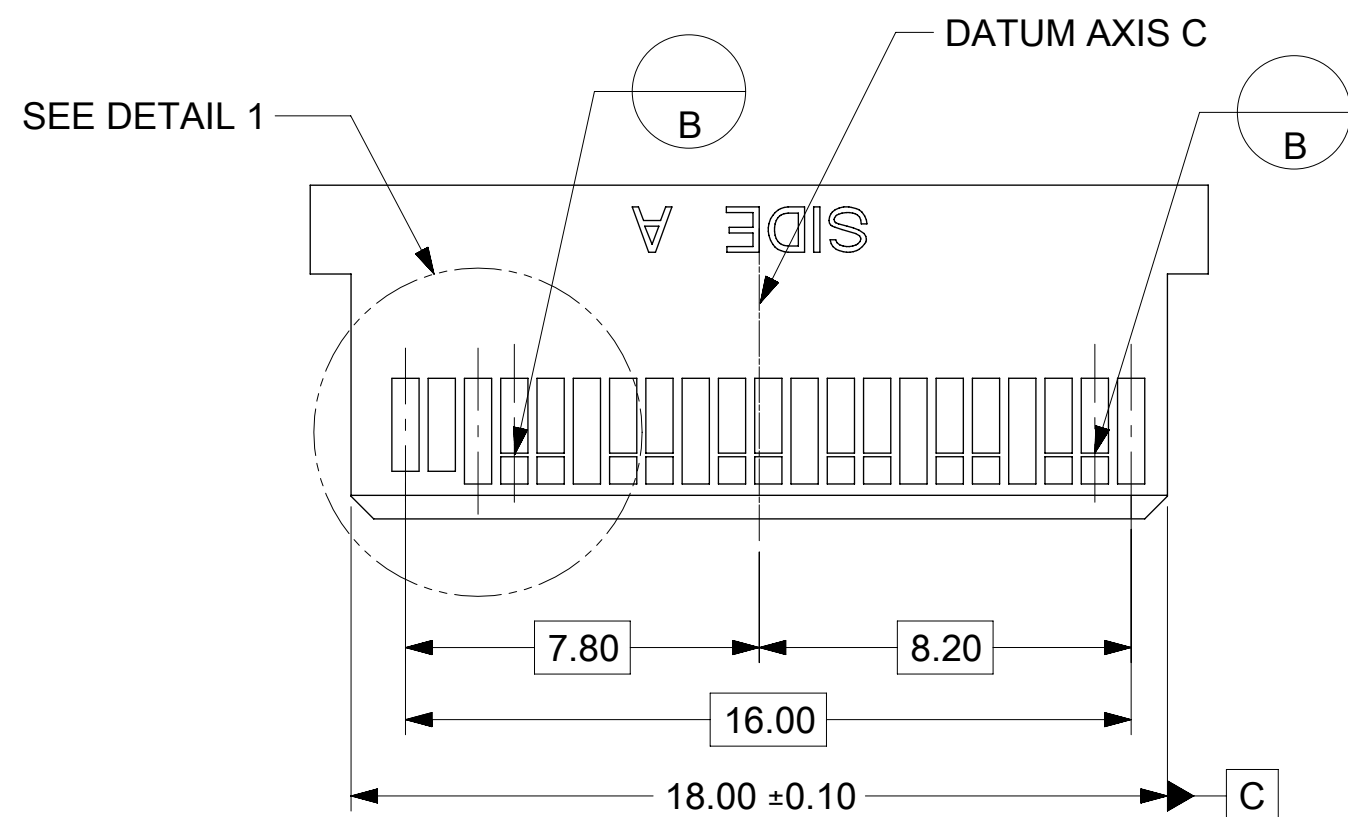
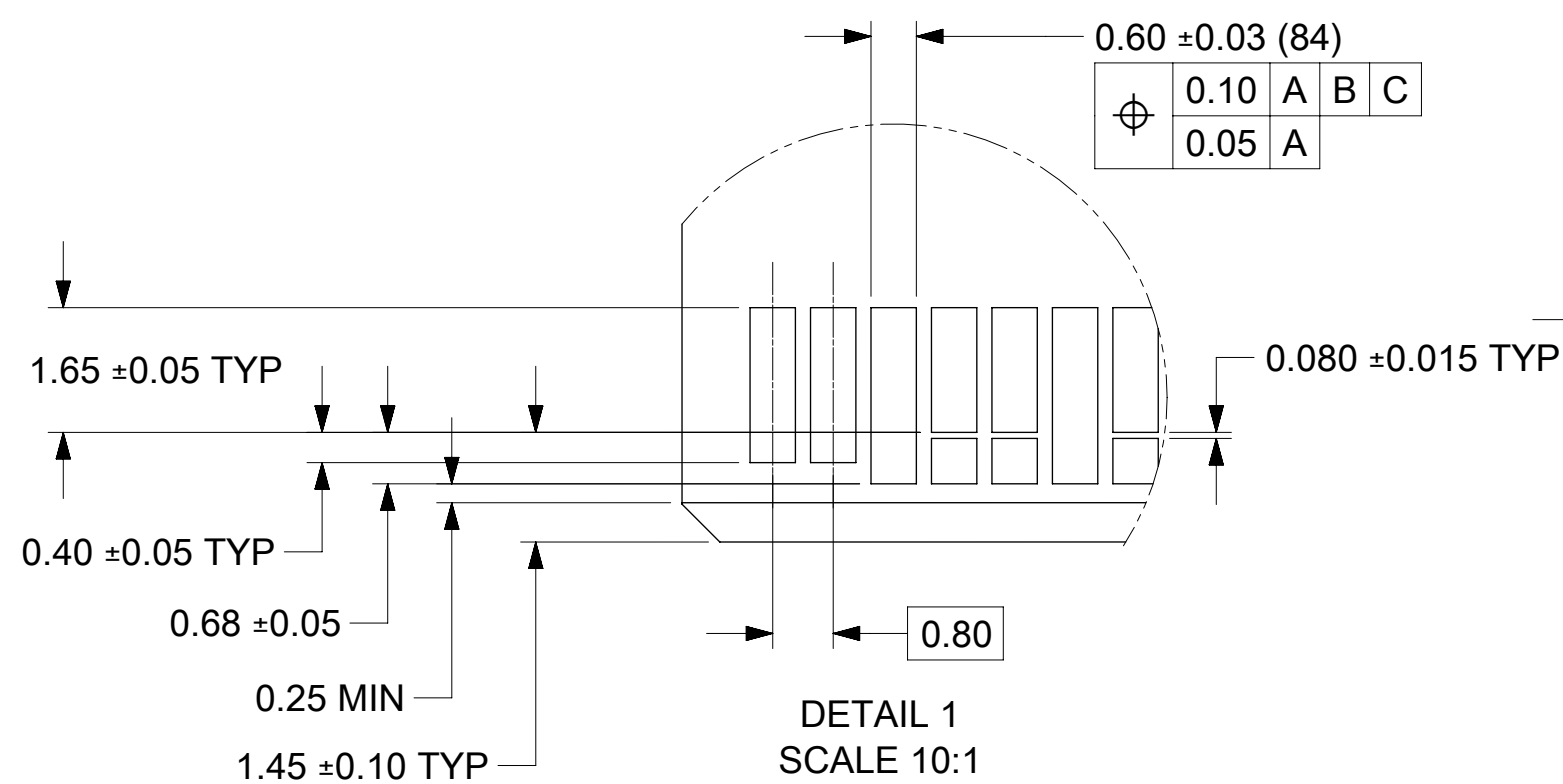
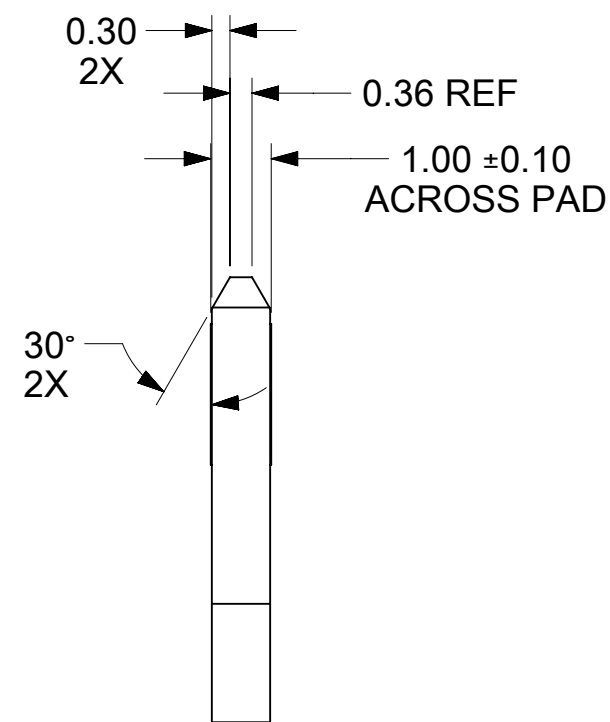
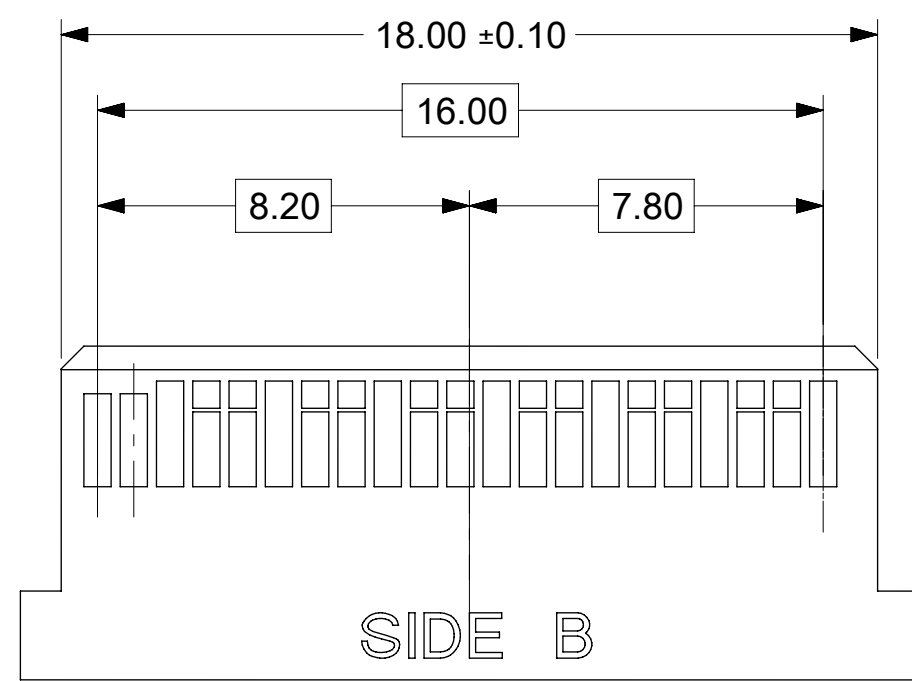
THIS DRAWING CONTAINS INFORMATION THAT IS PROPRIETARY TO MOLEX ELECTRONIC TECHNOLOGIES, LLC AND SHOULD NOT BE USED WITHOUT WRITTEN PERMISSION									
DIMENSION UNITS		SCALE		CURRENT REV DESC: OBSOLETE PART NUMBERS					
mm		6:1							
GENERAL TOLERANCES (UNLESS SPECIFIED)									
ANGULAR TOL ± 0.5°				EC NO: 653275					
4 PLACES ±				DRWN: SKANDB		2020/12/31			
3 PLACES ±				CHK'D: GGA		2021/02/04			
2 PLACES ± 0.25				APPR: GGA		2021/02/04			
1 PLACE ±				INITIAL REVISION:					
0 PLACES ±				DRWN: NGK01		2017/02/16			
				APPR: SMILLER		2017/04/17			
DRAFT WHERE APPLICABLE MUST REMAIN WITHIN DIMENSIONS				THIRD ANGLE PROJECTION		DRAWING		SERIES	
				C-SIZE		173124			
				MATERIAL NUMBER		CUSTOMER		SHEET NUMBER	
				SEE TABLE		GENERAL MARKET		2 OF 5	

molex

ZCXP BELLY TO BELLY
SHORT ASSEMBLY

PRODUCT CUSTOMER DRAWING

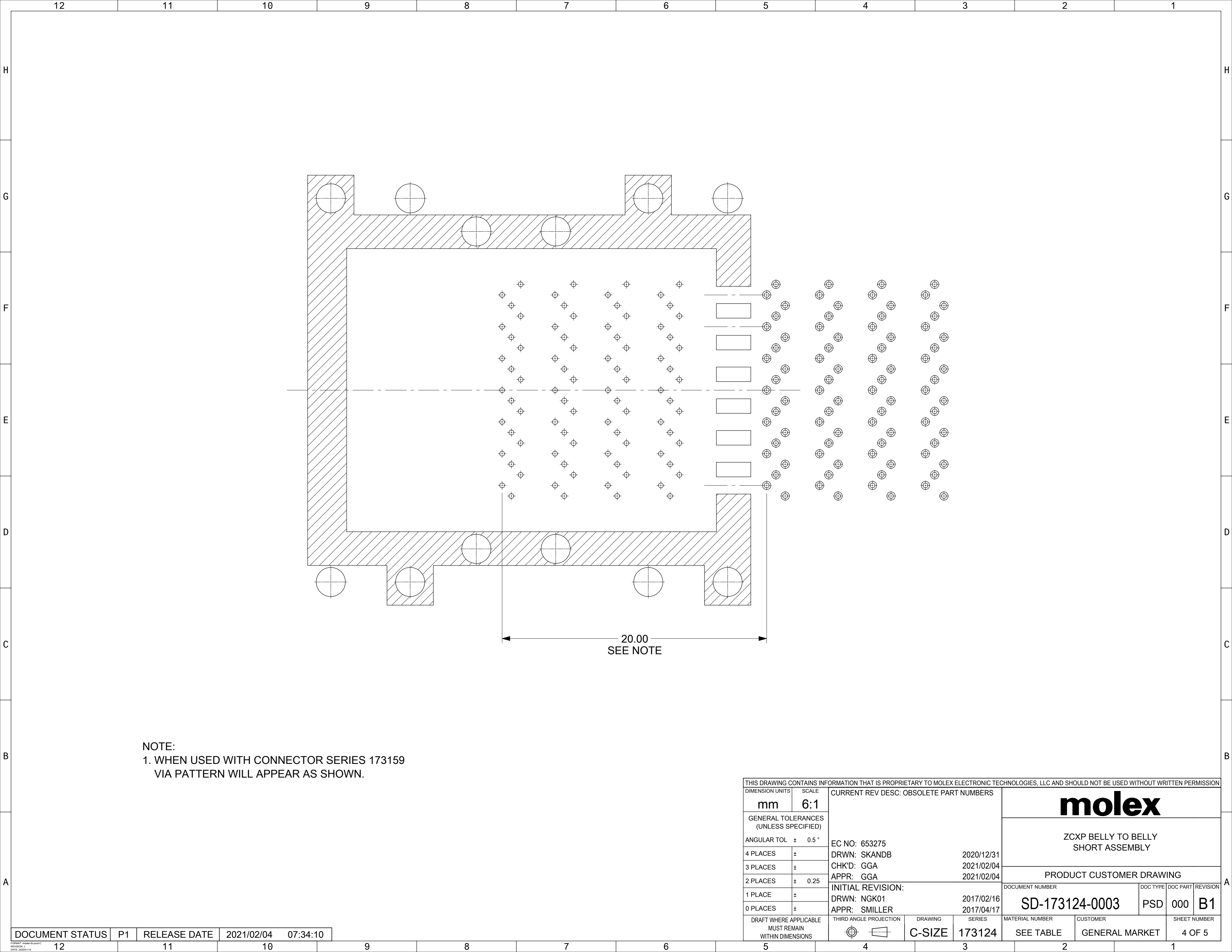
DOCUMENT NUMBER	DOC TYPE	DOC PART	REVISION
SD-173124-0003	PSD	000	B1



- NOTES:
- 0.03 MINIMUM KEEP OUT FOR SOLDER MASK AROUND ALL PADS
 - DATUM B TARGETS ARE DEFINED BY THE RESPECTIVE PAD CENTER LINES AND THE LEADING EDGE OF THE TARGET PADS

THIS DRAWING CONTAINS INFORMATION THAT IS PROPRIETARY TO MOLEX ELECTRONIC TECHNOLOGIES, LLC AND SHOULD NOT BE USED WITHOUT WRITTEN PERMISSION											
DIMENSION UNITS		SCALE		CURRENT REV DESC: OBSOLETE PART NUMBERS						molex	
mm		6:1									
GENERAL TOLERANCES (UNLESS SPECIFIED)				EC NO: 653275						ZCXP BELLY TO BELLY SHORT ASSEMBLY	
ANGULAR TOL ± 0.5°				4 PLACES ±		DRWN: SKANDB		2020/12/31		PRODUCT CUSTOMER DRAWING	
3 PLACES ±				3 PLACES ±		CHK'D: GGA		2021/02/04		DOCUMENT NUMBER	
2 PLACES ± 0.25				2 PLACES ±		APPR: GGA		2021/02/04		DOC TYPE DOC PART REVISION	
1 PLACE ±				1 PLACE ±		INITIAL REVISION:		2017/02/16		SD-173124-0003	
0 PLACES ±				0 PLACES ±		DRWN: NGK01		2017/04/17		PSD 000 B1	
DRAFT WHERE APPLICABLE MUST REMAIN WITHIN DIMENSIONS				THIRD ANGLE PROJECTION		DRAWING		SERIES		MATERIAL NUMBER CUSTOMER SHEET NUMBER	
						C-SIZE		173124		SEE TABLE GENERAL MARKET 3 OF 5	

DOCUMENT STATUS	P1	RELEASE DATE	2021/02/04	07:34:10
-----------------	----	--------------	------------	----------



NOTE:
 1. WHEN USED WITH CONNECTOR SERIES 173159
 VIA PATTERN WILL APPEAR AS SHOWN.

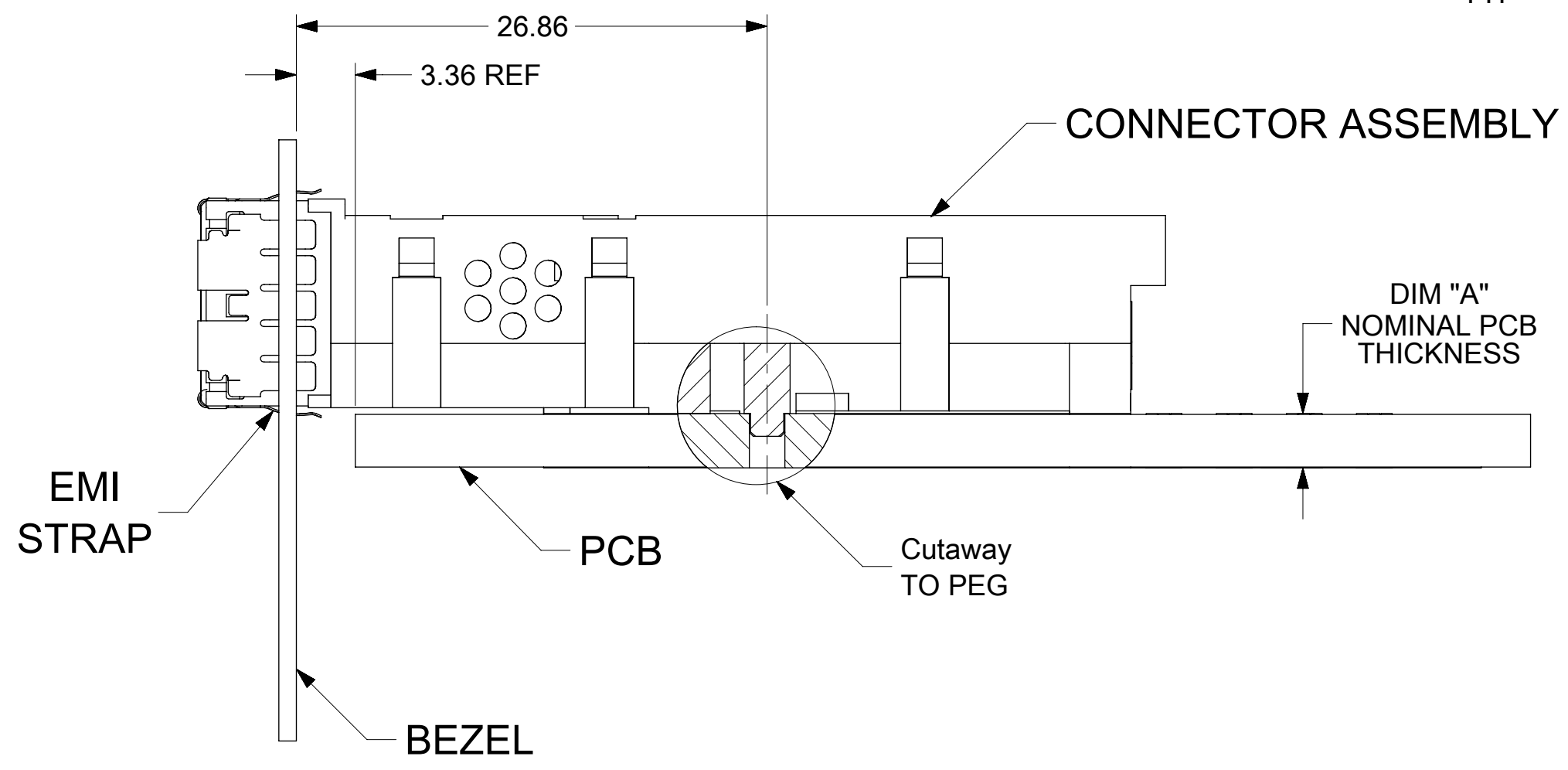
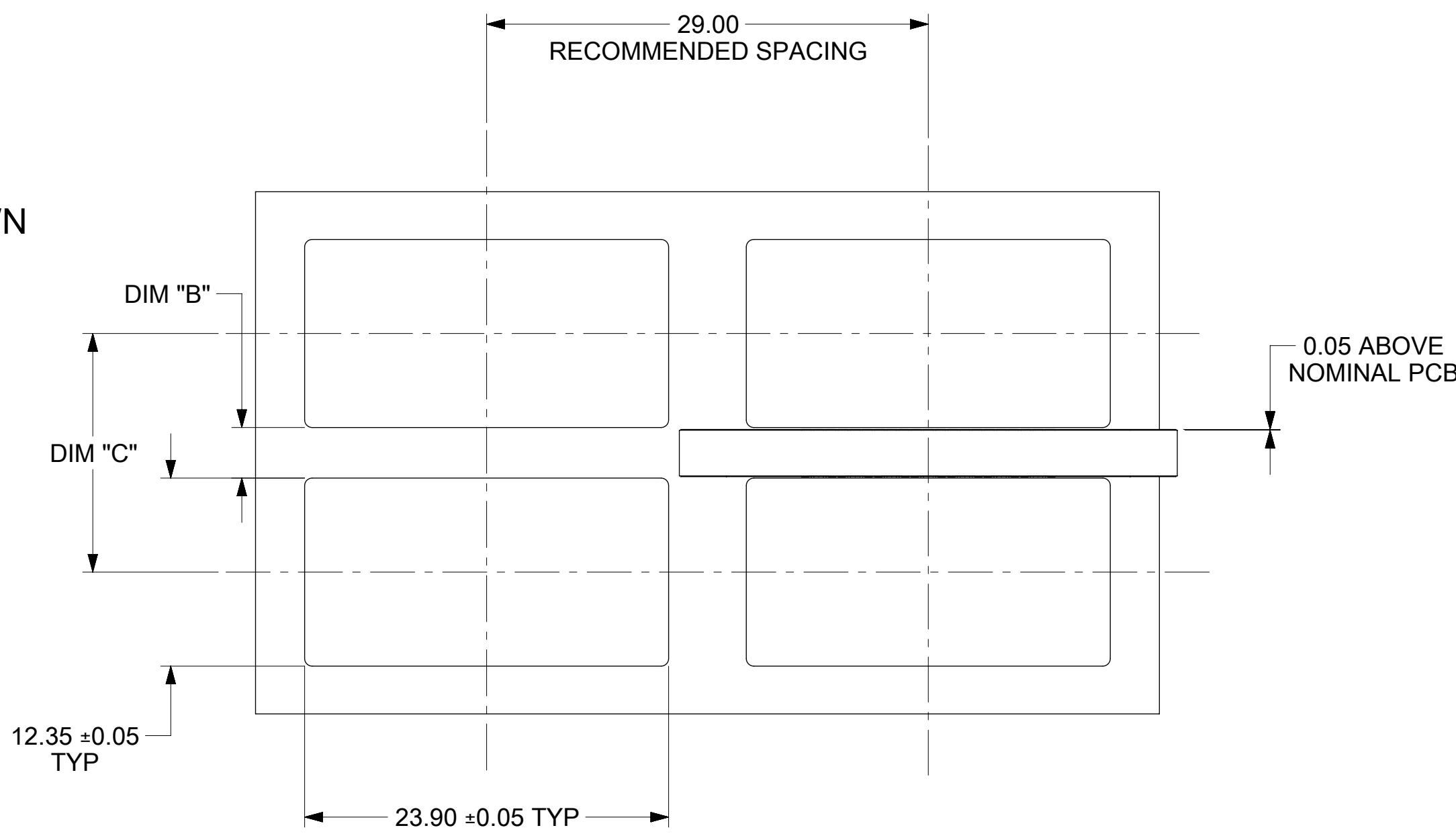
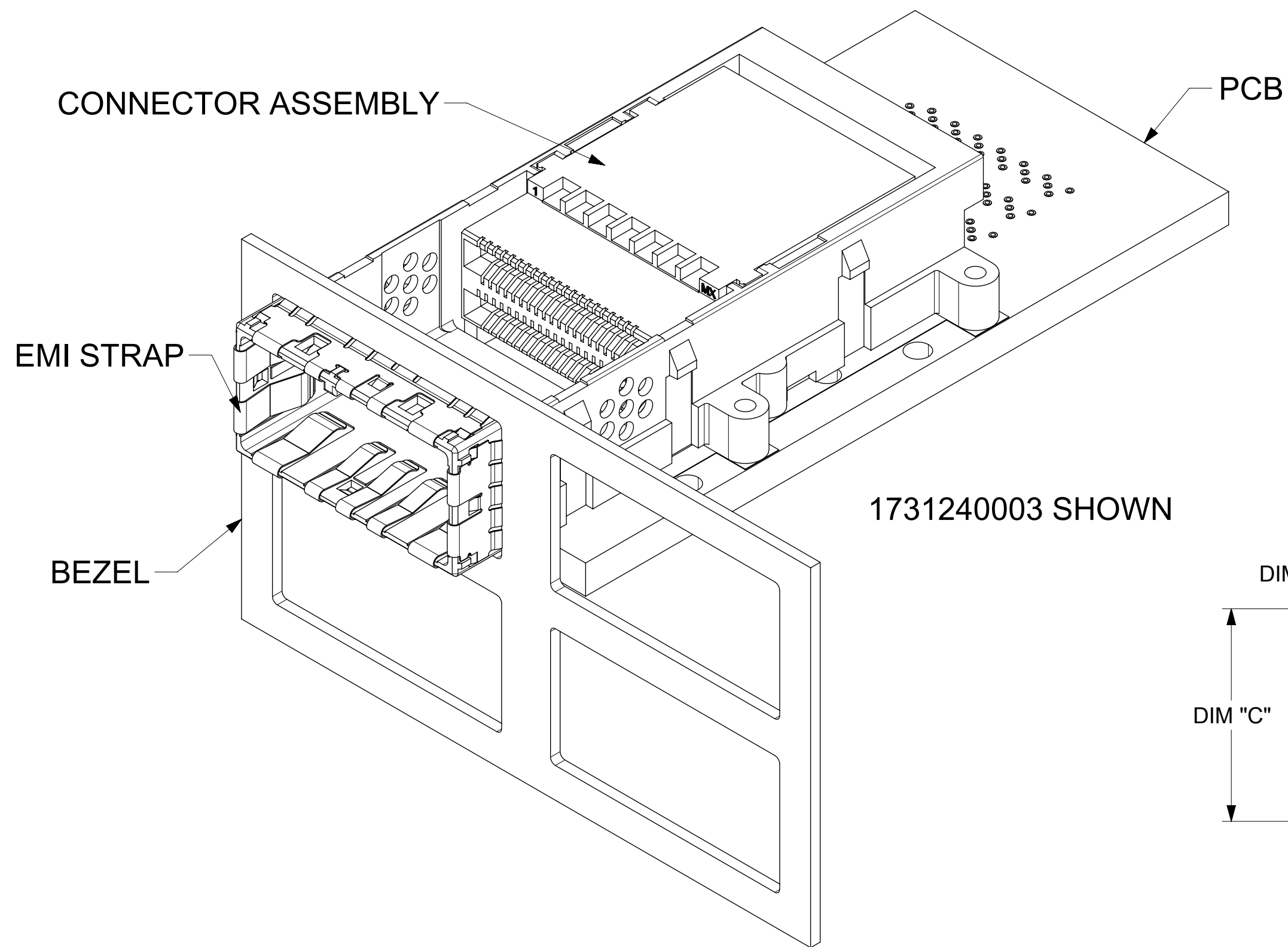
20.00
 SEE NOTE

THIS DRAWING CONTAINS INFORMATION THAT IS PROPRIETARY TO MOLEX ELECTRONIC TECHNOLOGIES, LLC AND SHOULD NOT BE USED WITHOUT WRITTEN PERMISSION									
DIMENSION UNITS		SCALE		CURRENT REV DESC: OBSOLETE PART NUMBERS				molex	
mm		6:1							
GENERAL TOLERANCES (UNLESS SPECIFIED)								ZCXP BELLY TO BELLY SHORT ASSEMBLY	
ANGULAR TOL ± 0.5°				EC NO: 653275					
4 PLACES ±				DRWN: SKANDB		2020/12/31		PRODUCT CUSTOMER DRAWING	
3 PLACES ±				CHK'D: GGA		2021/02/04			
2 PLACES ± 0.25				APPR: GGA		2021/02/04		DOCUMENT NUMBER SD-173124-0003	
1 PLACE ±				INITIAL REVISION:					
0 PLACES ±				DRWN: NGK01		2017/02/16		DOC TYPE PSD	
				APPR: SMILLER		2017/04/17		DOC PART 000	
DRAFT WHERE APPLICABLE MUST REMAIN WITHIN DIMENSIONS		THIRD ANGLE PROJECTION		DRAWING		SERIES		SHEET NUMBER	
				C-SIZE		173124		4 OF 5	
MATERIAL NUMBER SEE TABLE		CUSTOMER GENERAL MARKET		REVISION B1					

DOCUMENT STATUS	P1	RELEASE DATE	2021/02/04	07:34:10
-----------------	----	--------------	------------	----------

DIM "A"	DIM "B"	DIM "C"	MINIMUM PCB
3.10	3.32	15.67	10% NOM THK
1.60	1.82	14.17	1.44
2.80	3.02	15.37	10% NOM THK

NOTE: WITH 1.44 MINIMUM PCB THICKNESS, WILL NOT SUPPORT PLUGS WITH GREATER THAN 28 AWG CABLE.



THIS DRAWING CONTAINS INFORMATION THAT IS PROPRIETARY TO MOLEX ELECTRONIC TECHNOLOGIES, LLC AND SHOULD NOT BE USED WITHOUT WRITTEN PERMISSION

DIMENSION UNITS	SCALE	CURRENT REV DESC: OBSOLETE PART NUMBERS		molex				
mm	3:1							
GENERAL TOLERANCES (UNLESS SPECIFIED)				ZCXP BELLY TO BELLY SHORT ASSEMBLY				
ANGULAR TOL	± 0.5°	EC NO: 653275		PRODUCT CUSTOMER DRAWING				
4 PLACES	±	DRWN: SKANDB	2020/12/31	DOCUMENT NUMBER				
3 PLACES	±	CHK'D: GGA	2021/02/04	SD-173124-0003		DOC TYPE	DOC PART	REVISION
2 PLACES	± 0.25	APPR: GGA	2021/02/04	SEE TABLE		PSD	000	B1
1 PLACE	±	INITIAL REVISION:		MATERIAL NUMBER				
0 PLACES	±	DRWN: NGK01	2017/02/16	GENERAL MARKET		SHEET NUMBER		
DRAFT WHERE APPLICABLE MUST REMAIN WITHIN DIMENSIONS		THIRD ANGLE PROJECTION	DRAWING	SERIES	CUSTOMER		5 OF 5	
			C-SIZE	173124	GENERAL MARKET			