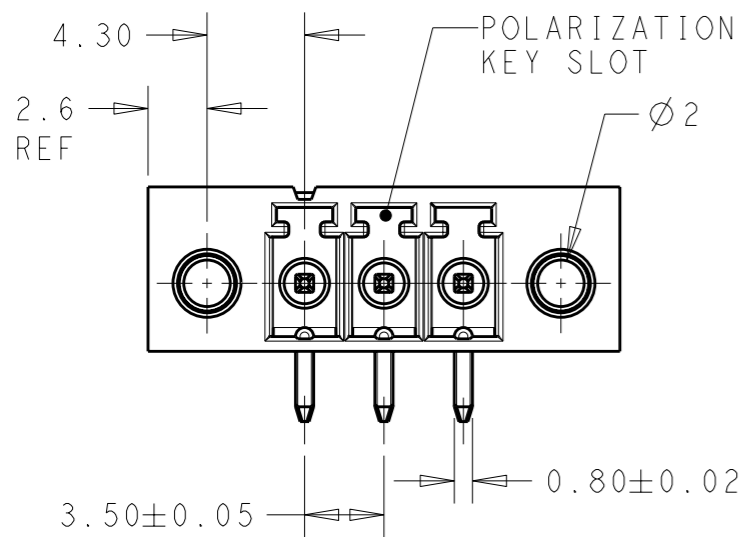


THIS DRAWING IS UNPUBLISHED. RELEASED FOR PUBLICATION 20
© COPYRIGHT 20 BY TYCO ELECTRONICS CORPORATION. ALL INTERNATIONAL RIGHTS RESERVED.

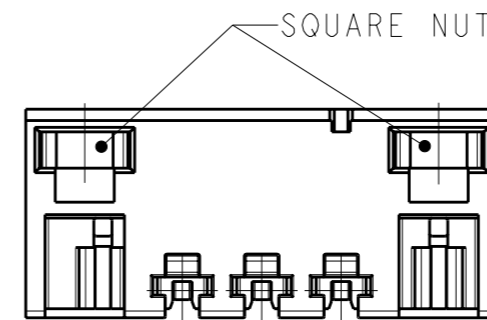
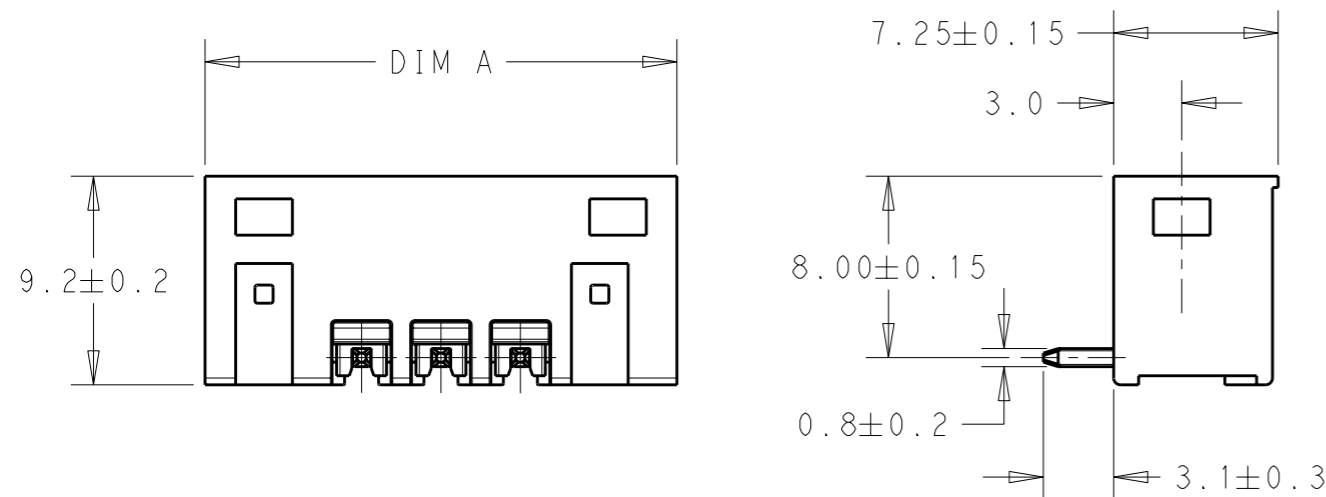
| LOC | DIST | REVISIONS | | | | |
|-----|------|-------------|---------------------------|-----------|------|----|
| P | LTR | DESCRIPTION | DATE | DWN | APVD | |
| - | - | 01 | REVISED PER ECO-09-027788 | 07JAN2010 | SS | CR |



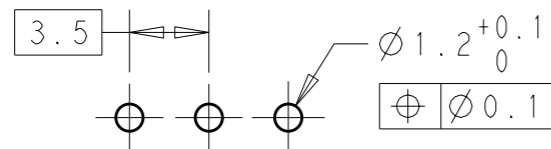
1 MATERIALS AND FINISH:
HOUSING: HIGH TEMPERATURE POLYAMIDE, UL94V-0,
COLOR: BLACK.
TERMINAL: PHOSPHOR BRONZE, TIN PLATED.

2. CONNECTOR ASSEMBLY INCLUDES 2 SQUARE NUTS LOADED IN CAVITY.

3. UL RATING: 300V, 11A.



| | | |
|-------|------------|-------------|
| 52.3 | 12 | 1-1776136-2 |
| 48.8 | 11 | 1-1776136-1 |
| 45.3 | 10 | 1-1776136-0 |
| 41.8 | 9 | 1776136-9 |
| 38.3 | 8 | 1776136-8 |
| 34.8 | 7 | 1776136-7 |
| 31.3 | 6 | 1776136-6 |
| 27.8 | 5 | 1776136-5 |
| 24.3 | 4 | 1776136-4 |
| 20.8 | 3 | 1776136-3 |
| 17.3 | 2 | 1776136-2 |
| DIM A | NO OF POS. | PART NUMBER |



RECOMMENDED PC BOARD LAYOUT

THIS DRAWING IS A CONTROLLED DOCUMENT FOR TYCO ELECTRONICS CORPORATION IT IS SUBJECT TO CHANGE AND THE CONTROLLING ENGINEERING ORGANIZATION SHOULD BE CONTACTED FOR THE LATEST REVISION.

| | | | | |
|-------------------|---|--|---|---------|
| DIMENSIONS: mm | TOLERANCES UNLESS OTHERWISE SPECIFIED: 0 PLC ± 1 PLC ±0.3 2 PLC ±0.25 3 PLC ± 4 PLC ± ANGLES ±2 | DWN S. SCHLEGEL 07JAN2010 CHK C RICHARD 07JAN2010 APVD C RICHARD 07JAN2010 | Tyco Electronics Harrisburg, PA 17105-3608 | |
| MATERIAL - | FINISH - | PRODUCT SPEC - APPLICATION SPEC - WEIGHT - | NAME: TERMINAL BLOCK HEADER ASSEMBLY, 90 DEGREES, W THREADED FLG, 3.5mm PITCH SIZE: A3 CAGE CODE: 00779 DRAWING NO: C-1776136 RESTRICTED TO: - | |
| CUSTOMER DRAWING | | SCALE: 3:1 | SHEET: 1 OF 1 | REV: 01 |