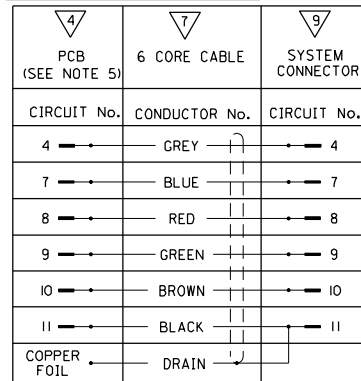


**BILL OF MATERIALS**

NO.	QTY	SUPPLIER	DESCRIPTION	PART No.	SEE NOTE
1	1	STARCONN	9 POS FEMALE D SUB	DS-09S	2,3,5,6
2	2	STARCONN	SCREW	I5-04N00N-002	2,3
3	1	MOLEX	D SUB CONNECTOR DOUBLE OVERMOULD	99038-0046	5
4	1	MOLEX	PCB	90848-0225	2,3,4,5
5	1	MOLEX	COPPER FOIL	90848-0224	2,6
6	2	MOLEX	SCREW OVERMOULD	99038-0070	
7	1	MOLEX	6 CORE CABLE SEE CABLE SPECIFICATION	99036-0169	2
8	1	MOLEX	OVERMOULD GROMMET AND FERRULE	99038-0018 90875-0004	
9	1	SMK	SYSTEM CONNECTOR SET NOKIA P/N 540Y115	CSC 1008-0101R	2,3
10	1	MOLEX	LABEL	90848-0223	2,3
11	1	NO PREFERRED SUPPLIER	TIE WRAP	90848-0093	7

**WIRING DIAGRAM : 6 CORE CABLE**



**7 CABLE SPECIFICATION**

1. CABLE TYPE: FLAT  RIBBON  ROUND  OTHER   
 SPIRAL CABLE YES  NO   
 NO. OF CONDUCTORS: 6

2. CABLE REQUIREMENTS: CABLE MUST UNWIND FROM REEL WITH ORIENTATION AS PER DIAGRAM BELOW

3. CONDUCTOR SPECIFICATIONS:

CONDUCTOR NO.	CONDUCTOR NO.
1 - 6	1 - 6
- MATERIAL	TINNED CU
- A.W.G.	28
- STRANDING QTY/MM	19/0.08
- TENSILE STRENGTH	N/A
- INSULATION	
- MATERIAL	PP
- NOM. WALL THICKNESS	0.15
- COLOUR	SEE CABLE DIAGRAM/COLOUR CODE
- OUTSIDE DIAMETER	0.70 ± 0.05
DIRECTION OF LAY	S
LENGTH OF LAY	45
U.L. RATING	N/A

COLOURS:  
 1. BLACK  
 2. BROWN  
 3. RED  
 4. BLUE  
 5. GREY  
 6. GREEN

SCALE 10:1

4. FILLER: ENOUGH TO MAKE CABLE ROUND

5. SEPARATOR: TYPE FLEECE  
LAY DIRECTON N/A

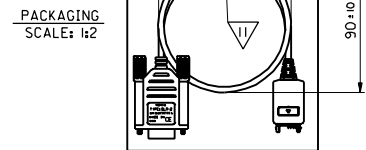
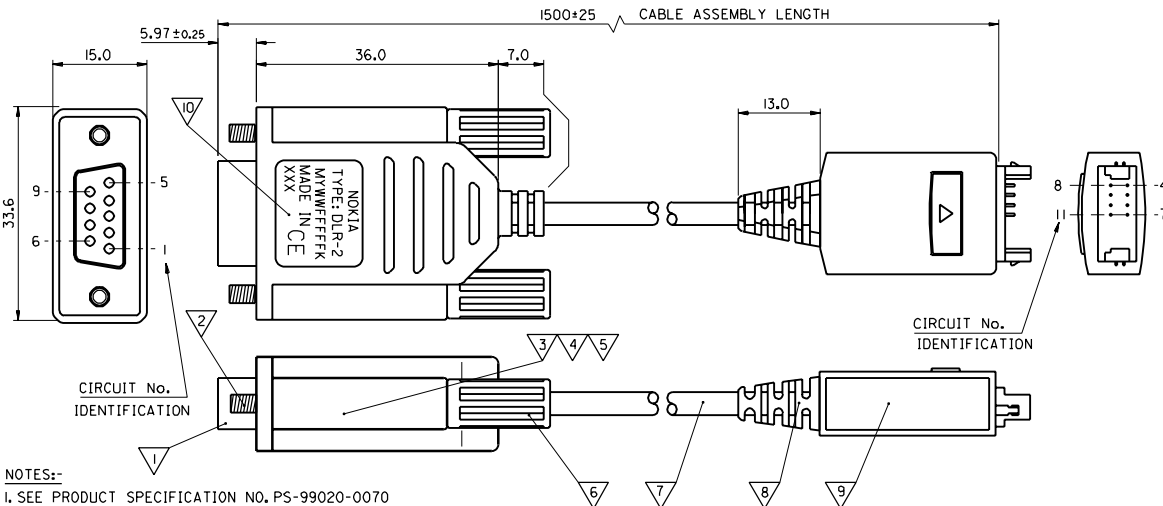
6. SHIELD: FOIL TYPE ALUMINIUM FOIL  
FOIL FACING SILVER SIDE IN

7. DRAIN WIRE: GAUGE 30  
STRANDING 7/0.10  
REQUIREMENT DRAIN WIRE TO BE INSIDE SHIELD

8. SPIRAL/BRAID: GAUGE N/A  
COPPER TYPE  
COVERAGE

9. CABLE JACKET: TYPE POLYURETHANE  
FINAL DIAMETER 3.50 ± 0.10  
NOM. THICKNESS 0.60 ± 0.05  
COLOUR BLACK  
FINISH MATT  
U.L. RATING N/A  
HARDNESS 84 SHORE A  
STRIPABILITY GOOD  
MARKINGS N/A

10. PACKAGING: PACKAGING SEE PACKAGING SPECIFICATION ESTABLISHED BY LOCAL PURCHASING AND MANUFACTURING DEPARTMENTS.



**NOTES:-**

- SEE PRODUCT SPECIFICATION NO. PS-99020-0070
- ONLY AVAILABLE FROM MOLEX AS PART OF A CABLE ASSEMBLY.
- SUPPLIER OR CUSTOMER APPROVED EQUIVALENT.
- ASSEMBLIES TESTED FOR SHORTS AND DISCONTINUITIES BETWEEN SYSTEM CONNECTOR AND PCB.
- PCB TO BE STRADDLE MOUNTED BETWEEN SOLDER CUPS OF D SUB CONNECTOR AND OVERMOULDED WITH INNER MOULD.
- COPPER FOIL TO BE CONNECTED TO D-SUB CONNECTOR.
- PARTS TO BE INDIVIDUALLY COILED AND PACKED AS SHOWN IN PBAGS. ENSURE TIE WRAP IS WRAPPED AROUND CABLE, NOT TWISTED. PLACE LABEL ON EACH BAG, LABEL INFORMATION TO BE AS FOLLOWS: MONTH AND YEAR, "XX", TO BE PRINTED ACCORDING TO IEC 62 INDEX 5.1

MOLEX 92601-0007  
MY MX1  
NOKIA DLR-2

ORIGINAL RELEASE EC No. E70340 DRAWN BY: DRW:RYAN 98/11/03 CHK: / APP: /	QUALITY SYMBOLS MAJOR CRITICAL	GENERAL TOLERANCES: (UNLESS SPECIFIED)	SCALE 2 : 1	DESIGN UNITS mm INCH	THIRD ANGLE mm INCH	SHT REV
	DESCRIPTION	mm 4 PLACES ±0. 3 PLACES ±0. 2 PLACES ±0. 1 PLACE ±0.20	SCALE 2 : 1	DATE 7/1/26	DATE 9/1/26	DATE 9/1/26
REV	DESCRIPTION	ANGULAR: ± 1/2°	DESIGN SPECIFICATION NO. DGN 92601-0007	DATE 9/1/26	DATE 9/1/26	DATE 9/1/26

THIS DRAWING CONTAINS INFORMATION THAT IS PROPRIETARY TO MOLEX INC. AND SHOULD NOT BE USED WITHOUT WRITTEN PERMISSION.

TITLE: DLR-2 DATA CABLE ASSEMBLY  
 MOLEX INCORPORATED  
 DRAWING NO. 92601-0007  
 SHEET NO. 1 OF 1

PART NO. 92601-0007  
REV. 01  
DATE 05/01/00