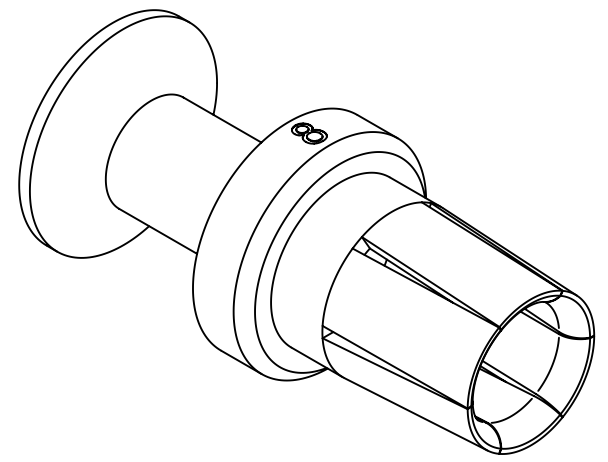
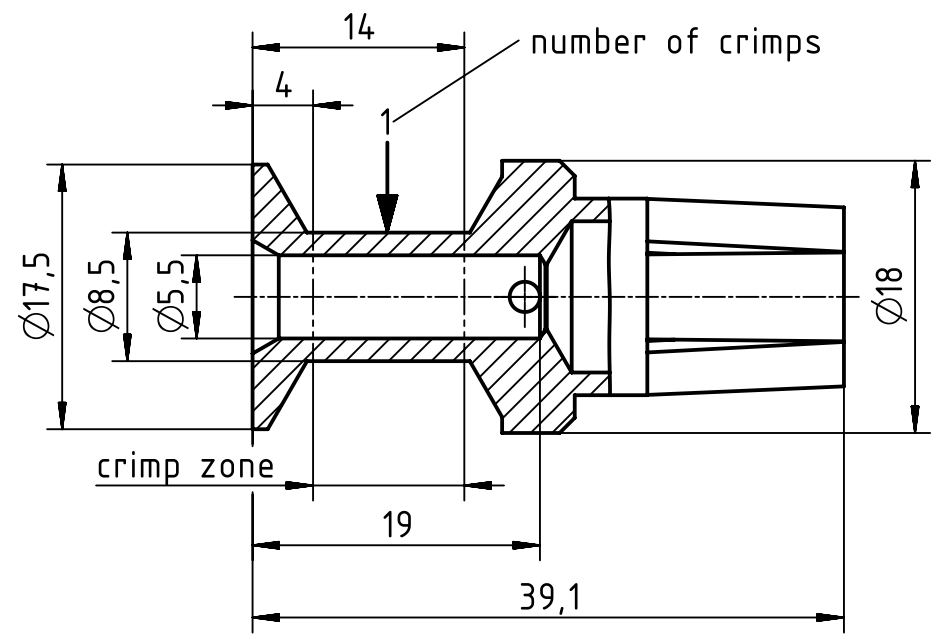


A


B

C

D



assembly notes see catalog  
 crimp zone acc. to DIN EN 46235; indicator 8  
 for stranded fine wire acc. to VDE 0295 class 5/IEC 60228 class 5  
 wire gauge: 16mm<sup>2</sup>  
 stripping length: 19mm

	All Dimensions in mm Original Size DIN A4		Scale 2:1	Free size tol.		Ref.	
	All rights reserved Department EL PD - DE		Created by FINKEV	Inspected by SCHNIEDER	Standardisation SCHMIDTM	Date 2015-01-19	State Final Release
HARTING Electric GmbH & Co. KG D-32339 Espelkamp		Title Han TC200 female contact 16mm <sup>2</sup>				Doc-Key / ECM-Nr. 100591722/UGD/001/B 500000083632	
		Type TB	Number 09 11 000 6250			Rev. B	Page 1/1