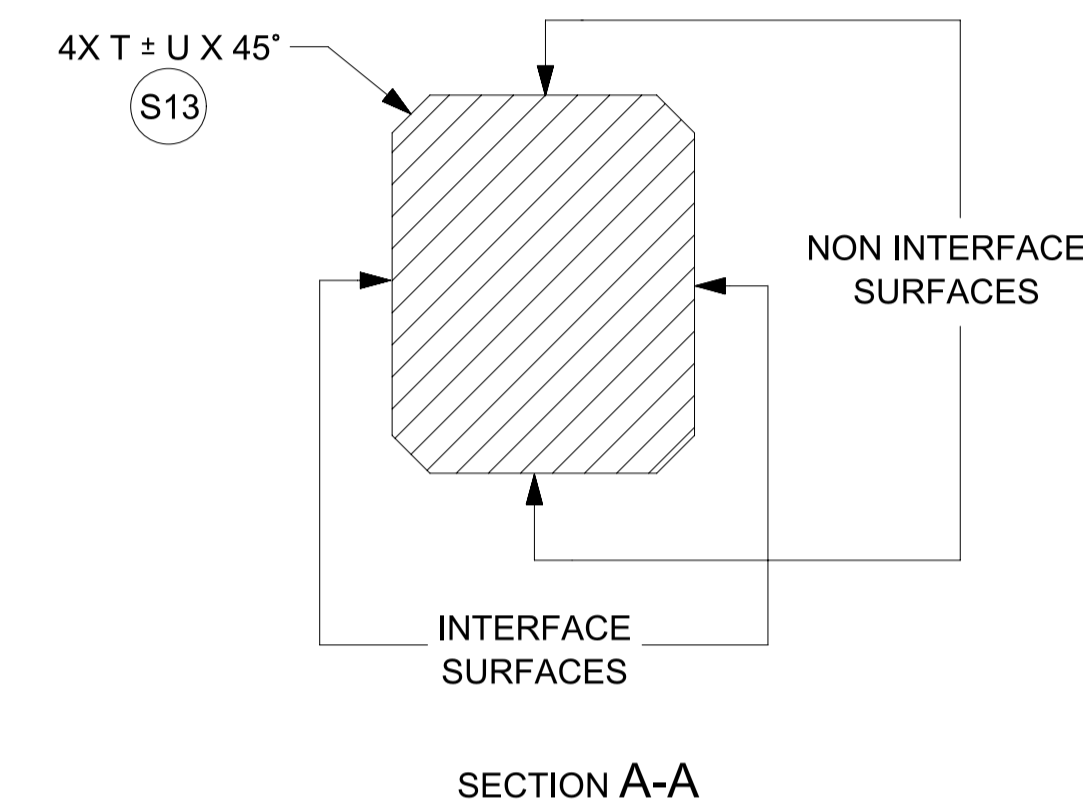
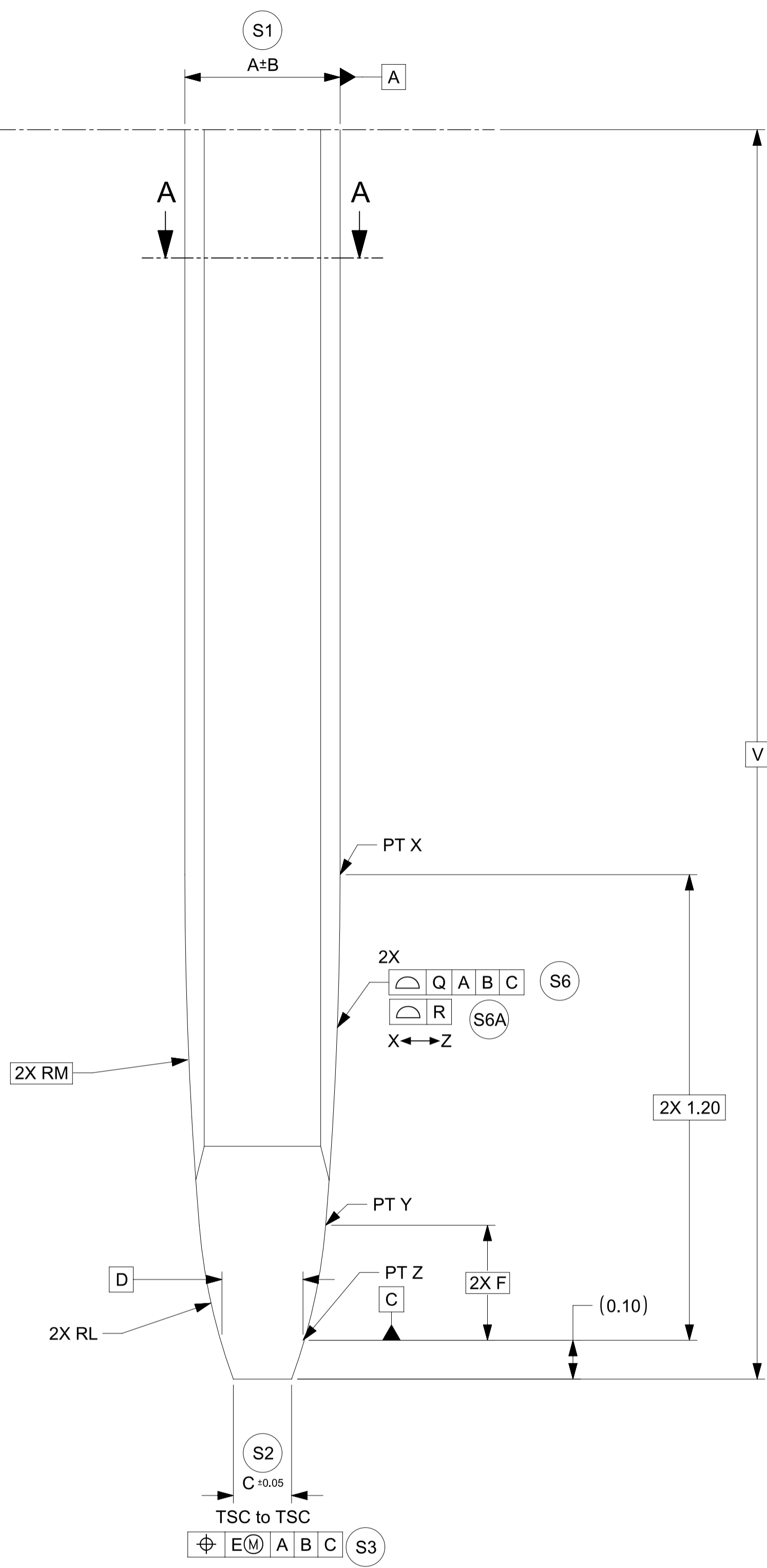


GEOMETRY & PLATING ABOVE THE LINE IS NOT CONTROLLED BY THIS DOCUMENT



SECTION A-A

TABLE 1			DRAWING DIMENSIONS																		
Model NO.	Description	Application	A	B	C	D	E	F	G	H	J	L	M	N	P	Q	R	T	U	V	W
34735-0004_FM_000	0.50mm BLADE	HEADER	0.40	0.015	0.15	0.216	0.05	0.296	0.50	0.03	0.05	1.5	11	0.20	0.50	0.10	0.06	0.05	0.03	4.0 MIN	0.08
34735-0001_FM_000	0.64mm BLADE - NORMAL THICKNESS	HEADER	0.64	0.03	0.25	0.356	0.10	0.285	0.64	0.03	0.05	1	7	0.25	0.55	0.10	0.06	0.05	0.03	5.5 MIN	0.08
34735-0002_FM_000	0.64mm BLADE - REDUCED THICKNESS	HEADER	0.625	0.015	0.234	0.341	0.10	0.285	0.64	0.03	0.05	1	7	0.25	0.55	0.10	0.06	0.05	0.03	5.5 MIN	0.08
34735-0006_FM_000	1.20mm BLADE	HEADER	0.60	0.015	0.21	0.316	0.10	0.285	1.00	0.05	0.05	1	7	0.59	0.55	0.10	0.06	0.05	0.03	5.5 MIN	0.13
34735-0003_FM_000	1.50mm BLADE	HEADER	0.80	0.03	0.25	0.321	0.10	1.10	1.50	0.05	0.10	4.775	1.083	0.5	1.68	0.10	0.06	0.05	0.03	5.0 MIN	0.13
34735-0010_FM_000	2.8mm BLADE	HEADER	0.80	0.025	0.20	0.345	0.10	0.314	2.50	0.10	0.10	1	4	1.80	1.10	0.15	0.06	0.06	0.05	9.5 MIN	0.25
34735-0011_FM_000	6.3mm BLADE	HEADER	0.80	0.025	0.31	0.345	0.10	0.314	6.0	0.25	0.20	1	4	3.90	1.10	0.15	0.06	0.06	0.05	10.5 MIN	0.13
34735-0012_FM_000	1.20mm BLADE	INLINE	0.60	0.015	0.21	0.316	0.10	0.285	1.20	0.05	0.05	1	7	0.59	0.55	0.10	0.06	N/A	N/A	5.5 MIN	0.13

<b>FUNCTIONAL SYMBOLS</b> $\nabla_A = 0$ $\nabla_C = 0$ $\nabla_P = 0$ <b>DIVISIONAL SYMBOLS</b>	THIS DRAWING CONTAINS INFORMATION THAT IS PROPRIETARY TO MOLEX ELECTRONIC TECHNOLOGIES, LLC AND SHOULD NOT BE USED WITHOUT WRITTEN PERMISSION		CURRENT REV DESC:		 DESIGN STANDARD HEADER PIN & BLADE TIP GEOMETRY FOR MATING TO HARNESS TERMINALS PRODUCT SALES DRAWING
	DIMENSION UNITS	SCALE	PHASE: Design Production		
	mm	100:1	EC NO: CO-00000508		
	GENERAL TOLERANCES (UNLESS SPECIFIED)		DRWN: Raghavendra MV		
ANGULAR TOL ± 0.5°		APPR: Deepak Patil		2022-01-31	
4 PLACES ± 0.00000		CHKD: Nathan Song		2022-02-07	
3 PLACES ± 0.0150		APPR: Deepak Patil		2022-02-09	
2 PLACES ± 0.050		INITIAL REVISION:			
1 PLACE ± 0.10		DRWN: Raghavendra MV		2022-01-31	
0 PLACES ± 0.00		APPR: Deepak Patil		2022-02-09	
DRAFT WHERE APPLICABLE MUST REMAIN WITHIN DIMENSIONS		THIRD ANGLE PROJECTION	DRAWING	SERIES	DOCUMENT NUMBER
			A1-SIZE	34735	347350050
					DOC TYPE   DOC PART   REVISION
					PSD   000   A21
					MATERIAL NUMBER   CUSTOMER   SHEET NUMBER
					2 OF 2

NOTES

1. GENERAL:

- 1.1. ALL PRODUCT SPECIFICATIONS AND THEIR RELATED DOCUMENTS USING THIS FEATURE MUST REFERENCE THIS DOCUMENT AS THE CONTROLLING SPECIFICATION AND USE THE SAME BALLOON NUMBERS.
- 1.2. COMPLIANCY TO THIS DOCUMENT:
  - a) COMPLIANCY MAY BE CLAIMED BY MEETING THE REQUIREMENTS IN THIS SPECIFICATION WITH THE DEVIATION IDENTIFIED AND MAY BE REFERENCED IN OTHER DOCUMENTS (DRAWINGS, DVP&R, ETC.) AS 'CONFORMS TO MOLEX 347350050 REV X.X'.
  - b) PRODUCTS DESIGNED AFTER THE DATE OF RELEASE OF THIS DOCUMENT SHALL BE COMPLIANT TO THE CURRENT REVISION OF THIS DOCUMENT.
  - c) PRODUCTS THAT HAVE MET PREVIOUS REVISION(S) OF THIS DOCUMENT SPECIFICATION SHALL STILL BE CONSIDERED 'MOLEX STANDARDS COMPLIANT' TO THOSE REVISIONS AND DO NOT NEED TO BE RE-VALIDATED.
- 1.3. DEVIATIONS TO THIS DOCUMENT ARE ALLOWABLE UNDER THE FOLLOWING CONDITIONS:
  - a) ALL DEVIATIONS SHALL SHOW EQUAL OR BETTER PERFORMANCE (ELECTRICAL/MECHANICAL) AS REQUIRED BY VALIDATION SPECIFICATION.
  - b) EXCEPTIONS ARE CLEARLY IDENTIFIED ON THE PRODUCT SPECIFICATION.
  - c) ALL DEVIATIONS ARE APPROVED BY THE FOLLOWING INDIVIDUALS:
    - PERSON WHO HAS INTERFACE RESPONSIBILITY
    - PERSON WITH DESIGN STANDARD APPROVER AUTHORITY
  - d) ALL RECORDS OF DEVIATION APPROVALS SHALL BE INCLUDED WITH CHANGE NOTICE DOCUMENTATION.

2. DESIGN - MATERIALS:

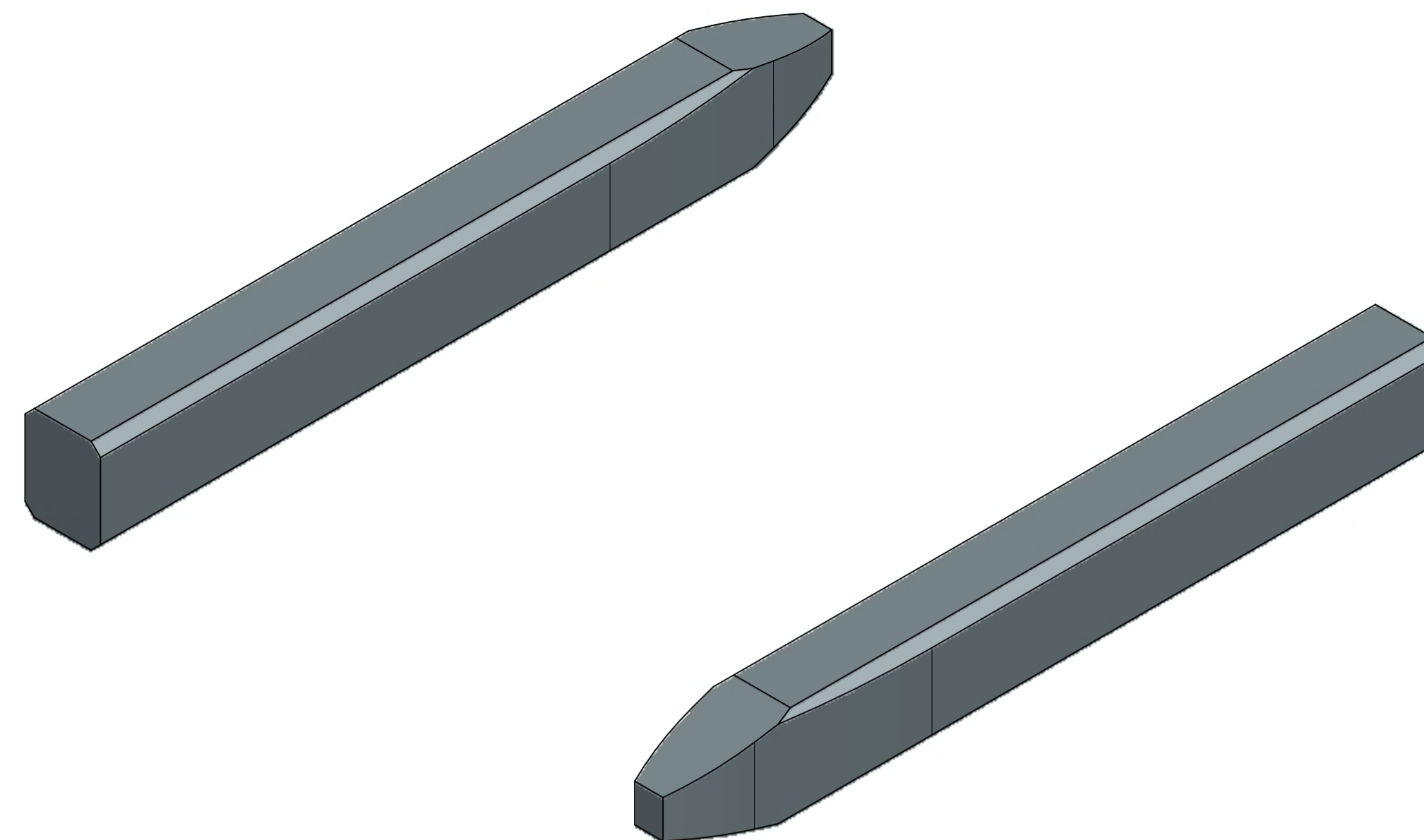
- 2.1. BASE MATERIAL TYPE : COPPER ALLOY

3. DESIGN - GEOMETRY:

- 3.1. THE 3-D CAD DATA IS BASIC (WITHOUT TOLERANCE) AND MASTER FOR THIS PART WITH EXCEPTION TO UNDERLINED DIMENSIONS. DIMENSIONAL INFORMATION NOT SHOWN ON THIS DRAWING IS DEFINED BY THE DATA FILE AT ITS LATEST REVISION.
- 3.2. PRODUCT DESIGN MODEL NUMBER(S): SEE BOM TABLE
- 3.3. GEOMETRIC DIMENSIONS AND TOLERANCES PER ASME Y14.5-2009
- 3.4. EDGES OF UNDEFINED SHAPE PER ISO 13715.
- 3.5. DIMENSIONS AND TOLERANCES APPLY BEFORE AND AFTER PLATING.
- 3.6. GENERAL TOLERANCES: SEE TITLE BLOCK

4. DESIGN - MANUFACTURING:

- 4.1. ANY REMAINING PROCESS LUBRICANT MUST NOT VARNISH OR DEGRADE ELECTRICAL PERFORMANCE. PROCESS LUBRICANTS SHOULD BE APPROVED BY THE RESPONSIBLE ENGINEER.
- 4.2. ALLOWABLE BURR: 0.03mm MAX UNLESS OTHERWISE SPECIFIED
- 4.3. FOR UNPLATES BLADES - TOOLING MARKS SPANNING ACROSS OR ALONG THE INTERFACING PROFILE OF THE BLADE SHOULD BE FURTHER INSPECTED. A TOOLING MARK DEEPER THAN 1 MICRON SHOULD NOT BE ACCEPTED.



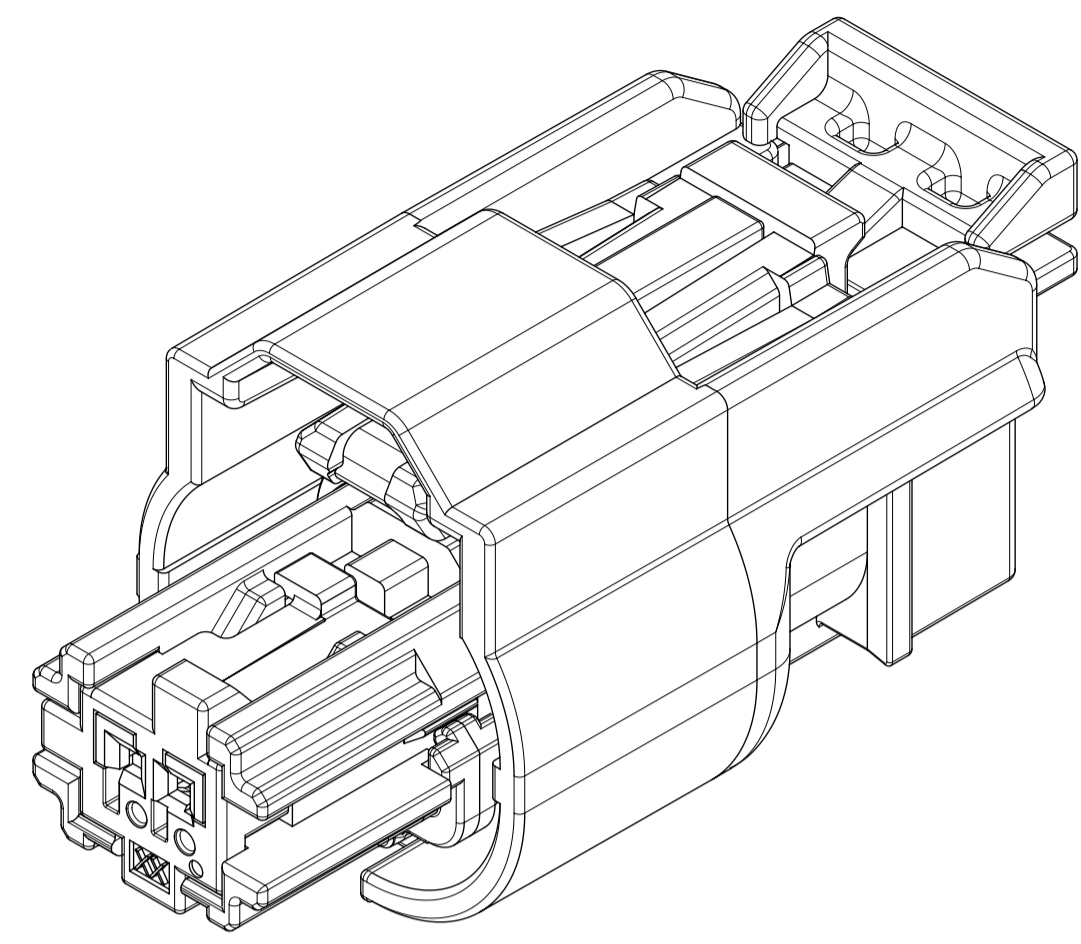
SCALE 50:1

0.5 MM PIN VIEW SHOWN FOR REPRESENTATION PURPOSES ONLY

FUNCTIONAL SYMBOLS	THIS DRAWING CONTAINS INFORMATION THAT IS PROPRIETARY TO MOLEX ELECTRONIC TECHNOLOGIES, LLC AND SHOULD NOT BE USED WITHOUT WRITTEN PERMISSION		
	DIMENSION UNITS	SCALE	CURRENT REV DESC:
$\frac{F}{A} = 0$	mm	50:1	PHASE: Design Production EC NO: CO-00000508 DRWN: Raghavendra MV CHK'D: Nathan Song APPR: Deepak Patil
$\frac{F}{C} = 0$	GENERAL TOLERANCES (UNLESS SPECIFIED)		
$\frac{F}{P} = 0$	ANGULAR TOL ± 0.5°		2022-01-31
DIVISIONAL SYMBOLS	4 PLACES	± 0.00000	2022-02-07
	3 PLACES	± 0.0150	2022-02-09
	2 PLACES	± 0.050	
	1 PLACE	± 0.10	
	0 PLACES	± 0.00	
	DRAFT WHERE APPLICABLE MUST REMAIN WITHIN DIMENSIONS		INITIAL REVISION: DRWN: Raghavendra MV APPR: Deepak Patil
	THIRD ANGLE PROJECTION	DRAWING	2022-01-31 2022-02-09
		A1-SIZE	2022-01-31 2022-02-09
		SERIES	34735
		MATERIAL NUMBER	347350050
		CUSTOMER	PSD 000 A21
		SHEET NUMBER	1 OF 2

TABLE OF CONTENTS	
SHEET NO.	SHEET DESCRIPTION
1	NOTES AND BOM
2	CONFIGURATIONS
3	RECEPTACLE CONNECTOR ASSEMBLY

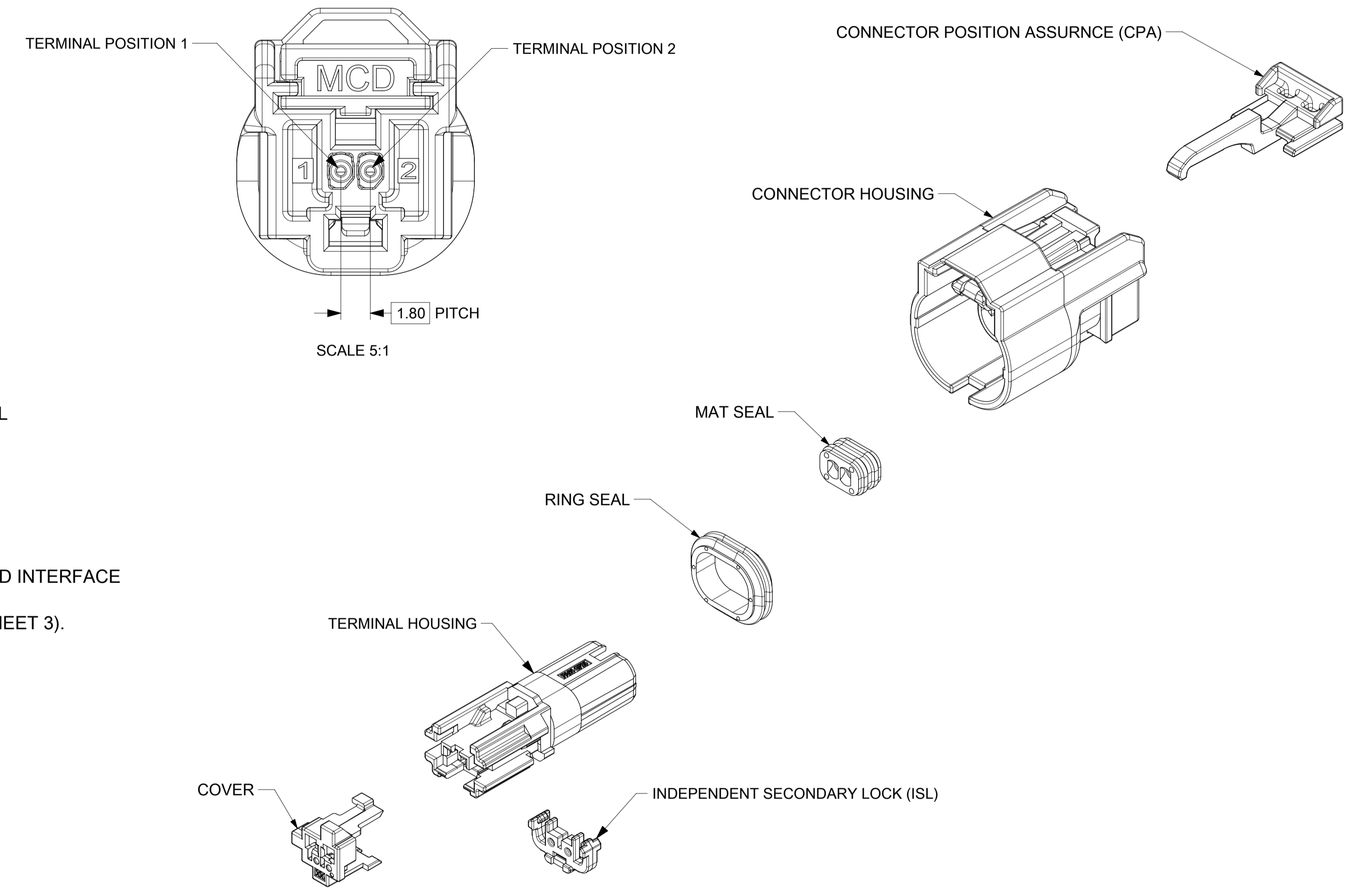
PART NUMBER AND MATING INTERFACE CHART					
PART NUMBER	KEY	COVER COLOR	CPA INCLUDED	INTERFACE PART NUMBER	
349672001	A	BLACK	YES	349682801	
349672002	B	LIGHT GRAY	YES	349682802	
349672003	C	DARK GRAY	YES	349682803	
349672004	D	STONE GRAY	YES	349682804	
349672005	A	BLACK	NO	349682801	
349672006	B	LIGHT GRAY	NO	349682802	
349672007	C	DARK GRAY	NO	349682803	
349672008	D	STONE GRAY	NO	349682804	



SCALE 5:1

NOTES: VALID UNLESS OTHERWISE SPECIFIED

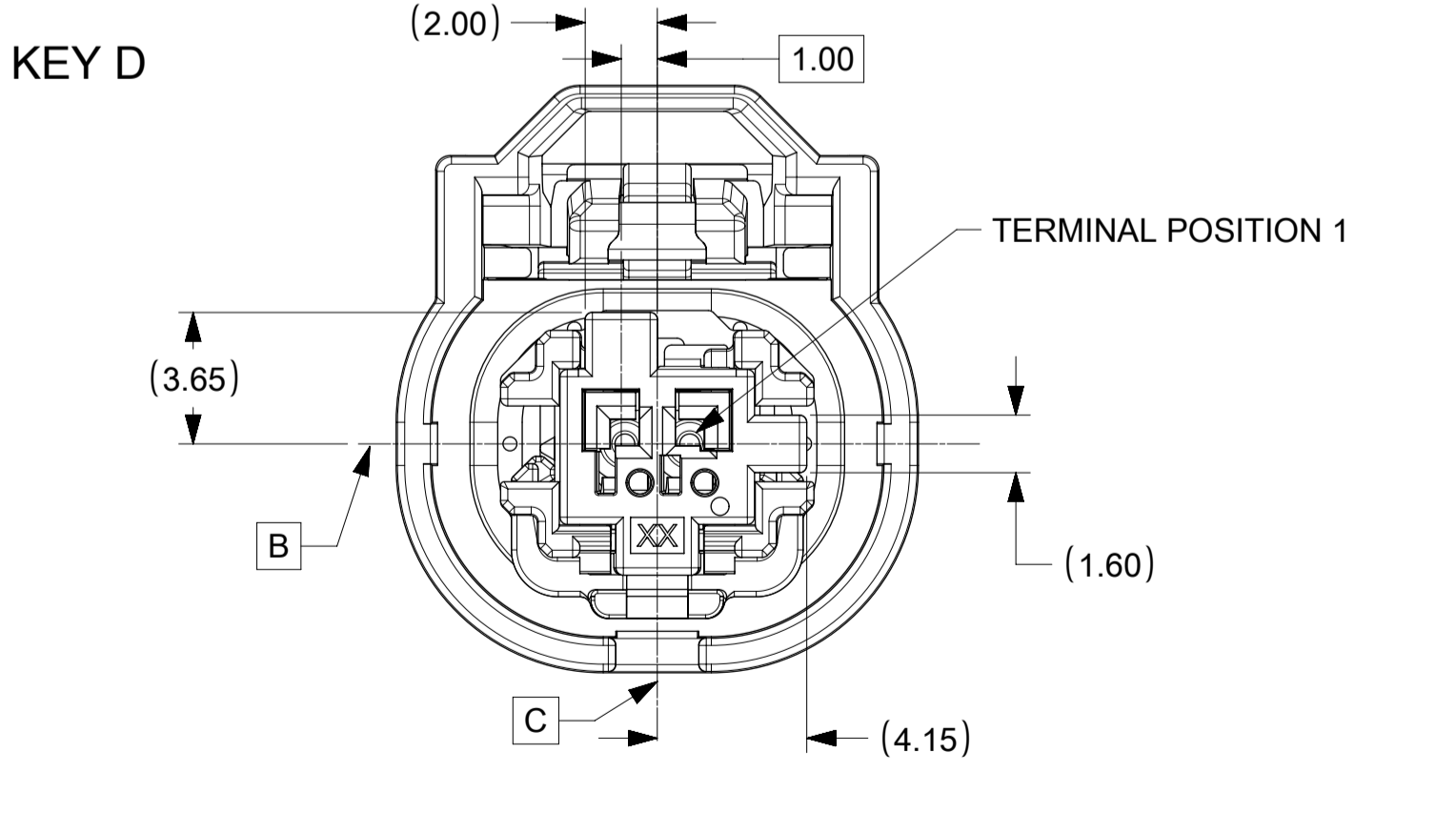
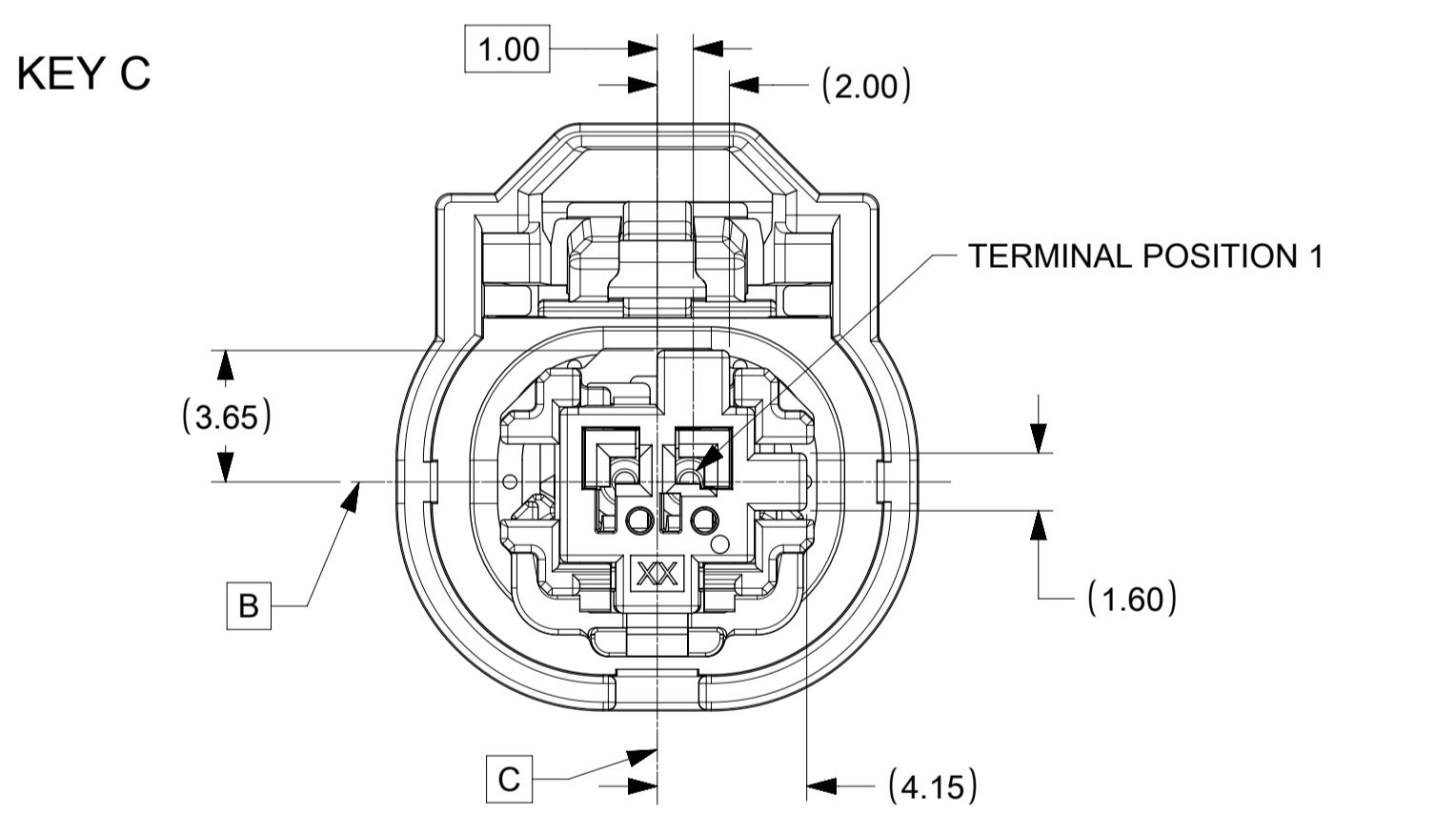
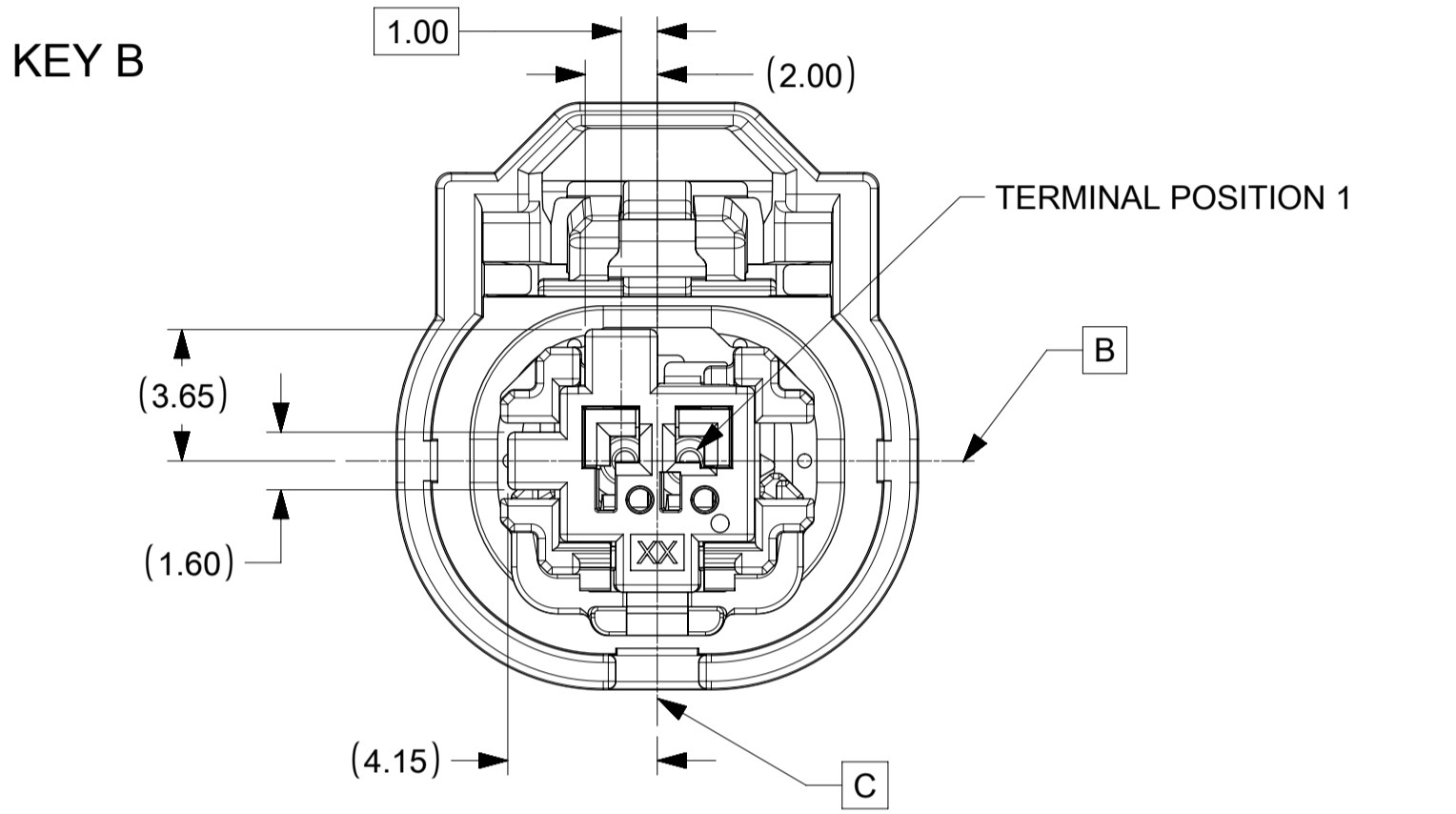
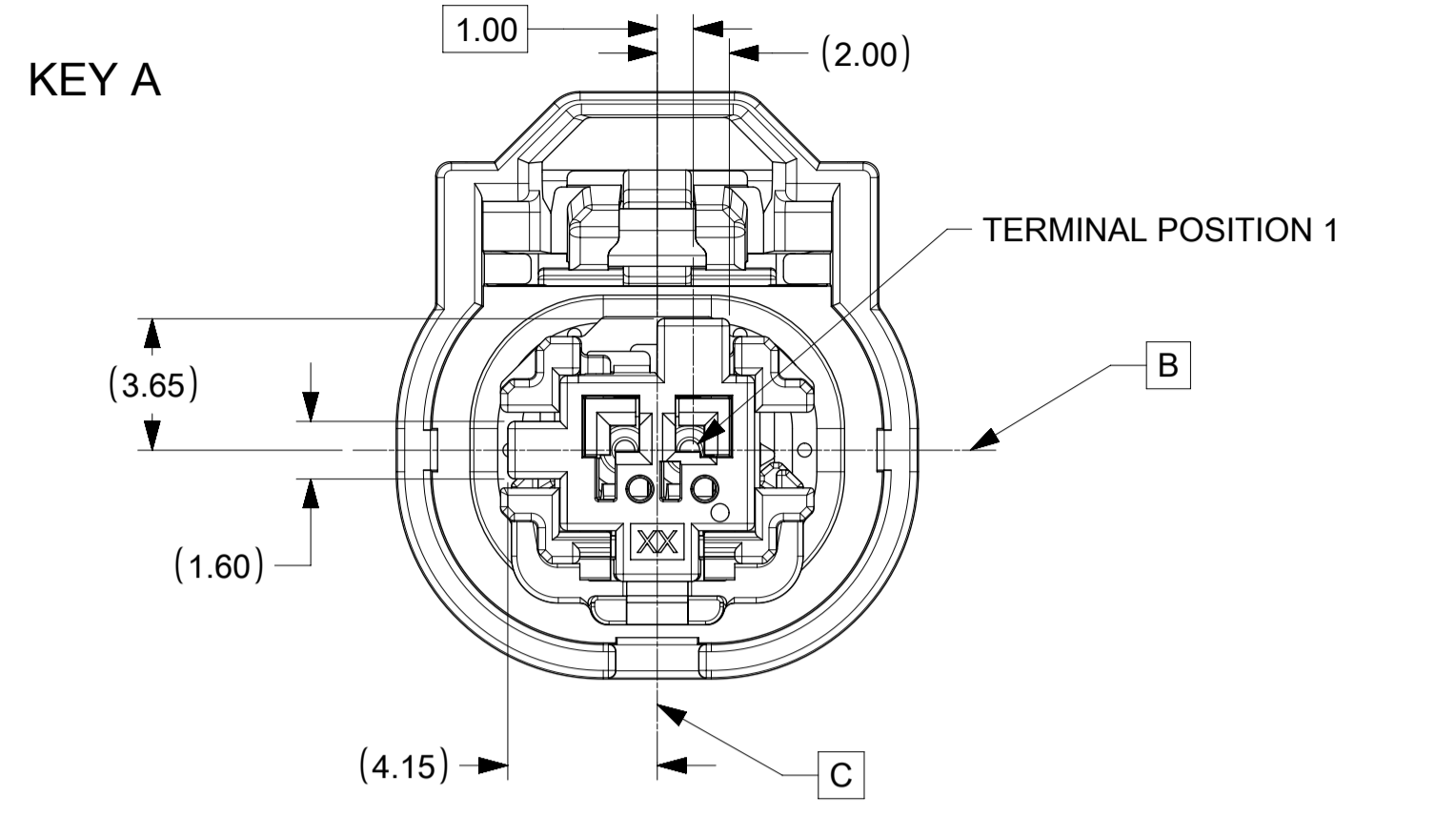
- 1. GENERAL:**
- A. APPLICATION SPECIFICATION SEE: AS-34894-0001  
-CONTAINS: PRODUCT INTRODUCTION, PRODUCT SUMMARY, CONNECTOR ASSEMBLY, PACKAGING INFORMATION, CONNECTOR MATING, SERVICE INSTRUCTIONS, ELECTRICAL CONTINUITY CHECKING, CRIMPING, AND TROUBLESHOOTING.
  - B. TERMINALS TO BE USED WITH THIS ASSEMBLY:  
MOLEX CTX50 SEALED RECEPTACLE TERMINALS  
FOR INFORMATION ON TERMINALS SEE MOLEX DRAWING 349050400 AND TERMINAL PRODUCT SPECIFICATION PS-34905-001.
  - C. CONNECTOR PRODUCT SPECIFICATION SEE 349670001 PS  
CONTAINS: PRODUCT INTRODUCTION, PRODUCT SUMMARY, RATINGS AND PRODUCT VALIDATION.  
VALIDATED TO USCAR 2 REV 6.  
RATINGS: T3 V1 S2
  - D. DESIGNED TO MATE WITH DEVICE INTERFACE AS SPECIFIED IN PART NUMBER AND INTERFACE CHART. SEE MOLEX DRAWING 349682800 FOR INTERFACE SPECIFICATION.
  - E. ASSEMBLY SHIPPED WITH ISL IN PRE-LOCK POSITION (SEE ISL PRE-LOCK VIEW SHEET 3).
  - F. PACKAGING SPECIFICATION PER MOLEX DRAWING: PK-31301-898
  - G. PARTS MUST BE IN COMPLIANCE TO MOLEX CHEMICAL SUBSTANCES FOR PRODUCTS AND PACKAGING SPECIFICATION: ES-40000-5016
  - H. DATA MUST BE SUBMITTED UNDER THE MOLEX PART NUMBER TO IMDS (COMPANY ID#13255)
- 2. DESIGN - MATERIALS:**
- CONNECTOR HOUSING: PA66, GF35, BLACK
  - TERMINAL HOUSING: PA66, GF35, BLACK
  - COVER: PA66, GF35, COLORS IN PART NUMBER CHART
  - ISL: SPS, GF30, NATURAL
  - MAT SEAL: INHERENTLY LUBRICATED SILICONE, ROYAL BLUE
  - RING SEAL: INHERENTLY LUBRICATED SILICONE, ROYAL BLUE
  - CPA (OPTIONAL): PBT, GF30, RED
- 3. DESIGN - GEOMETRY:**
- A. ALL GRAPHIC DATA IS BASIC (NO TOLERANCE) AND MUST BE TAKEN FROM THE DATA FILE AT ITS LATEST REVISION.
  - B. GEOMETRIC DIMENSIONS AND TOLERANCES PER ASME Y14.5-2009
  - C. EDGES AND UNDIMENSIONED DETAILS PER ISO13715
  - D. CORNERS SHOWN AS SHARP TO BE R 0.2 MAX.
  - E. LETTERING SHALL BE 0.15 MAX RAISED IN 0.25 MAX RECESS PAD.  
THIS INCLUDES RECYCLING CODE, CAVITY ID, VENDOR IDENTIFICATION, AND CUSTOMER MATERIAL NUMBER.
  - F. VISUAL DEFECTS SHALL MEET COSMETIC STANDARD PS-45499-002 (Class B).
  - G. PARTS ARE LASER MARKED WITH PART NUMBER AND DATE CODE



SYMBOLS	THIS DRAWING CONTAINS INFORMATION THAT IS PROPRIETARY TO MOLEX ELECTRONIC TECHNOLOGIES, LLC AND SHOULD NOT BE USED WITHOUT WRITTEN PERMISSION		CURRENT REV DESC: REMOVED DEVELOPMENT NOTICE		<b>molex</b>		
	DIMENSION UNITS	SCALE					
▽ = 0	mm	3:1	EC NO: 612798		PRODUCT CUSTOMER DRAWING		
▽ = 0	GENERAL TOLERANCES (UNLESS SPECIFIED)		DRWN: MLI149	2019/02/25	DOCUMENT NUMBER		
▽ = 0	ANGULAR TOL ± 3.0°		CHK'D: JCONDON	2019/02/28	DOC TYPE   DOC PART   REVISION		
▽ = 0	4 PLACES	±	APPR: JCONDON	2019/02/28	349672000		
▽ = 0	3 PLACES	±	INITIAL REVISION:		PSD   000   A2		
▽ = 0	2 PLACES	± 0.1	DRWN: MLI149		MATERIAL NUMBER		
▽ = 0	1 PLACE	± 0.2	APPR: JCONDON		CUSTOMER		
▽ = 0	0 PLACES	±	2017/05/10		SEE CHART		
▽ = 0	DRAFT WHERE APPLICABLE MUST REMAIN WITHIN DIMENSIONS		2017/09/13		SHEET NUMBER		
▽ = 0	THIRD ANGLE PROJECTION		DRAWING	SERIES	1 OF 3		
▽ = 0			A1-SIZE	34967			

SHEET DESCRIPTION

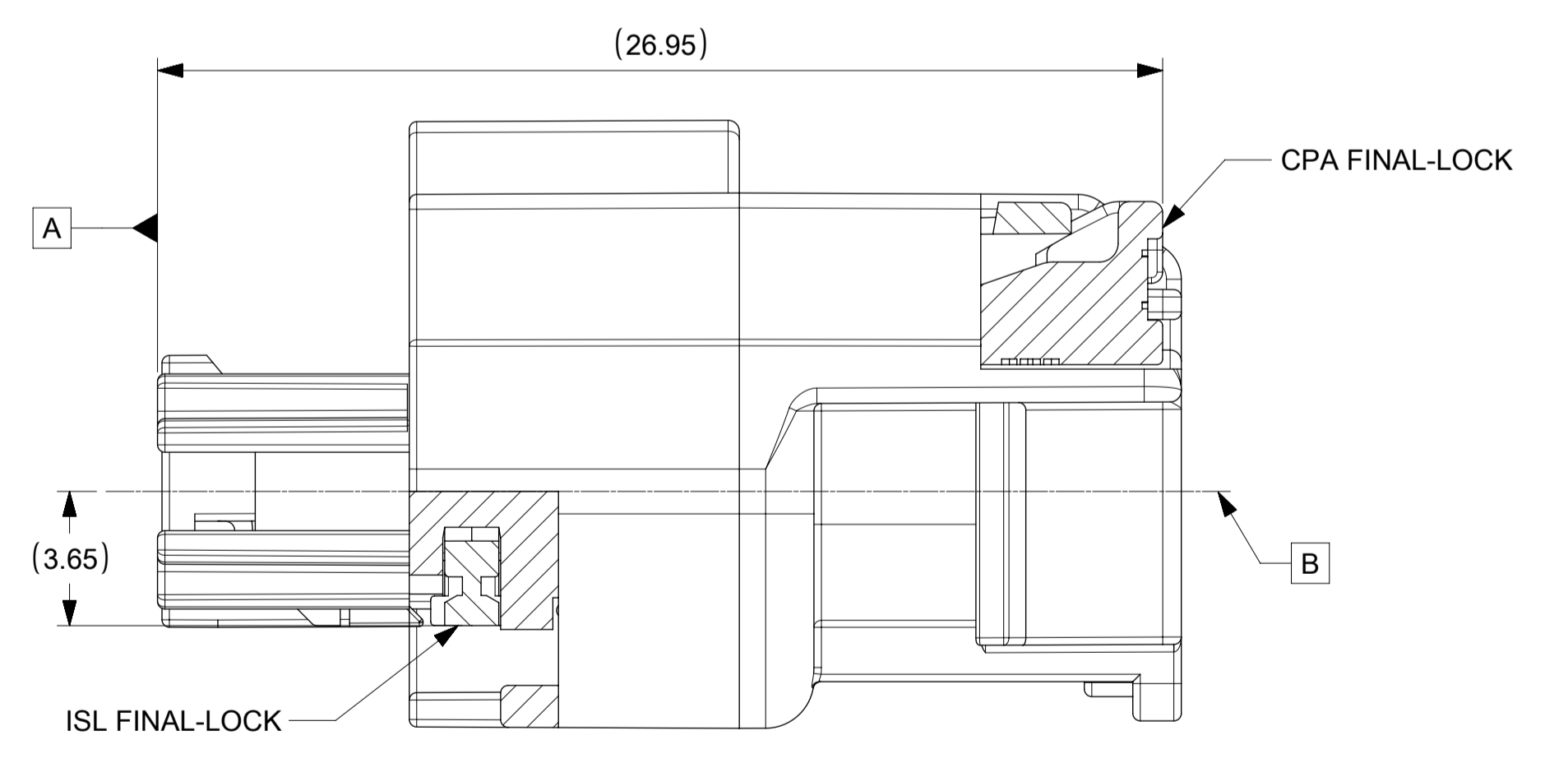
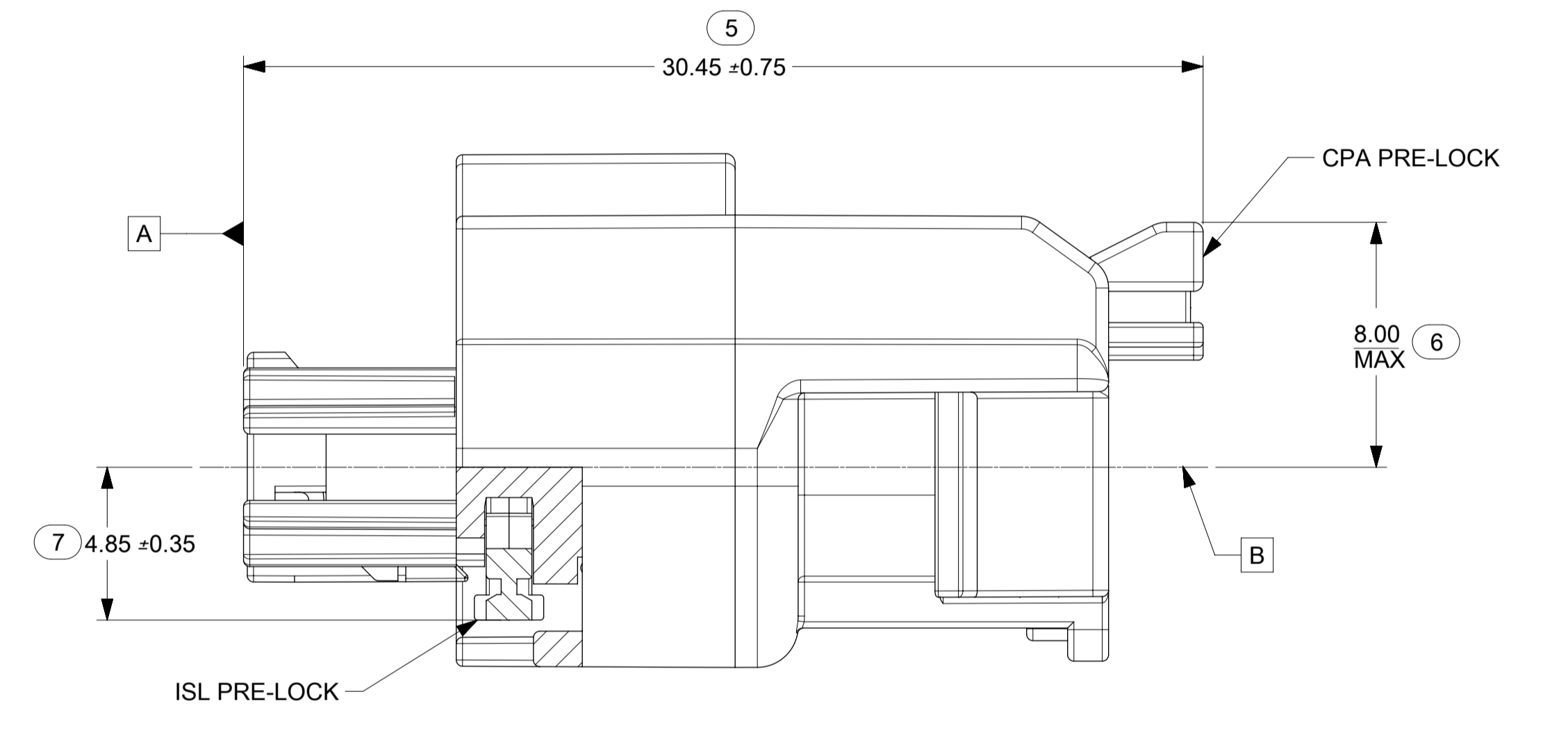
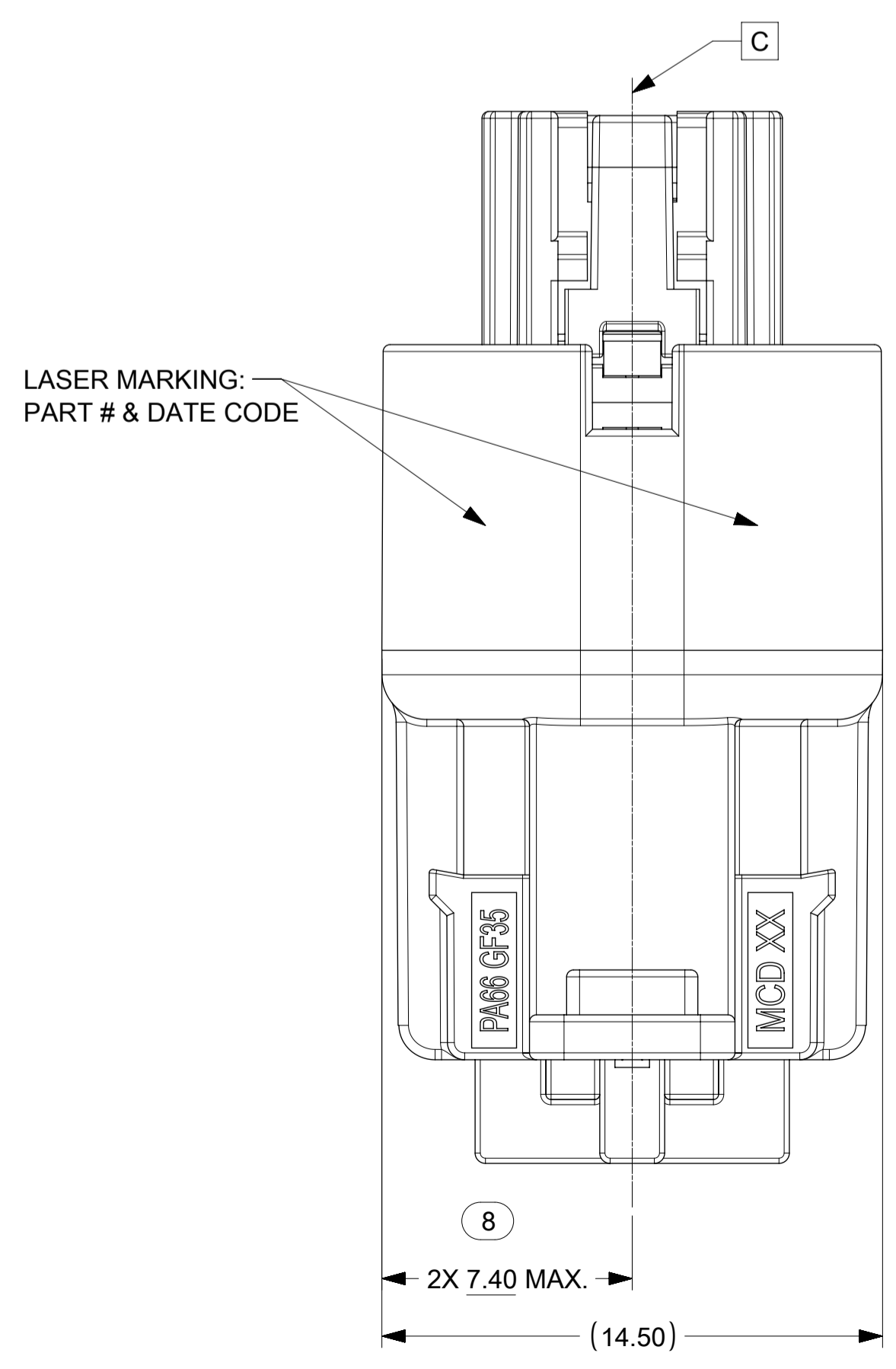
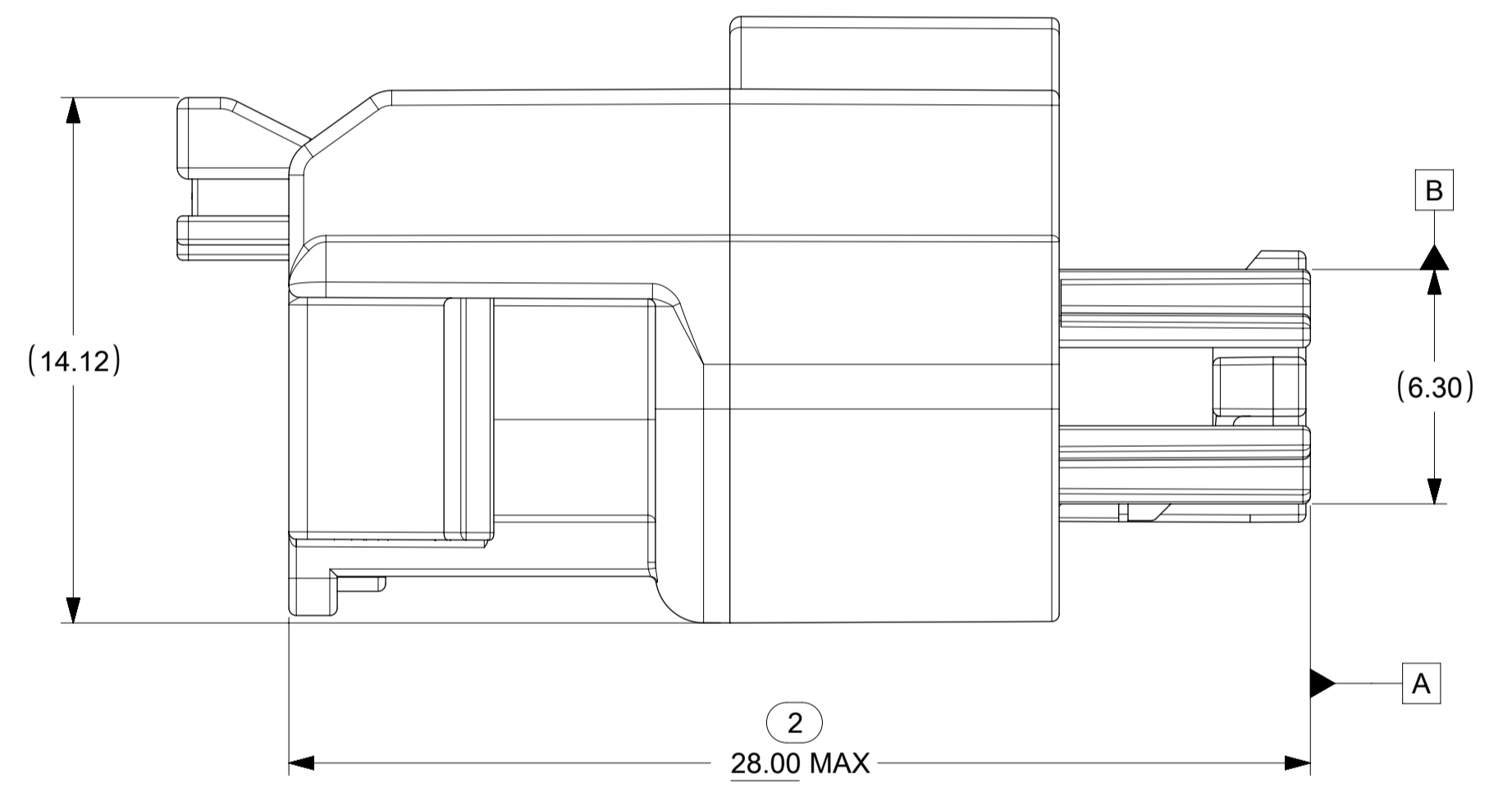
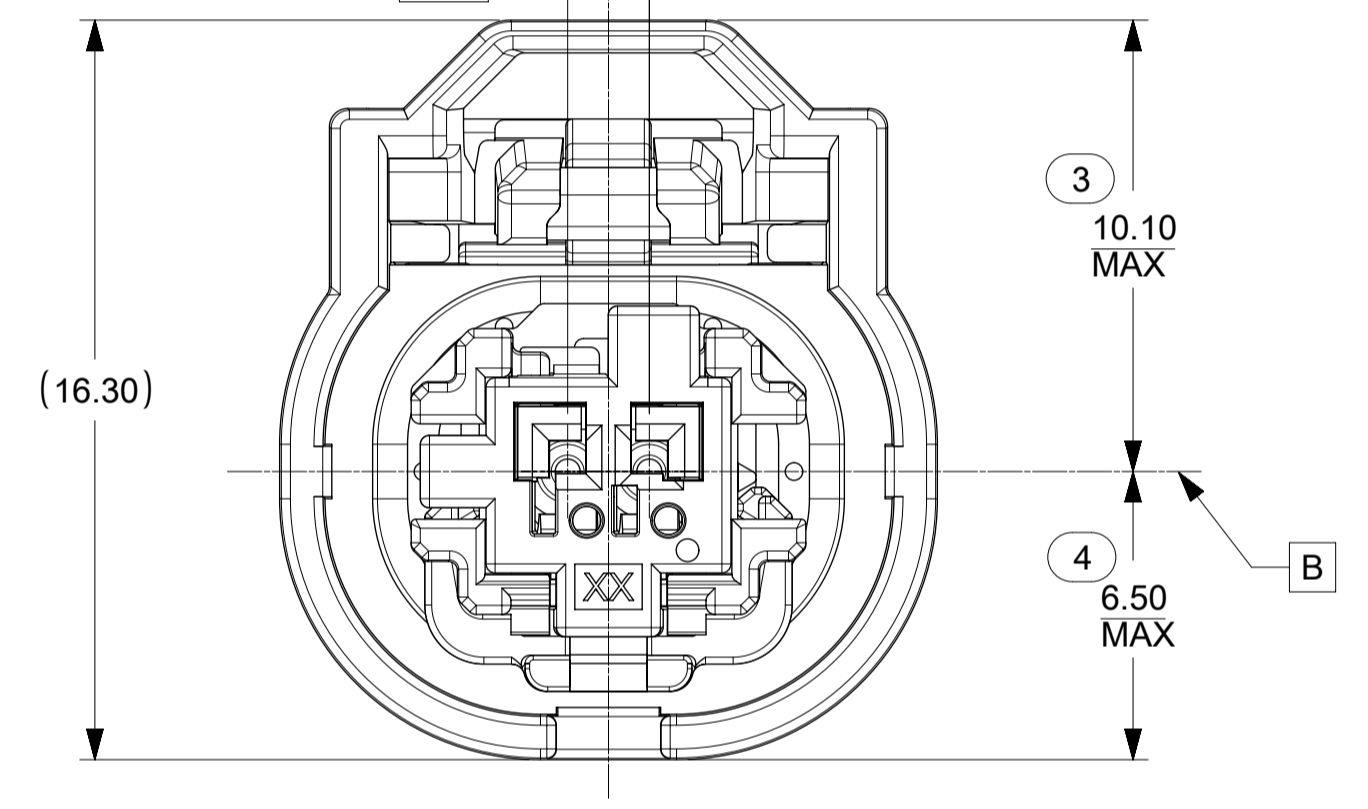
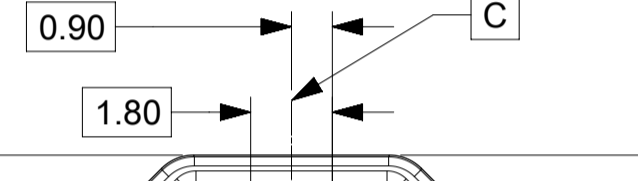
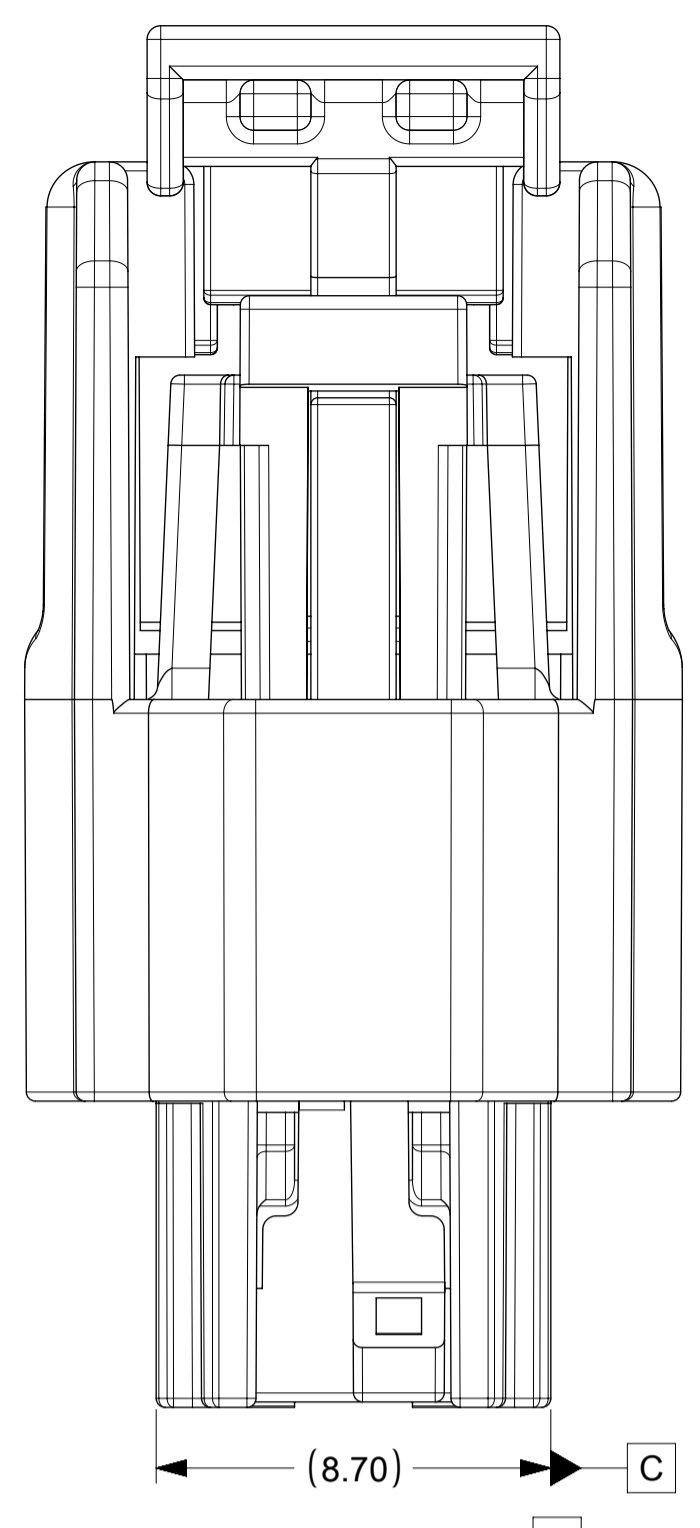
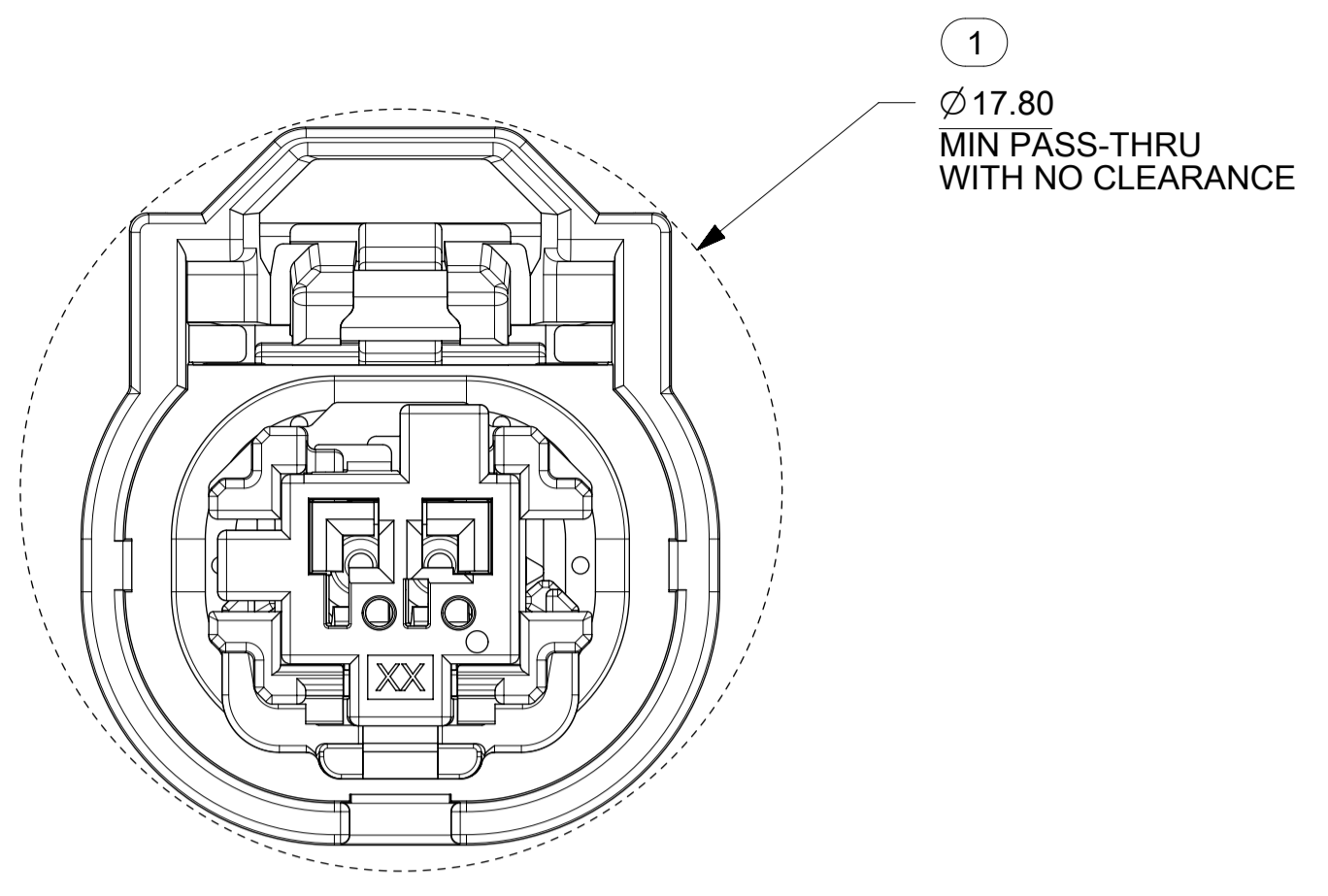
KEY CONFIGURATIONS



SYMBOLS	THIS DRAWING CONTAINS INFORMATION THAT IS PROPRIETARY TO MOLEX ELECTRONIC TECHNOLOGIES, LLC AND SHOULD NOT BE USED WITHOUT WRITTEN PERMISSION		
	DIMENSION UNITS	SCALE	CURRENT REV DESC: REMOVED DEVELOPMENT NOTICE
▽ = 0	mm	5:1	<p><b>molex</b></p> <p>MINI50 SEALED 1X2 RCPT ASSY</p> <p>PRODUCT CUSTOMER DRAWING</p>
▽ = 0	GENERAL TOLERANCES (UNLESS SPECIFIED)		
▽ = 0	ANGULAR TOL ± 3.0°		
▽ = 0	4 PLACES ±	EC NO: 612798	
▽ = 0	3 PLACES ±	DRWN: MLI149 2019/02/25	
▽ = 0	2 PLACES ± 0.1	CHK'D: JCONDON 2019/02/28	
▽ = 0	1 PLACE ± 0.2	APPR: JCONDON 2019/02/28	
▽ = 0	0 PLACES ±	INITIAL REVISION:	
⊠ = 0	DRAFT WHERE APPLICABLE MUST REMAIN WITHIN DIMENSIONS		<p>DOCUMENT NUMBER</p> <p><b>349672000</b></p>
⊠ = 0	THIRD ANGLE PROJECTION	DRAWING	DOC TYPE   DOC PART   REVISION
		A1-SIZE	PSD   000   A2
		SERIES	MATERIAL NUMBER   CUSTOMER   SHEET NUMBER
		34967	SEE CHART     2 OF 3

DOCUMENT STATUS	P1	RELEASE DATE	2019/02/28 21:35:58
-----------------	----	--------------	---------------------

**SHEET DESCRIPTION**  
RECEPTACLE CONNECTOR ASSEMBLY



<b>SYMBOLS</b>	THIS DRAWING CONTAINS INFORMATION THAT IS PROPRIETARY TO MOLEX ELECTRONIC TECHNOLOGIES, LLC AND SHOULD NOT BE USED WITHOUT WRITTEN PERMISSION		 MINI50 SEALED 1X2 RCPT ASSY		
	DIMENSION UNITS	SCALE			
▽ = 0	mm	6:1	EC NO: 612798		
▽ = 0	GENERAL TOLERANCES (UNLESS SPECIFIED)		DRWN: MLI149	2019/02/25	PRODUCT CUSTOMER DRAWING DOCUMENT NUMBER: 349672000 DOC TYPE: PSD DOC PART: 000 REVISION: A2
▽ = 0	ANGULAR TOL ± 3.0°		CHK'D: JCONDON	2019/02/28	
▽ = 0	4 PLACES ±		APPR: JCONDON	2019/02/28	INITIAL REVISION: DRWN: MLI149 2017/05/10 APPR: JCONDON 2017/09/13
▽ = 0	3 PLACES ±		MATERIAL NUMBER: 34967		
▽ = 0	2 PLACES ± 0.1		CUSTOMER: SEE CHART		SHEET NUMBER: 3 OF 3
▽ = 0	1 PLACE ± 0.2		SERIES: A1-SIZE		
▽ = 0	0 PLACES ±		DRAWING: A1-SIZE		
▽ = 0	DRAFT WHERE APPLICABLE MUST REMAIN WITHIN DIMENSIONS		THIRD ANGLE PROJECTION		

TABLE OF CONTENTS	
SHEET NO.	SHEET DESCRIPTION
1	INTERFACE NOTES AND BOM
2	INTERFACE KEY CONFIGURATIONS
3	INTERFACE DEFINITION
4	INTERFACE DATUM TARGETS

MATING INTERFACE CHART			
DESCRIPTION	COLOR	MODEL NUMBER	KEY
1X2, KEY A, BLACK	BLACK	349682801	A
1X2, KEY B, LIGHT GRAY	LIGHT GRAY	349682802	B
1X2, KEY C, DARK GRAY	DARK GRAY	349682803	C
1X2, KEY D, STONE GRAY	STONE GRAY	349682804	D

NOTES: VALID UNLESS OTHERWISE SPECIFIED

1. GENERAL:

REFER TO "SAE/USCAR 12 CONNECTOR GUIDELINES" AND "SAE/USCAR 2 PERFORMANCE SPECIFICATION FOR AUTOMOTIVE ELECTRICAL CONNECTOR SYSTEMS" FOR ADDITIONAL REQUIREMENTS.

2. DESIGN - MATERIALS:

- a. HOUSING: SPS/NYLON 20% GLASS FILLED OR EQUIVALENT  
FLAMMABILITY REQUIREMENT: PER ISO3795 OR GMW3191
  - 1. BURN RATE 100mm/MIN MAXIMUM
  - 2. MATERIAL MUST BE SELF EXTINGUISHING
- b. BLADE TERMINAL: SEE MOLEX SALES DRAWING 347350050. FOR MATERIAL, DIMENSIONAL, PLATING AND COATING REQUIREMENTS AND ANY BLADE TERMINAL DESIGN INFORMATION NOT SHOWN ON REFERENCED OR THIS DRAWING SEE EWCAP DWG NO. EWCAP-001.
  - 1. TIN PLATING: 2.5-4.0 MICROMETERS MATTE TIN OVER 1.25-2.25 MICROMETERS DUCTILE SULFAMATE NICKEL
  - 2. SILVER PLATING: 1.9-3.3 MICROMETERS SILVER OVER 1.0-1.8 MICROMETERS DUCTILE SULFAMATE NICKEL.  
ANTI-TARNISH: SYNTHETIC HYDROCARBON CONTACT SURFACE FINISH OR EQUIVALENT APPLIED WITHOUT VOID TO CONTACT AREA

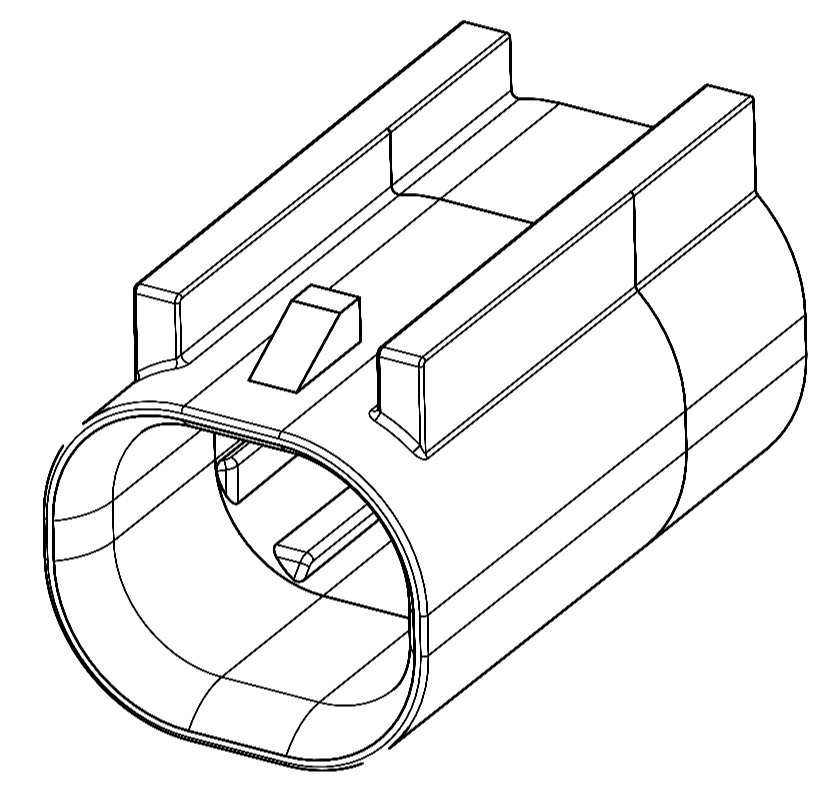
c. STANDARD COLORS FOR KEYING (SEE CHART). DEVIATION REQUIRES APPROVAL OF AUTHORIZED PERSON.

3. DESIGN - GEOMETRY:

- a. THE 3-D CAD DATA IS BASIC (WITHOUT TOLERANCE) AND THE MASTER FOR THIS PART WITH THE EXCEPTION OF UNDERLINED DIMENSIONS. DIMENSIONAL INFORMATION NOT SHOWN IN THIS DRAWING IS DEFINED BY THE DATA FILE AT ITS LATEST REVISION.
- b. PRODUCT DESIGN MODEL NUMBER(S): SEE MATING INTERFACE CHART
- c. GEOMETRIC DIMENSIONS AND TOLERANCES PER ASME Y14.5-2009
- d. GENERAL TOLERANCES: SEE TITLE BLOCK
- e. EDGES AND UNDIMENSIONED DETAILS PER ISO13715
- f. CORNERS SHOWN AS SHARP TO BE R0.2 MAX.
- g. LETTERING SHALL BE 0.15 MAX RAISED IN 0.25 MAX RECESS PAD.  
THIS INCLUDES RECYCLING CODE, CAVITY ID, VENDOR IDENTIFICATION, AND CUSTOMER MATERIAL NUMBER.  
(FOR SMALL PARTS: LETTERING SHALL BE 0.10 MAX RAISED IN 0.15 MAX RECESS PAD)

4. DESIGN - MANUFACTURING:

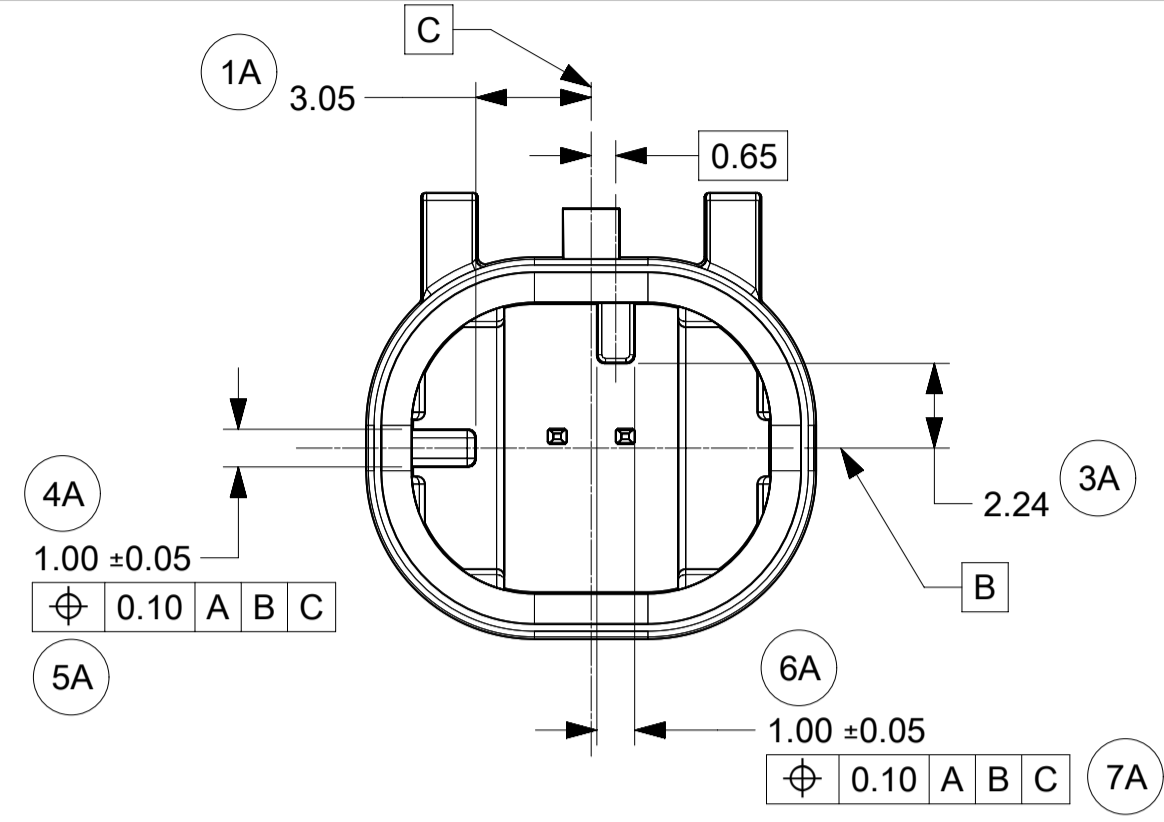
- a. ALLOWABLE FLASH MAX 0.20 HIGH BY MAX 0.13 THICK.
- b. ALLOWABLE SPLIT/PARTING LINE MISMATCH 0.2 MAX.
- c. EJECTOR PIN MARKS TO BE FLUSH TO 0.25 MAX DEPRESSED. LOCATION MUST BE APPROVED BY PRODUCT ENGINEERING. EJECTOR PIN MARKS NOT PERMISSIBLE ON OR NEAR DATUM TARGET AREA.
- d. ALLOWABLE GATE VESTIGE FLUSH TO 0.25 MAX RECESS. LOCATION MUST BE APPROVED BY PRODUCT ENGINEERING.
- e. NO EXTERNAL MOLD RELEASE AGENT ALLOWED DURING MANUFACTURING.
- f. NO PARTING LINES, MISMATCHES OR EJECTOR MARKS PERMISSIBLE WITHIN THE INDICATED SURFACE. TOOLING FOR INDICATED SURFACE MUST BE PROCESSED TO A SURFACE FINISH OF NTMA #70 (400 PAPER).
- g. BLADE TERMINAL ENVIRONMENTAL BARRIER (USED WITH SILVER PLATED TERMINALS) SHALL NOT BE PRESENT ON ANY SURFACE OTHER THAN THE BLADE TERMINALS
- h. NO PARTING LINES, FLASH, MISMATCHES OR EJECTOR MARKS PERMISSIBLE ON THE INDICATED NOSE SURFACE OR TRANSITION TO INTERNAL SHROUD SURFACE.



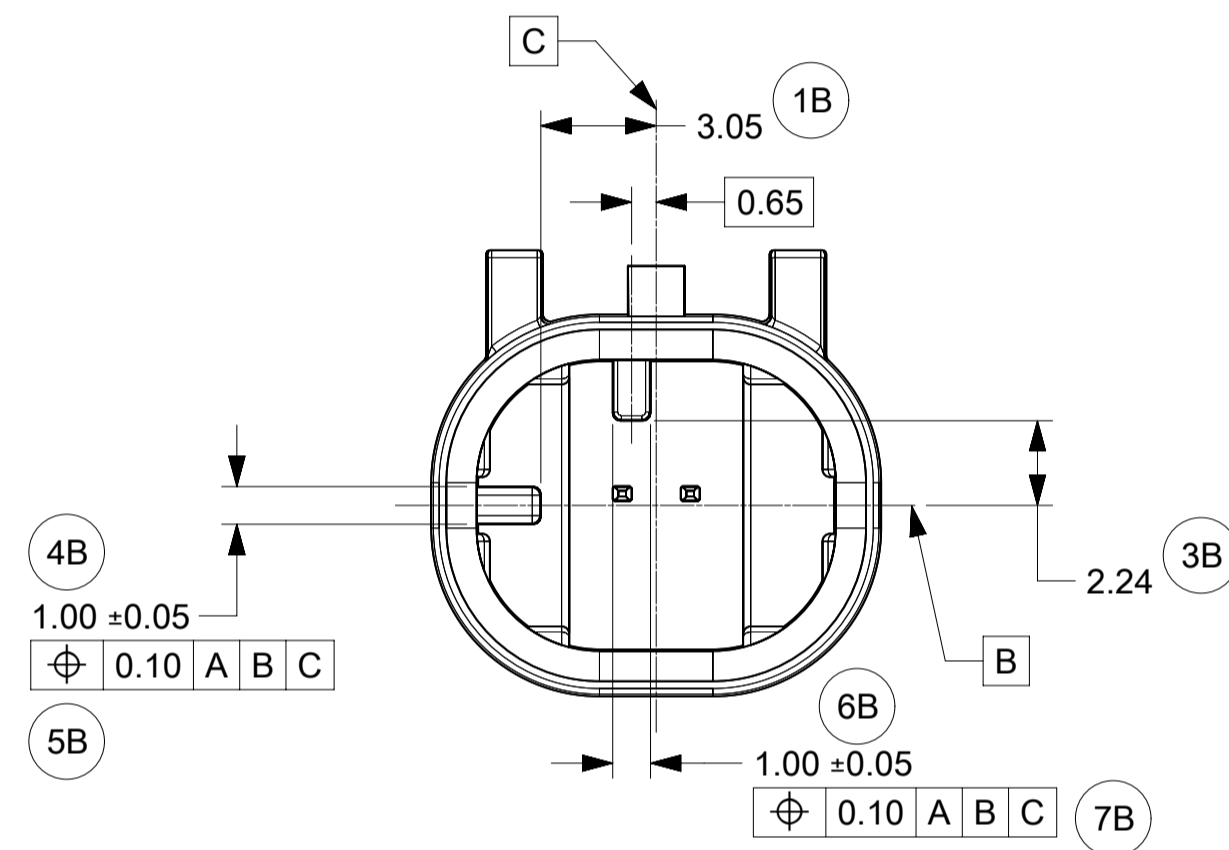
QUALITY SYMBOLS	THIS DRAWING CONTAINS INFORMATION THAT IS PROPRIETARY TO MOLEX ELECTRONIC TECHNOLOGIES, LLC AND SHOULD NOT BE USED WITHOUT WRITTEN PERMISSION									
	FA = 0 FE = 0 FE = 0 ▼ = 0 C = 0 ☒ = 0 ■ = 0 ▽ = 0	EC NO: 659036 DRWN: ML149 CHKD: JCONDON REV: APPR: JCONDON	2021/03/22 2021/03/24 2021/03/24	GENERAL TOLERANCES (UNLESS SPECIFIED) ANGULAR TOL ± 3.0 ° 4 PLACES ± 3 PLACES ± 2 PLACES ± 0.1 1 PLACE ± 0.2 0 PLACES ± DRAFT WHERE APPLICABLE MUST REMAIN WITHIN DIMENSIONS	DIMENSION UNITS: mm SCALE: 10:1 DRWN BY: ML149 DATE: 2017/05/08 CHK'D BY: JCONDON DATE: 2017/09/13 APPR BY: JCONDON DATE: 2017/09/13 DRAWING SIZE: A1 THIRD ANGLE PROJECTION			MINI50 SEALED 1X2 HEADER INTERFACE		PRODUCT CUSTOMER DRAWING
RELEASE STATUS: P1 RELEASE DATE: 2021/03/24 15:08:39		SERIES: 34968 MATERIAL NUMBER: SEE CHART CUSTOMER:		DOCUMENT NUMBER: 349682800 DOC TYPE: PSD DOC PART: 000 SHEET NUMBER: 1 OF 4						

SHEET DESCRIPTION  
KEY CONFIGURATIONS

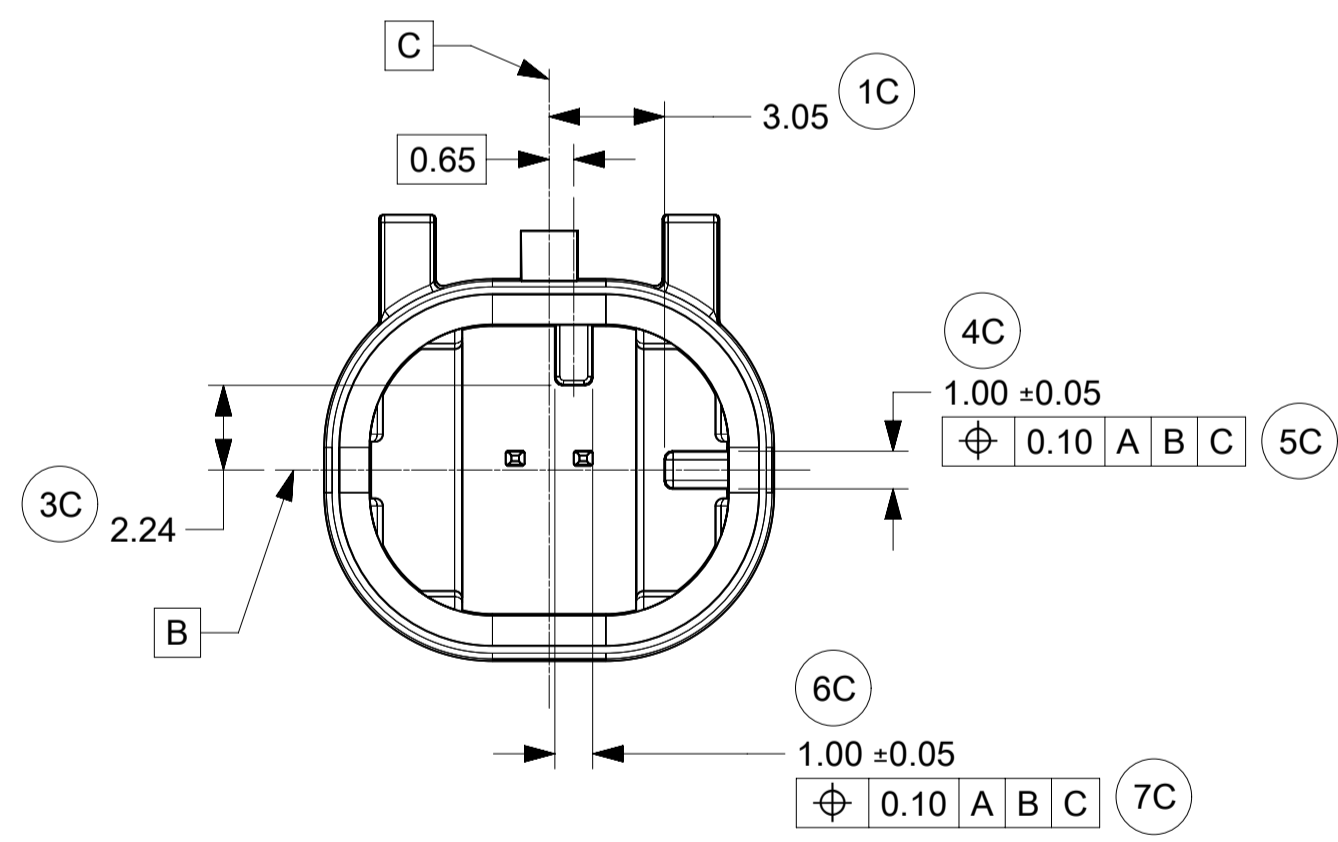
1X2



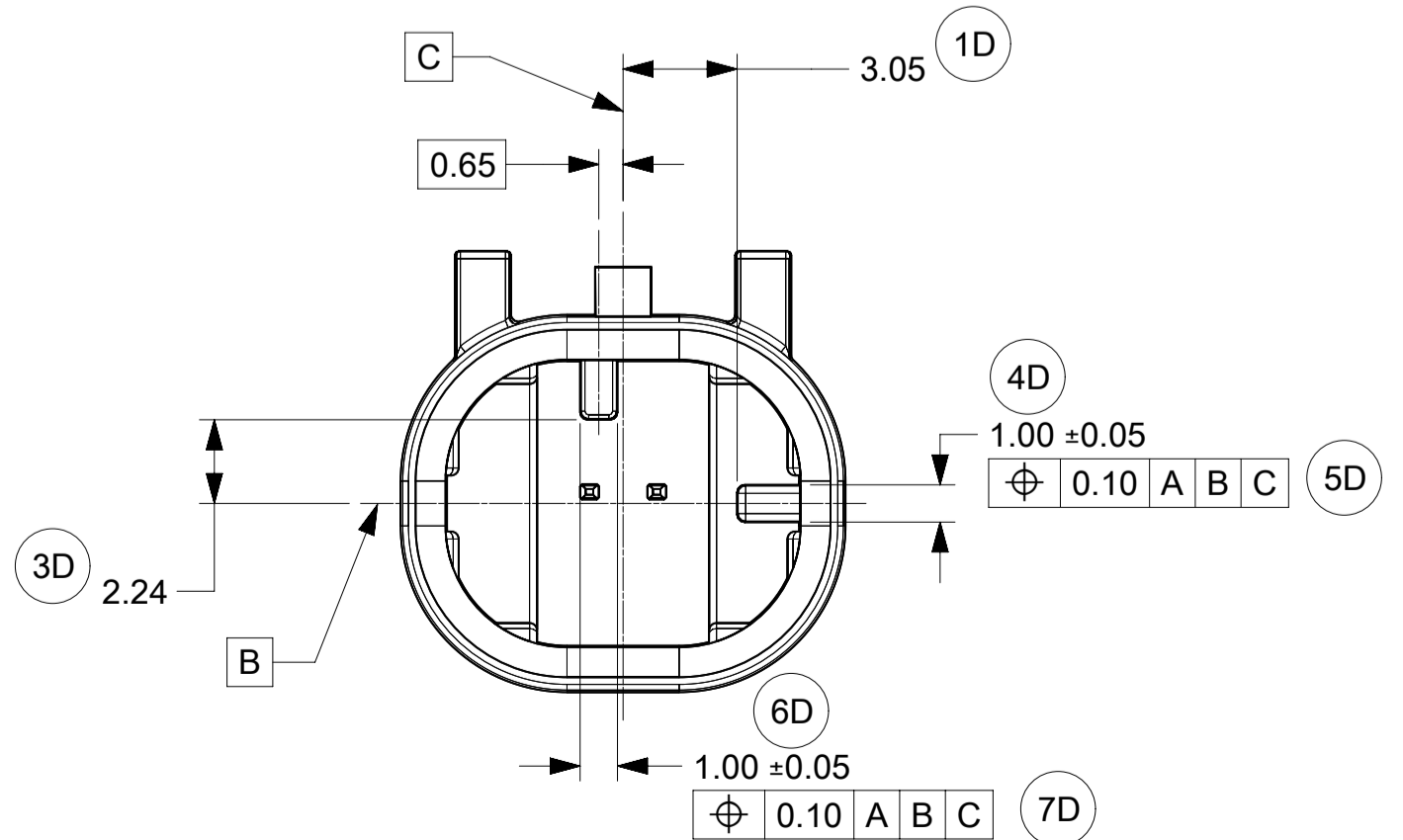
KEY OPTION A



KEY OPTION B

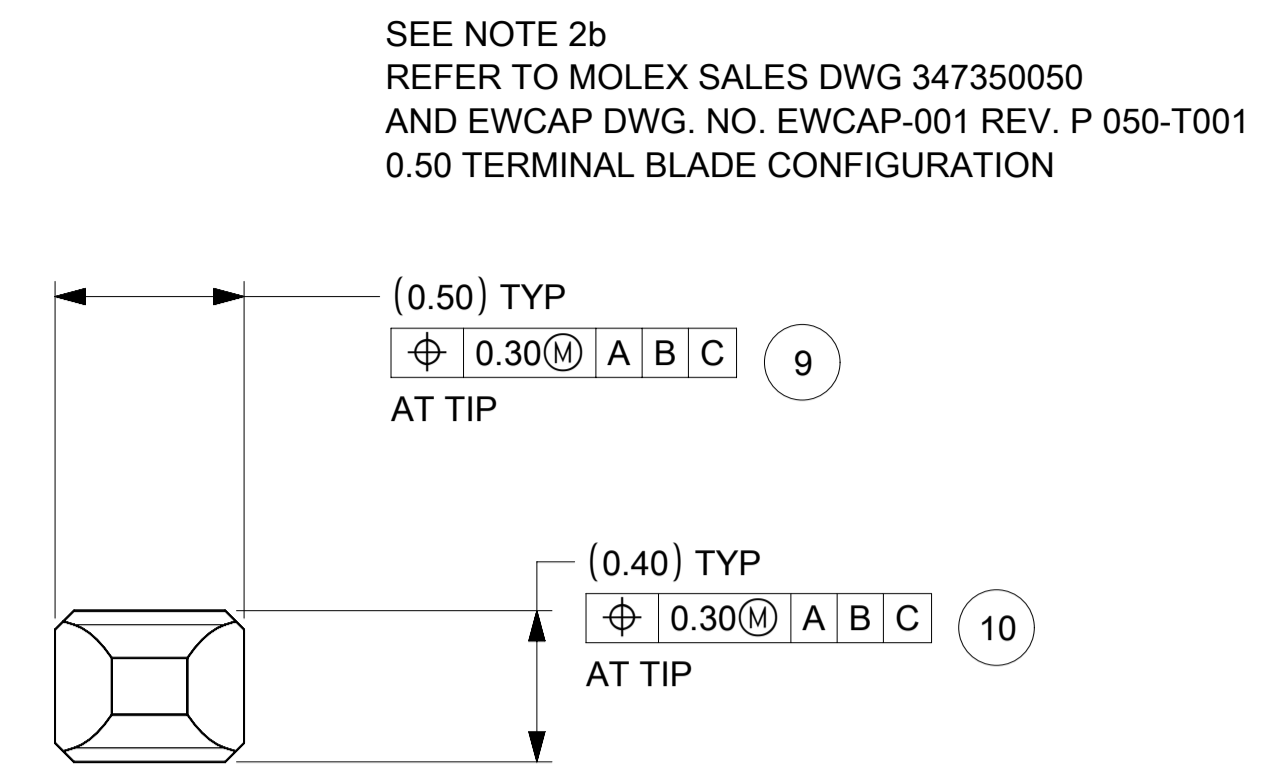
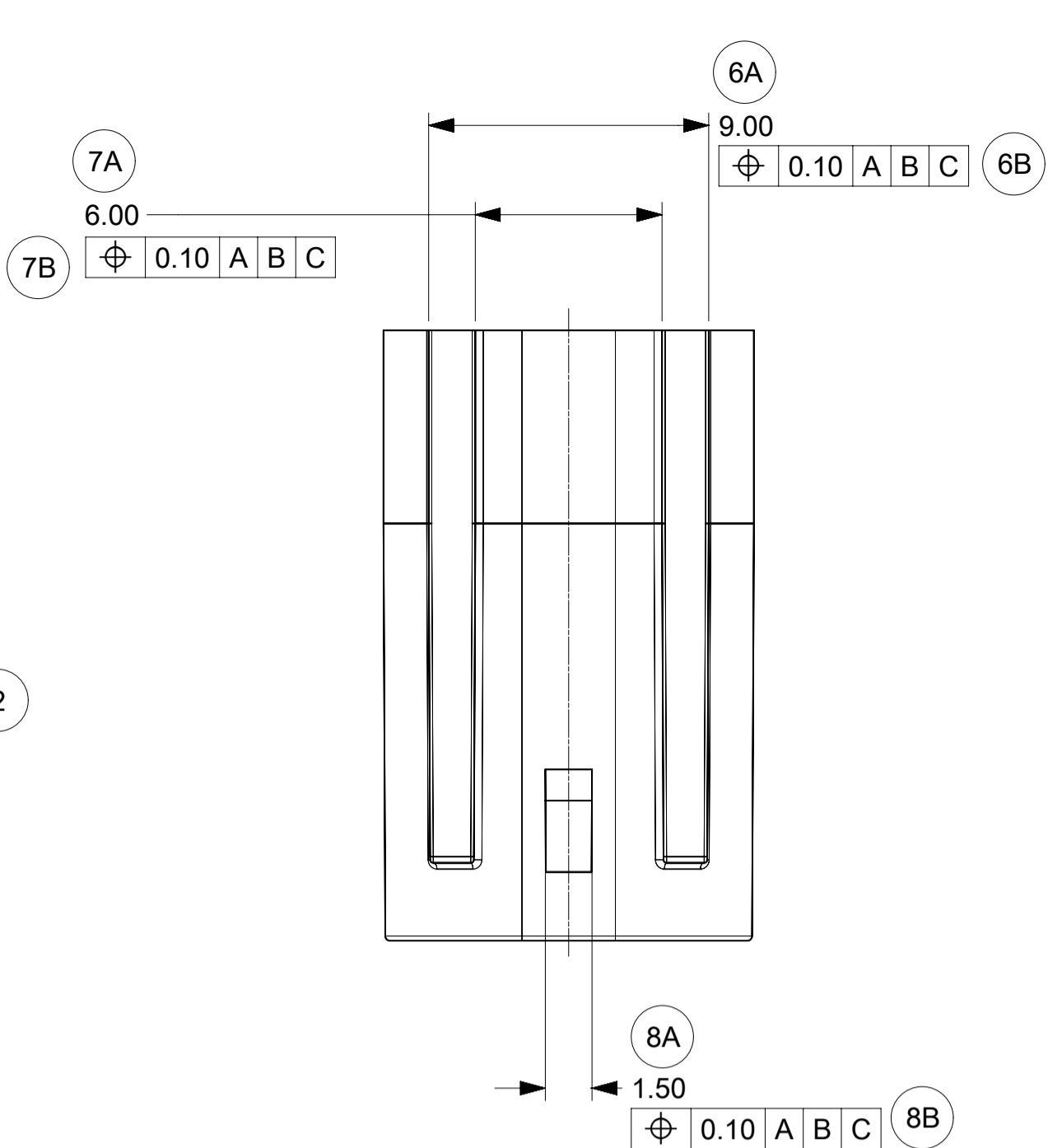
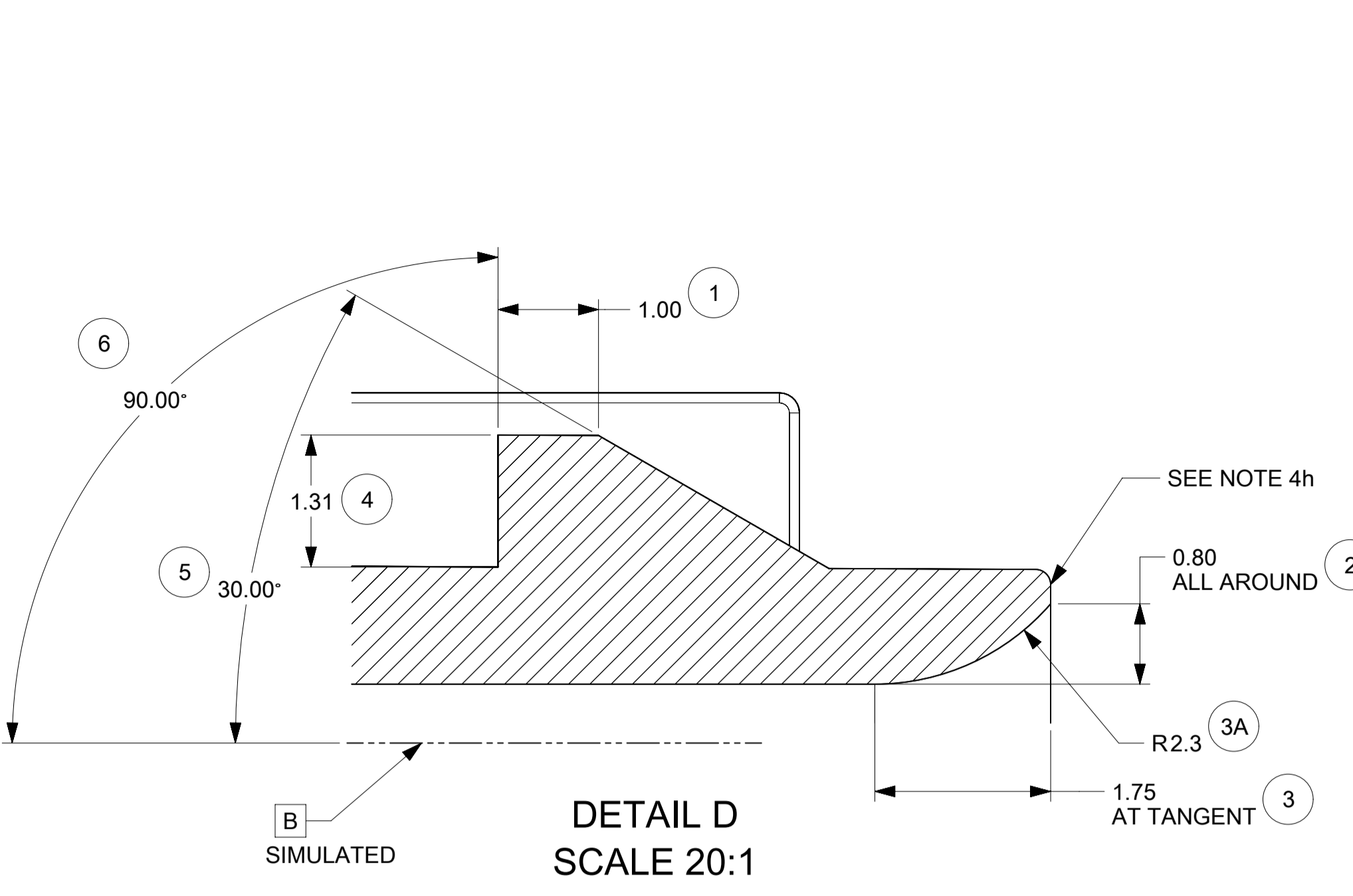


KEY OPTION C

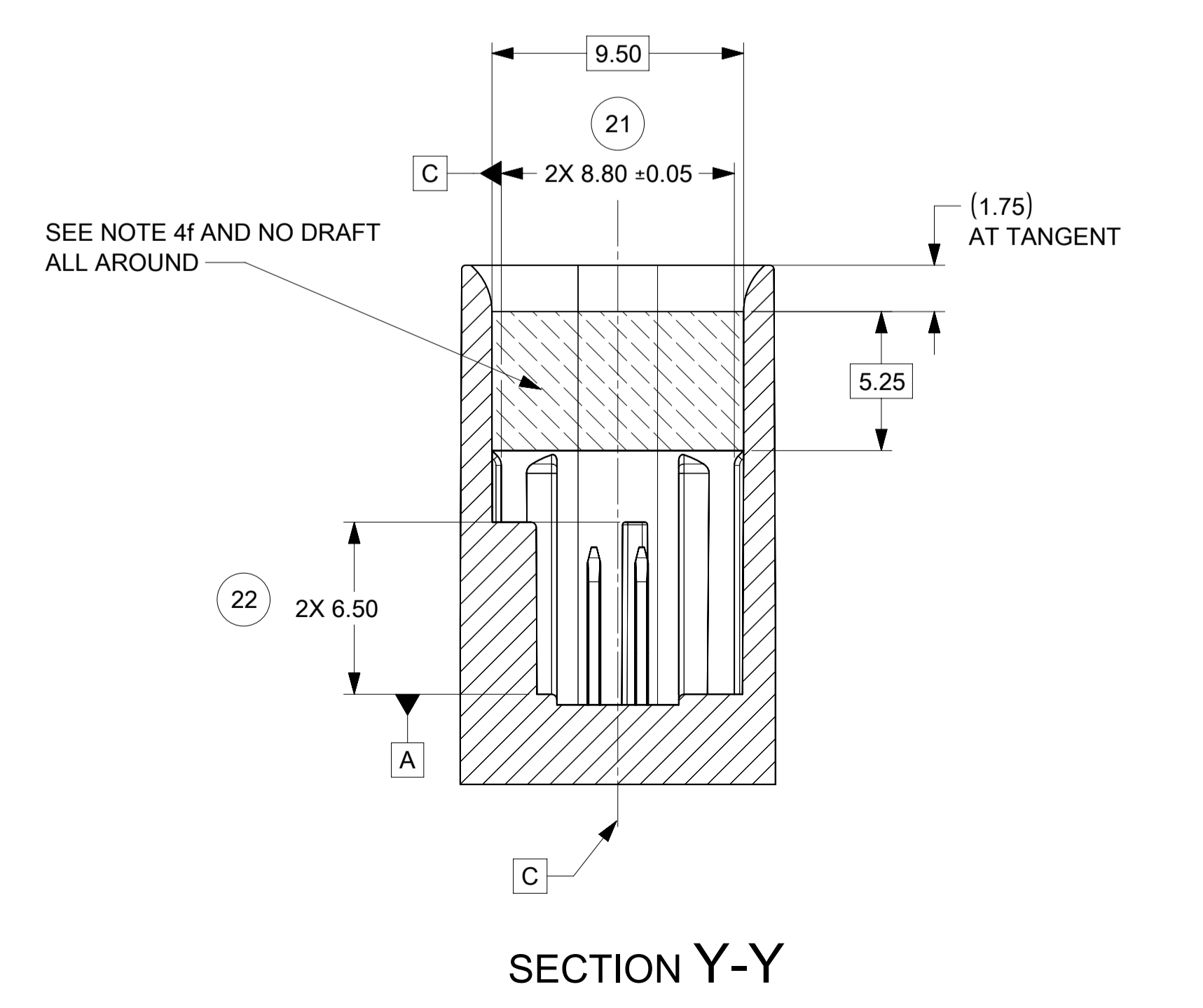
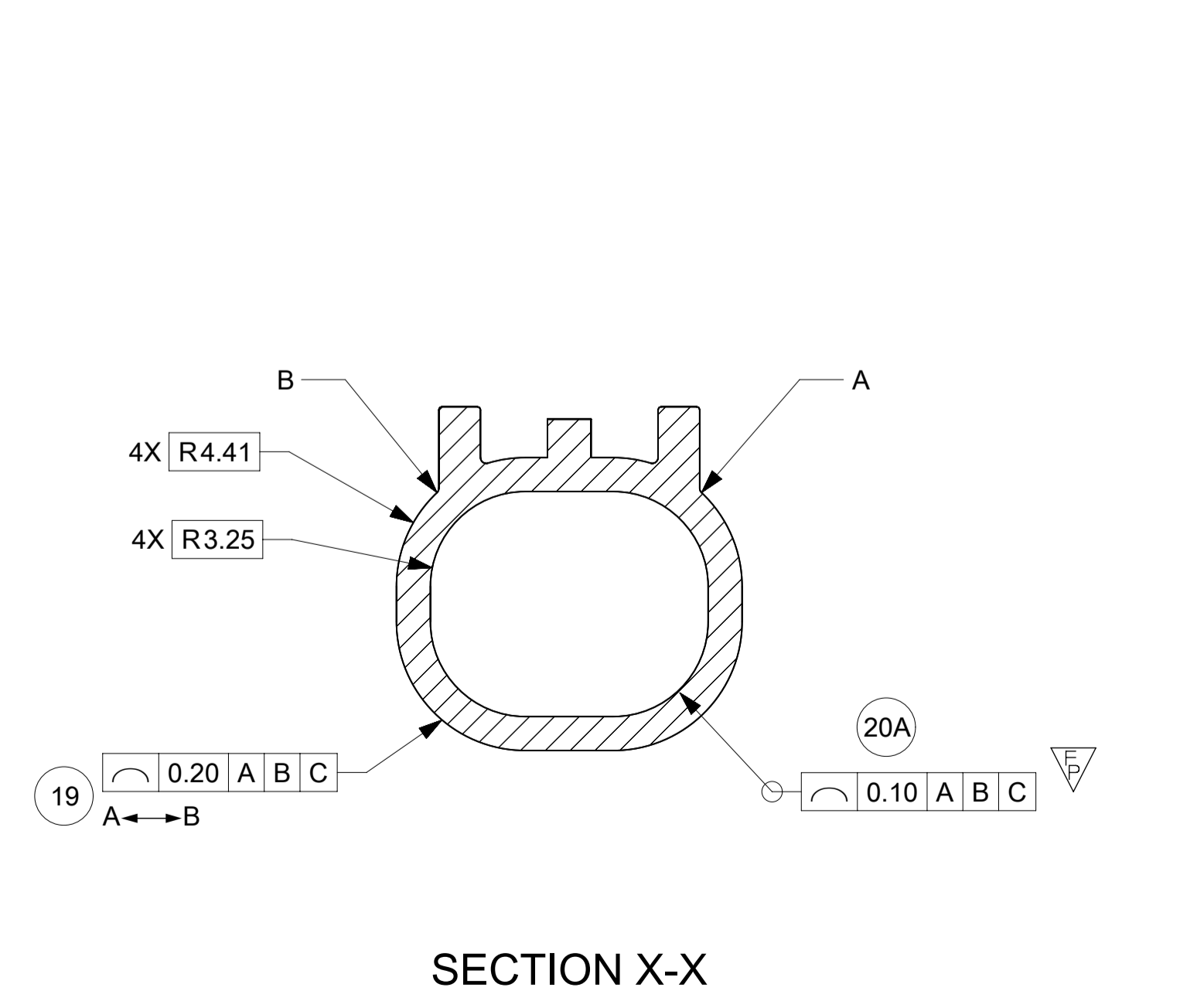
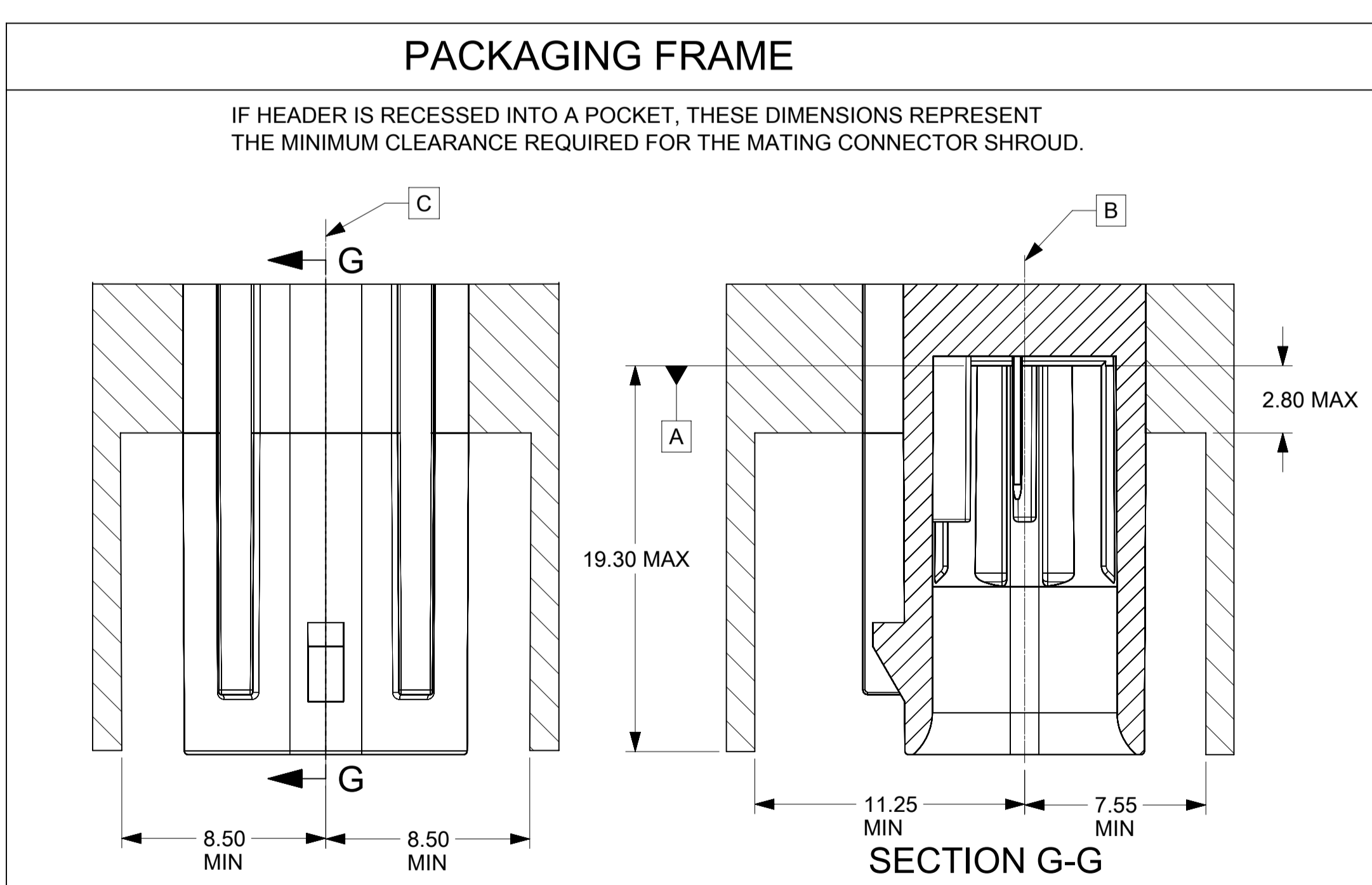
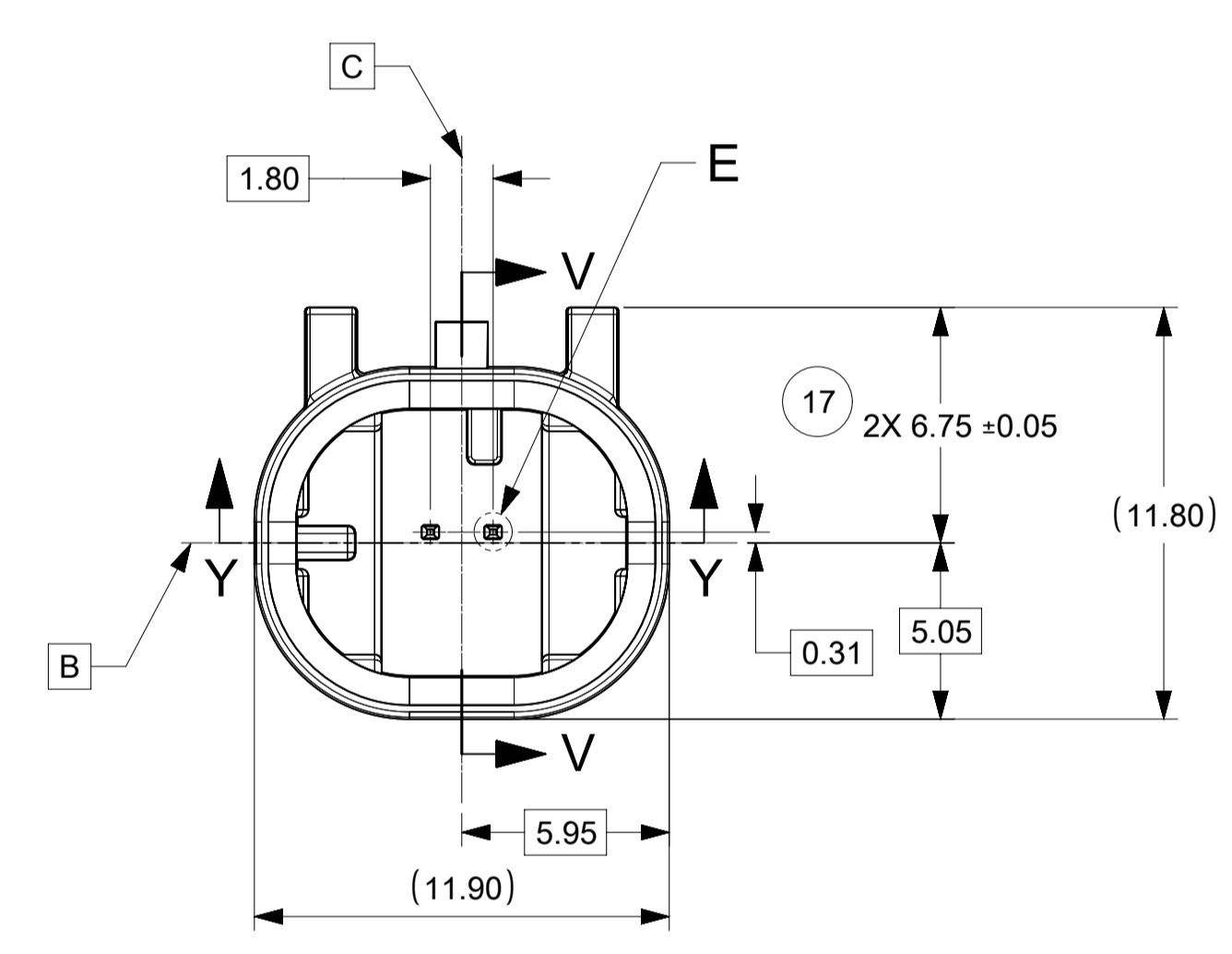
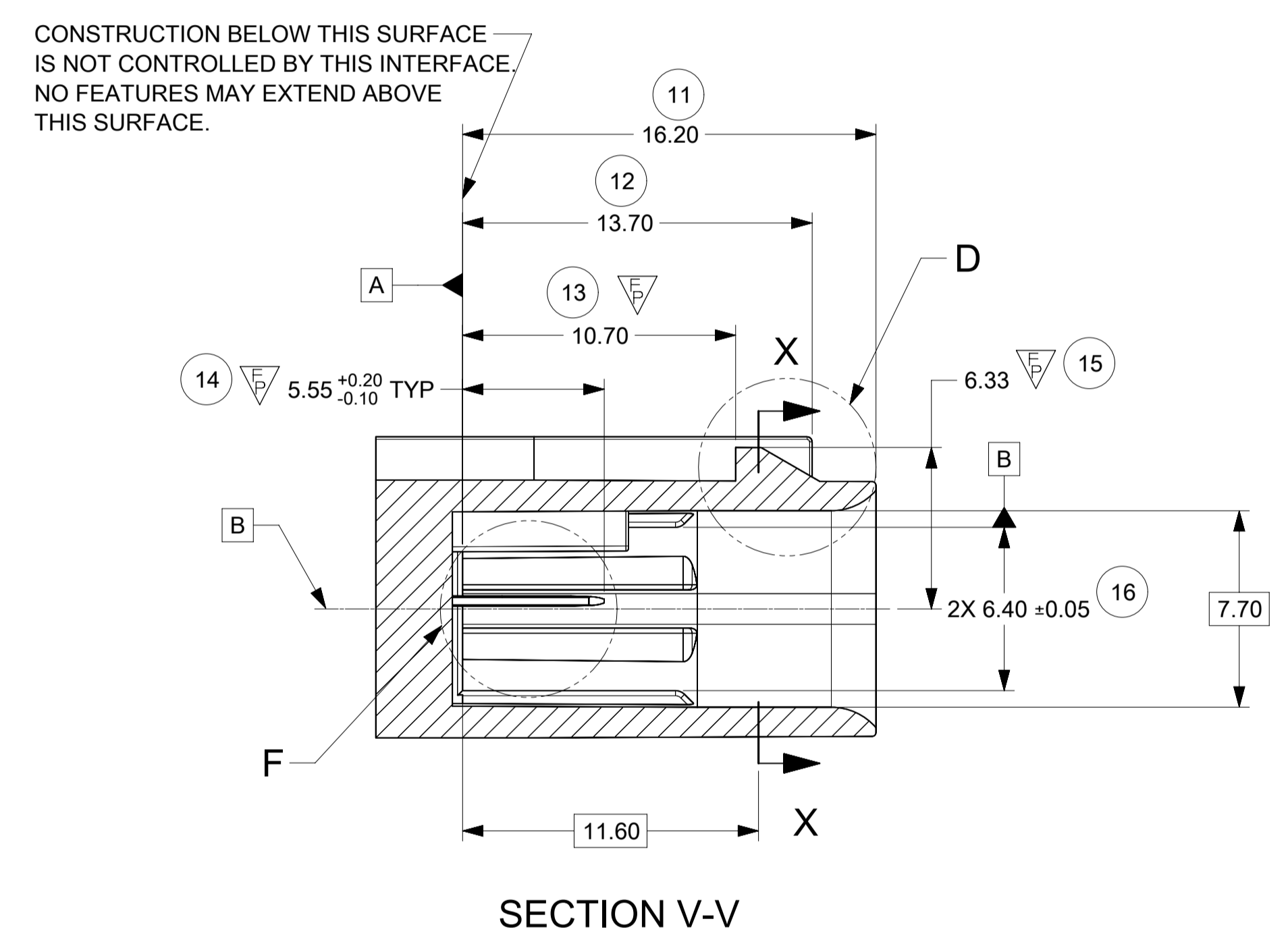
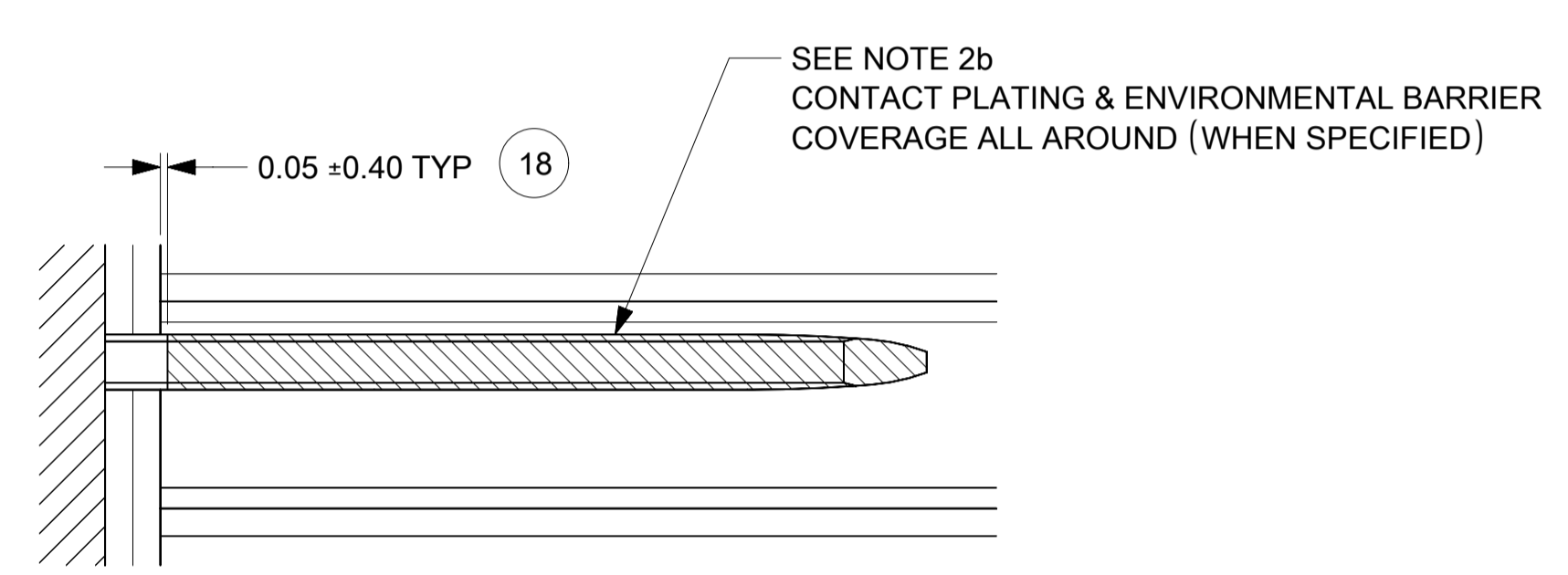


KEY OPTION D

THIS DRAWING CONTAINS INFORMATION THAT IS PROPRIETARY TO MOLEX ELECTRONIC TECHNOLOGIES, LLC AND SHOULD NOT BE USED WITHOUT WRITTEN PERMISSION									
QUALITY SYMBOLS	EC NO: 659036 DRWN: ML149 CHKD: JCONDON APPR: JCONDON	GENERAL TOLERANCES (UNLESS SPECIFIED)		DIMENSION UNITS	SCALE				
		ANGULAR TOL ± 3.0 °		mm	5:1				
FA = 0	2021/03/22 2021/03/24 2021/03/24	4 PLACES ±		DRWN BY	DATE	MINI50 SEALED 1X2 HEADER INTERFACE			
FE = 0		3 PLACES ±		ML149	2017/05/08				
FE = 0		2 PLACES ± 0.1		CHK'D BY	DATE	PRODUCT CUSTOMER DRAWING			
FV = 0		1 PLACE ± 0.2		JCONDON	2017/09/13				
CV = 0		0 PLACES ±		APPR BY	DATE	SERIES: 34968 MATERIAL NUMBER: SEE CHART CUSTOMER:			
CV = 0		DRAFT WHERE APPLICABLE MUST REMAIN WITHIN DIMENSIONS		JCONDON	2017/09/13				
CV = 0	A2		DRAWING SIZE	THIRD ANGLE PROJECTION	DOCUMENT NUMBER: 349682800 DOC TYPE: PSD DOC PART: 000		SHEET NUMBER: 2 OF 4		



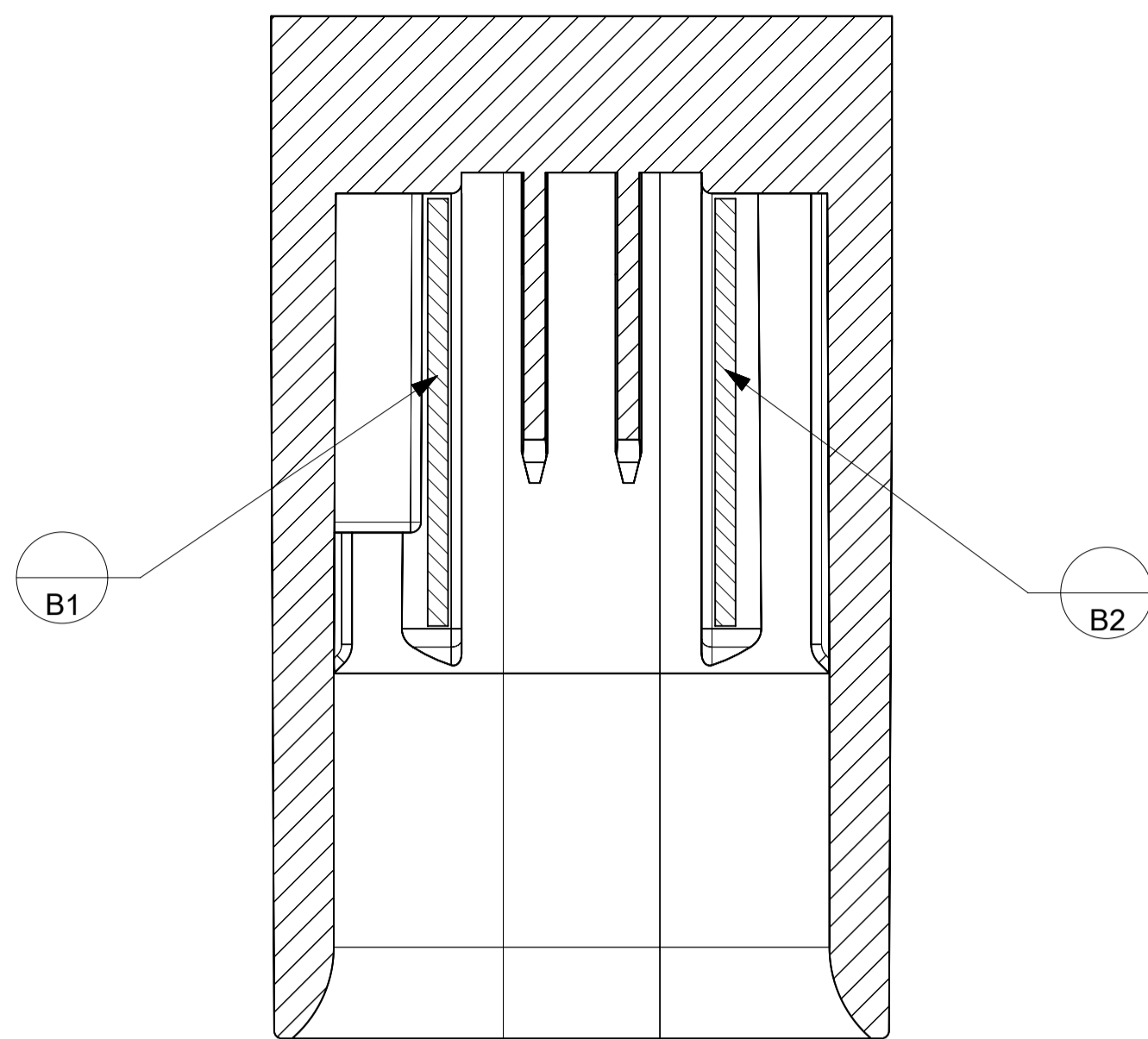
SEE NOTE 2b  
REFER TO MOLEX SALES DWG 347350050  
AND EWCAP DWG. NO. EWCAP-001 REV. P 050-T001  
0.50 TERMINAL BLADE CONFIGURATION



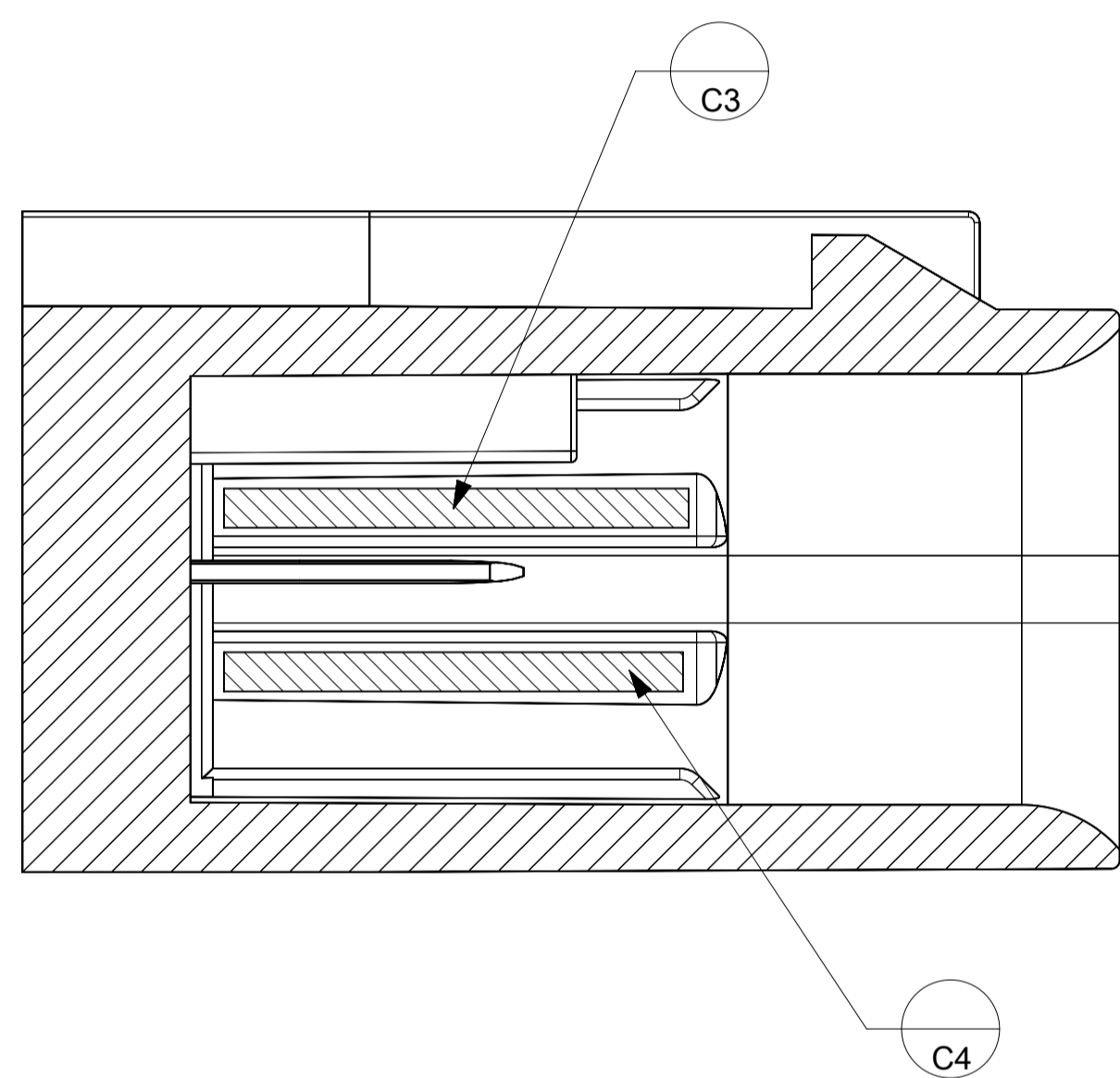
THIS DRAWING CONTAINS INFORMATION THAT IS PROPRIETARY TO MOLEX ELECTRONIC TECHNOLOGIES, LLC AND SHOULD NOT BE USED WITHOUT WRITTEN PERMISSION									
QUALITY SYMBOLS	2021/03/22 2021/03/24 2021/03/24	GENERAL TOLERANCES (UNLESS SPECIFIED)	DIMENSION UNITS	SCALE					
			mm	5:1					
<ul style="list-style-type: none"> <li>FA = 0</li> <li>FE = 0</li> <li>FE = 4</li> <li>▽ = 0</li> <li>∇ = 0</li> <li>∇ = 0</li> <li>∇ = 0</li> <li>∇ = 0</li> <li>∇ = 0</li> <li>∇ = 0</li> </ul>	<ul style="list-style-type: none"> <li>2021/03/22</li> <li>2021/03/24</li> <li>2021/03/24</li> </ul>	<ul style="list-style-type: none"> <li>ANGULAR TOL ± 3.0 °</li> <li>4 PLACES ±</li> <li>3 PLACES ±</li> <li>2 PLACES ± 0.1</li> <li>1 PLACE ± 0.2</li> <li>0 PLACES ±</li> </ul>	DRWN BY	DATE	<b>ML1149</b> 2017/05/08				
			CHK'D BY	DATE					
DRAFT WHERE APPLICABLE MUST REMAIN WITHIN DIMENSIONS			APPR BY	DATE	<b>JCONDON</b> 2017/09/13				
			DRAWING SIZE	THIRD ANGLE PROJECTION					
			A1		<b>PRODUCT CUSTOMER DRAWING</b>				
					<b>34968</b> SEE CHART				



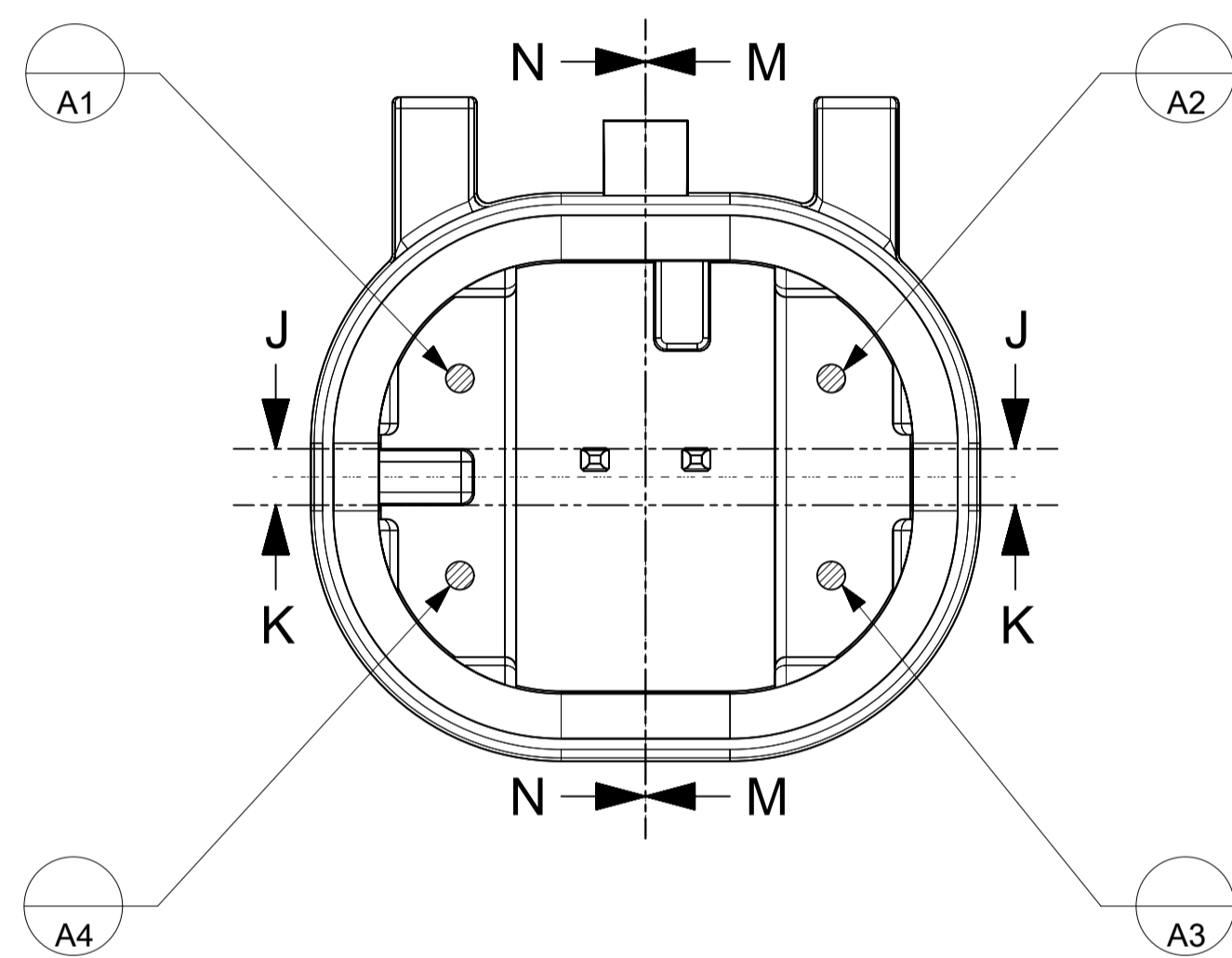
SHEET DESCRIPTION  
DATUM TARGETS



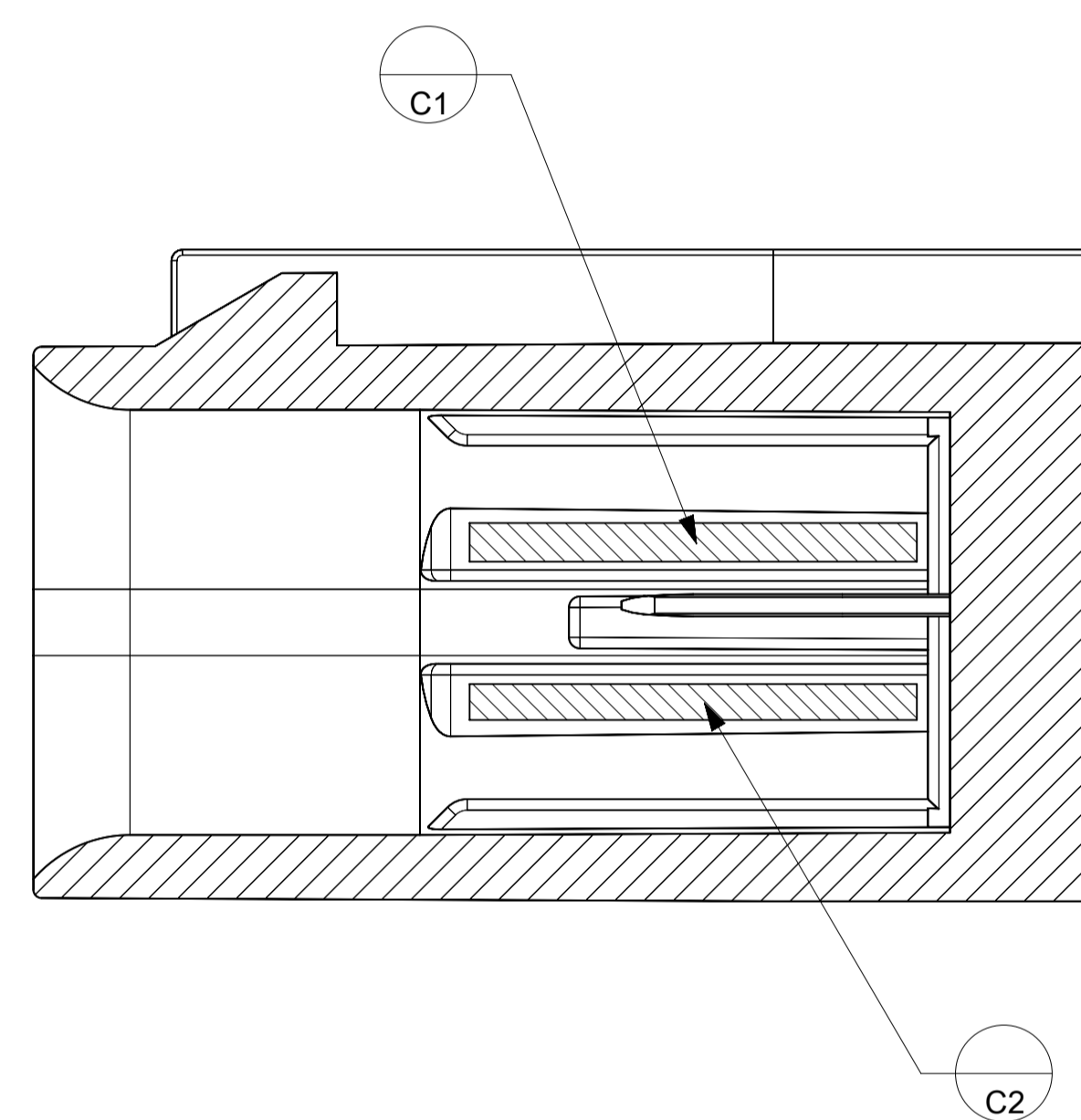
SECTION J-J



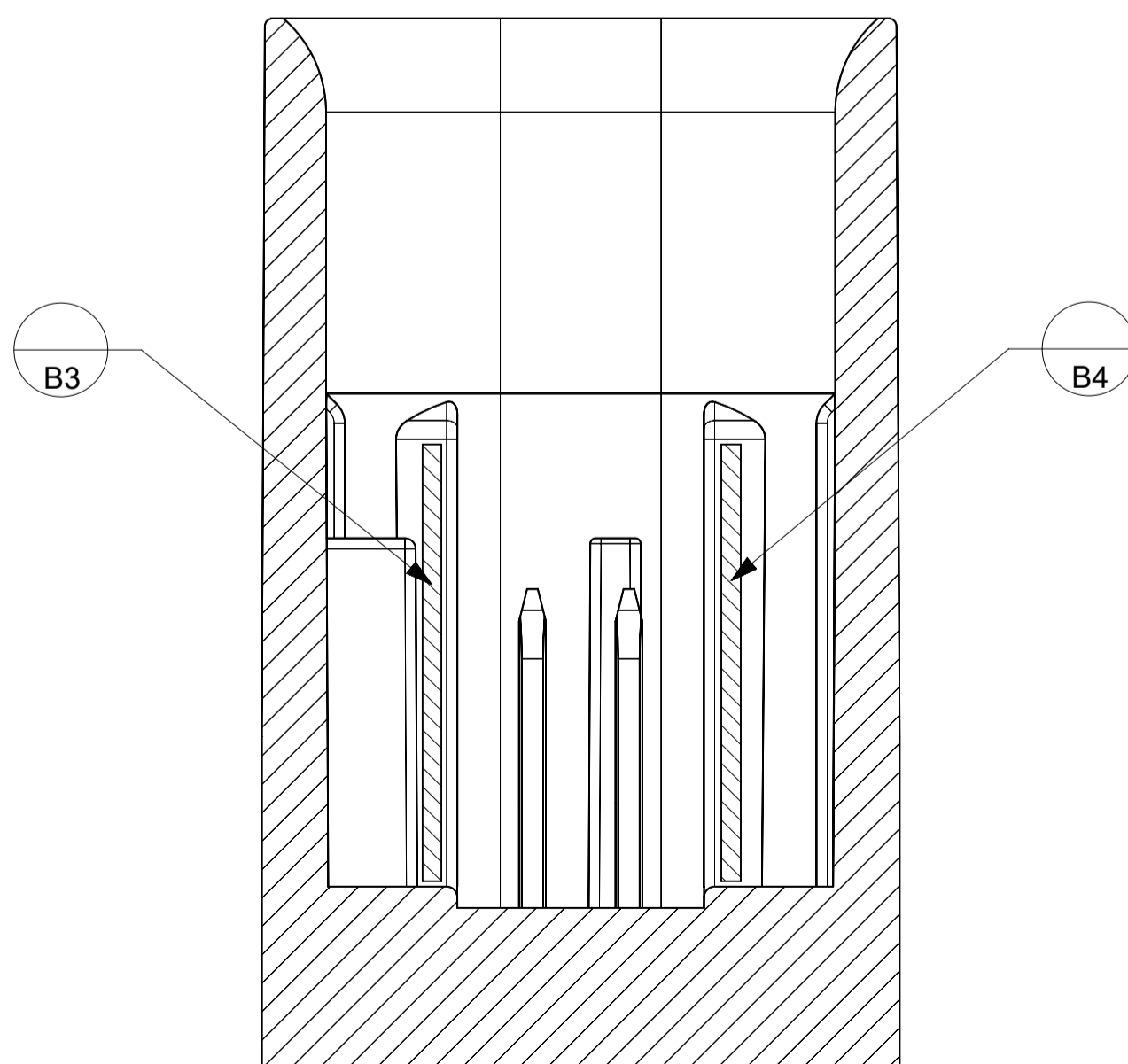
SECTION N-N


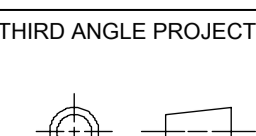


SECTION K-K



SECTION M-M



THIS DRAWING CONTAINS INFORMATION THAT IS PROPRIETARY TO MOLEX ELECTRONIC TECHNOLOGIES, LLC AND SHOULD NOT BE USED WITHOUT WRITTEN PERMISSION										
QUALITY SYMBOLS	2021/03/22 DRWN: ML1149 2021/03/24 CHK'D: JCONDON 2021/03/24 APPR: JCONDON	GENERAL TOLERANCES (UNLESS SPECIFIED)		DIMENSION UNITS	SCALE	 MINI50 SEALED 1X2 HEADER INTERFACE				
		ANGULAR TOL ± 3.0 °		mm	10:1					
FA = 0	EC NO: 659036 DRWN: ML1149 CHK'D: JCONDON APPR: JCONDON	4 PLACES ±	DRWN BY	ML1149		DATE		2017/05/08		
FE = 0		3 PLACES ±	CHK'D BY			DATE				
FF = 0		2 PLACES ± 0.1	APPR BY	JCONDON		DATE		2017/09/13		
GD = 0		1 PLACE ± 0.2	DRAWING SIZE	A1		THIRD ANGLE PROJECTION		SERIES: 34968 MATERIAL NUMBER: SEE CHART CUSTOMER:		
GC = 0		0 PLACES ±	DRAFT WHERE APPLICABLE MUST REMAIN WITHIN DIMENSIONS				DOCUMENT NUMBER: 349682800 DOC TYPE: PSD DOC PART: 000		SHEET NUMBER: 4 OF 4	
GS = 0										