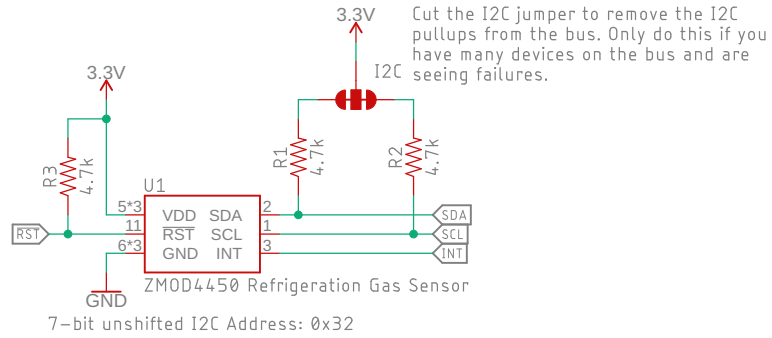
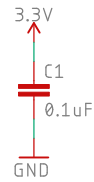
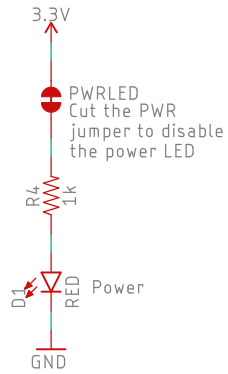
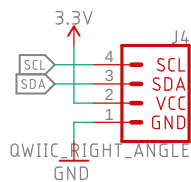
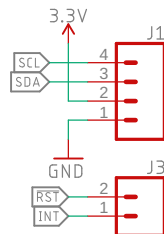
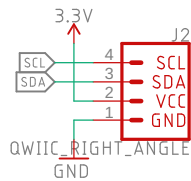


ZMOD4450 Refrigeration Gas Sensor

Vin: 1.7V-3.6V



Connectors



open hardware



Released under the Creative Commons Attribution Share-Alike 4.0 License
<https://creativecommons.org/licenses/by-sa/4.0/>

TITLE: SparkFun Refrigerator Gas Sensor – ZMOD4450

Design by: Andy England

REV:
x10

Date: 6/5/2020 10:19 AM

Sheet: 1/1