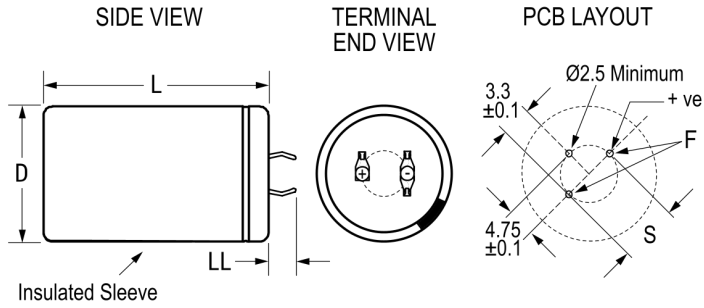


PEH534YDF3390M3

Aliases (A561EG391M450F)

PEH534, Aluminum Electrolytic, 390 uF, 20%, 450 VDC, -40/+105°C



General Information	
Series	PEH534
Dielectric	Aluminum Electrolytic
Description	Snap-In, Aluminum Electrolytic
RoHS	Yes
Lead	3 Pin Short
AEC-Q200	No
Component Weight	64 g
Notes	Add 0.5mm To D And 1mm To L For Sleeving.
Shelf Life	208 Weeks

Specifications	
Capacitance	390 uF
Capacitance Tolerance	20%
Voltage DC	450 VDC
Temperature Range	-40/+105°C
Rated Temperature	105°C
Life	3000 Hrs (Rated Voltage And Ripple Current At 105C), 4000 Hrs (Rated Voltage At 105C)
Resistance	220 mOhms (100Hz 20C), 130 mOhms (100kHz 20C)
Ripple Current	1.7 Amps (100Hz 105C), 11.3 Amps (20kHz 40C)
Leakage Current	527 uA (5min 20°C)

Click [here](#) for the 3D model.

Dimensions	
D	35mm +/-0.5mm
L	45mm +/-1mm
S	10mm +/-0.1mm
LL	4mm +/-1mm
F	2mm +/-0.1mm

Packaging Specifications	
Packaging	Bulk, Bag
Packaging Quantity	100

Statements of suitability for certain applications are based on our knowledge of typical operating conditions for such applications, but are not intended to constitute - and we specifically disclaim - any warranty concerning suitability for a specific customer application or use. This information is intended for use only by customers who have the requisite experience and capability to determine the correct products for their application. Any technical advice inferred from this information or otherwise provided by us with reference to the use of our products is given gratis, and we assume no obligation or liability for the advice given or results obtained.