



LAYOUT SHOWN AS EXAMPLE

Keying Shown as example

**CHARACTERISTICS**

- Standard : Based on MIL-DTL-38999 Series III
- Shell Material : Aluminium
- Shell Plating : Nickel
- Insulator : Thermoplastic
- Contacts : Copper Alloy
- Seals & Grommet : Silicon Elastomer
- Contact Plating : Gold over copper Alloy 0.8µm minimum
- Durability : 500 Mating cycles
- Delivered with Souriau contacts and Accessories
- Temperature Range : -65°C to +200°C
- Salt Spray : 48 hours

Connector dimension	
Dim	Nominal
P	3.25±0.2
PP	4.93±0.2
R1	23.01
R2	20.62
S	28.6±0.3
V	20.83+0/-1.25
W	2.1/2.5
Z	31.5 Max
VV THREAD	M18x1-6g

SOURIAU shall not be liable for any non-conformity or damage due to a use of the Products which does not comply with the Specifications issued by either of the Parties or by a third party (professional recommendation, technical notice.)

Country	Jurisdiction & Control List
FR	Not Listed

**PN: 8D013F03PD**

A	14-10-2016	First Release	
ISS	DATE	Latest modification - by	MOD N°
Designed By:		Date:	<b>CUSTOMER DRAWING</b>
<b>TITLE</b>	<b>Aluminium Receptacle 8D series</b>		
SCALE	NA	General linear Tolerances: ±--	NPRDS / PROJECT <b>859</b>
<b>SOURIAU</b>	<b>WWW.SOURIAU.COM</b>		This document is the property of SOURIAU it must not be reproduced or communicated without permission
FORMAT	<b>A3</b>		<b>SOURIAU DRG N° 8D013F03PD-C</b>
			SHEET 1/2

BASIC SERIES:	8D	0	-	13	F	03	P	D	ORIENTATION : D
SHELL TYPE :	Square Flange Receptacle								CONTACT TYPE : PIN(500 Matings)
CONTACT TYPE :	Standard Crimp Contact								CONTACT LAYOUT : 13-03
SHELL SIZE :	13								
PLATING :	F = Nickel								

Contact Layout

03

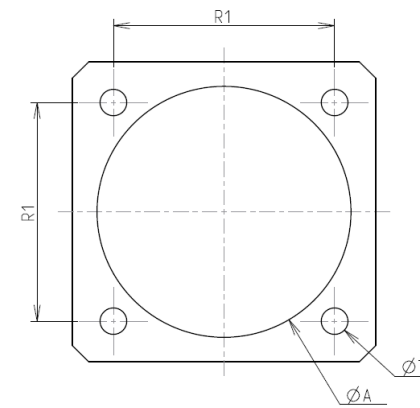


3#16

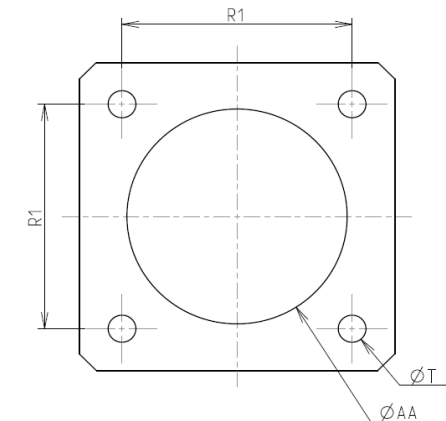
13-03		
Ctc	X	Y
A	2.39	1.47
B	0	-2.79
C	-2.39	1.47

Panel Cutout

SQUARE FLANGE RECEPTACLE (TYPE 0)  
REAR MOUNTING



SQUARE FLANGE RECEPTACLE (TYPE 0)  
FRONT MOUNTING



Dim	Nominal
ØA	23.42 min
ØAA	19.05 min
R1	23.01
ØT	3.25 ±0.13

SOURIAU shall not be liable for any non-conformity or damage due to a use of the Products which does not comply with the Specifications issued by either of the Parties or by a third party (professional recommendation, technical notice.)

Country	Jurisdiction & Control List
FR	Not Listed

PN: 8D013F03PD

A	14-10-2016	First Release	
ISS	DATE	Latest modification - by	MOD N°
Designed By:		Date:	<b>CUSTOMER DRAWING</b>
<b>TITLE</b>	<b>Aluminium Receptacle 8D series</b>		
SCALE		General linear Tolerances:	NPRDS / PROJECT
NA		±--	<b>859</b>
<b>SOURIAU</b>	<b>WWW.SOURIAU.COM</b>		This document is the property of SOURIAU it must not be reproduced or communicated without permission
FORMAT	<b>SOURIAU DRG N° 8D013F03PD-C</b>		SHEET 2/2