

4

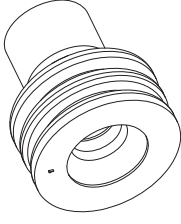
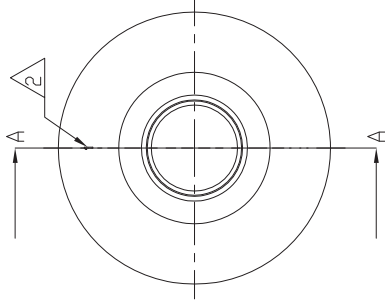
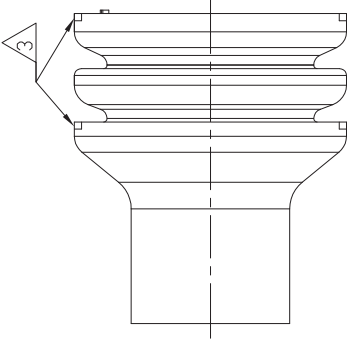
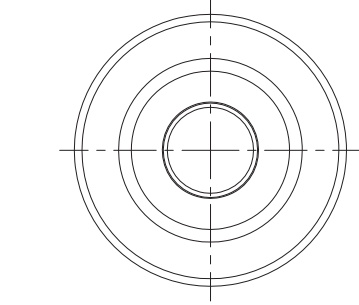
3

2

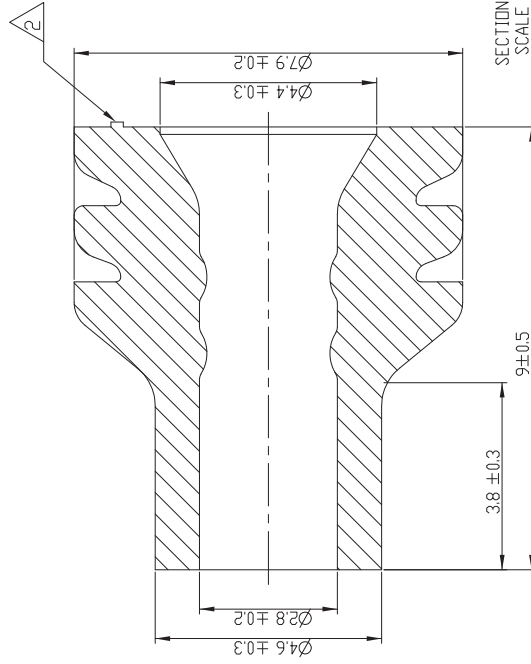
1

THIS DRAWING IS UNPUBLISHED.  
© COPYRIGHT 20 BY -  
RELEASED FOR PUBLICATION  
ALL RIGHTS RESERVED.

REVISIONS		DATE	DWN	APVD
P	LTR	DESCRIPTION		
A1		REVISED (ECR-16-007323)	JM	JW



ISO VIEW



SECTION A-A  
SCALE 10:1

- NOTES:  
 (A) MATERIAL: NBR(HARDNESS 40 ±5, LUBRICATED CONTAIN 5% OIL)  
 (B) CAVITY MARK: 0.25mm LETTERS (MAX. 0.1mm RAISED)  
 (C) APPLICABLE OPTION FIGURE BY MANUFACTURING PROCESS  
 BUT MUST BE NO PROBLEM IN FUNCTION.

BLACK		85011-1	A
COLOR	△1	MATERIAL	P/N
			REV.



TE Connectivity

THIS DRAWING IS A CONTROLLED DOCUMENT.		DWN: JM JEON		NAME: TE Connectivity	
TOLERANCES UNLESS OTHERWISE SPECIFIED:		CHK: -	APVD: JW JUNG	PRODUCT SPEC: -	
0 PLC	±	APPL: -	APPL: -	SIZE: A3	CAGE CODE: -
1 PLC	±	WEIGHT: -	WEIGHT: -	DRAWING NO: C-85011	RESTRICTED TO: -
2 PLC	±	CUSTOMER DRAWING			
3 PLC	±	SCALE: 7:1			
4 PLC	±	SHEET: 1 OF 1			
FINISH: -		REV: A1			
SEE NOTE.					

WIRE SEAL FOR 187 SLD 2P CONN'R  
(INSULATION DIA: Ø2.9-3.8mm)