

Würth Elektronik eiSos GmbH & Co. KG

EMC & Inductive Solutions

Max-Eyth-Straße 1 · 74638 Waldenburg · Germany

Tel. +49 (0) 79 42 945-0 · Fax +49 (0) 79 42 945-400

eiSos@we-online.de · www.we-online.de



Product/Process Change Notice (PCN)

- Major change
 Minor change

PCN #: PCN_IndLQ_20180206

Product Affected: WE-LQ size 1210 series

PCN Date: November 6th, 2017Effective Date: February 6th, 2018

- Product Mark
 Date Code
 Packaging
 Others

Contact: Product Management

Phone: +49 (0) 7942 - 945 5001

Fax: +49 (0) 7942 - 945 5179

E-mail: pcn.eisos@we-online.de /
pcn.eican@we-online.deAttachment: Yes No

Samples:

DESCRIPTION AND PURPOSE OF CHANGE:

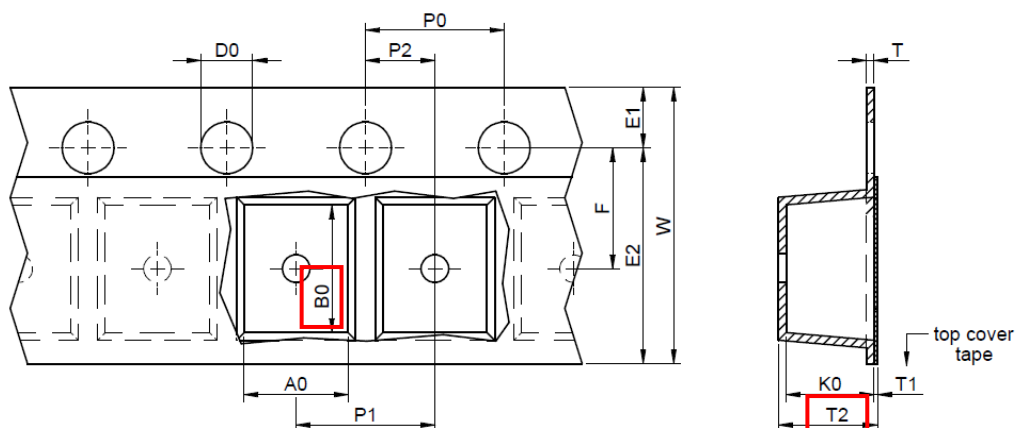
In order to improve the transportation safety, Würth Elektronik will change the cavity of the carrier tape.

Products after product change with effective date of 6th February 2018 are available with Date Code 2017-12-01.

DETAIL OF CHANGE:

The dimensions B0 and T2 will be changed from 3.70 mm and 3.50 mm, respectively, to 3.35 mm and 2.50 mm, reducing the cavity size for a better fitting of the parts in to the carrier tape.

Dimension	Before Change	After Change
B0	3.70	3.35
T2	3.00	2.50



Würth Elektronik eiSos GmbH & Co. KG Sitz Waldenburg, Registergericht Stuttgart HRA 580801

Komplementär Würth Elektronik eiSos Verwaltungs-GmbH, Sitz Waldenburg, Registergericht Stuttgart HRB 581033 · Geschäftsführer Oliver Konz, Thomas Schrott, Alexander Gerfer

Bankverbindungen UniCredit Bank AG Stuttgart, Konto 322 620 136, BLZ 600 202 90, IBAN DE86 6002 0290 0322 6201 36, SWIFT/BIC HYVEDEMM473

USt.-IdNr. DE220618976

Würth Elektronik eiSos GmbH & Co. KG

EMC & Inductive Solutions

Max-Eyth-Straße 1 · 74638 Waldenburg · Germany

Tel. +49 (0) 79 42 945-0 · Fax +49 (0) 79 42 945-400

eiSos@we-online.de · www.we-online.de



RELIABILITY / QUALIFICATION SUMMARY:

Product approval is according to the specification and is internally released by the Product Management Department.

DATA SHEET CHANGE:

Yes

No