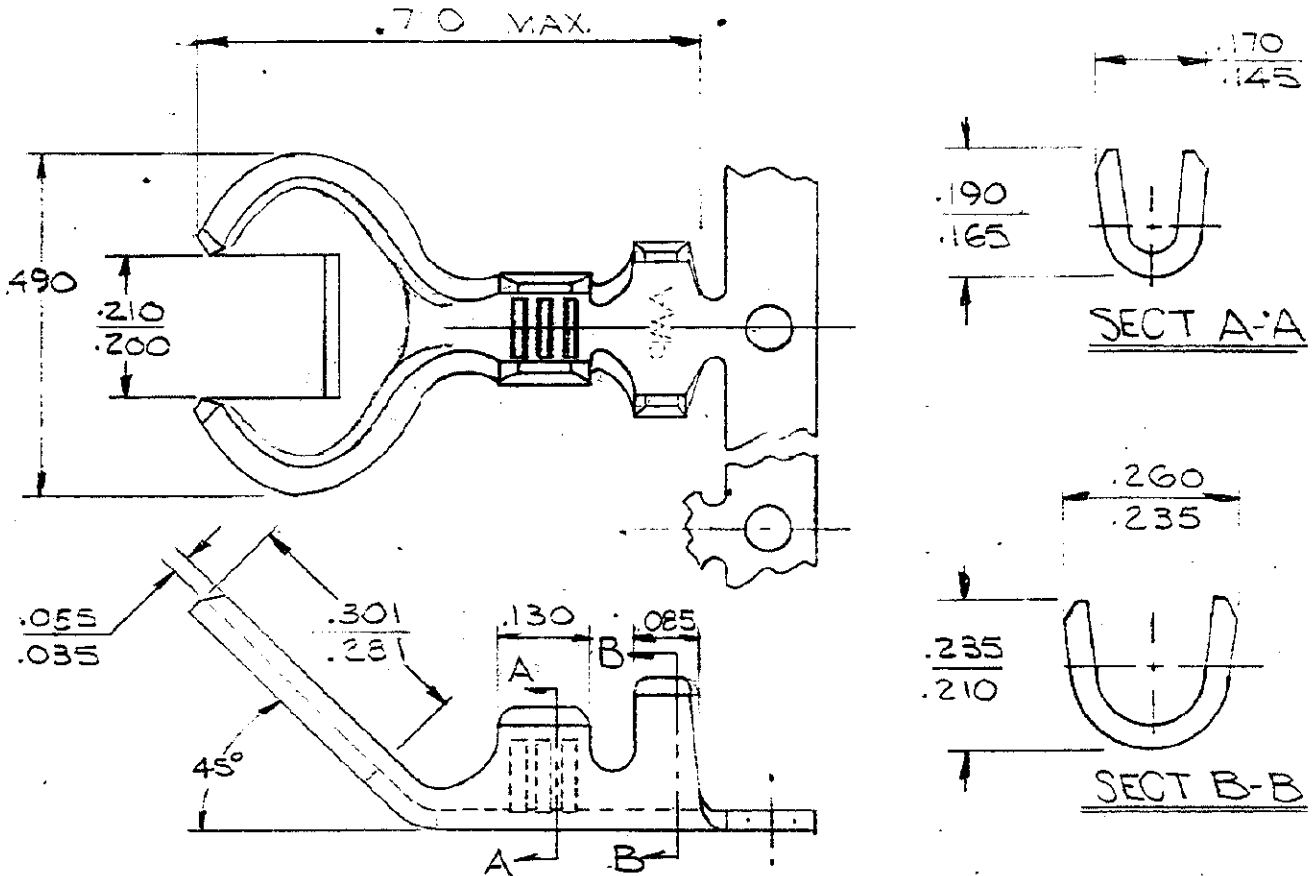


NUMBER 60999



CONTINUOUS STRIP, ON REELS

WIRE SIZE AWG	INSULATION RANGE	MATERIAL AND FINISH	TERMINAL NUMBER
18-14	.120-.180	.031 COPPER-TIN	60999-1

DIMENSIONS IN INCHES. DO NOT SCALE PRINT

©1966 BY AMP INCORPORATED, ALL RIGHTS RESERVED. AMP PRODUCTS COVERED BY PATENTS AND/OR PATENTS PENDING.		CUSTOMER COPY REFERENCE ONLY	
MATERIAL AND FINISH		Tyco Electronics Corporation Harrisburg, PA 17105-3608	
WIRE RANGE INSULATION		CLASS	
TYPE		TYPE	
REV	REVISION RECORD	DR	CHK
H	REVISED PER ECR-10-006099	HMR	PD
DATE	07JUL10		
TOLERANCE EXCEPT AS NOTED		SCALE	LOC
± .015		4-1	AT
NAME		NO.	REF.
SPADE		A	H
		60999	

REV	REVISION RECORD	DR	CHK	DATE
1	C. MEYERS 3-10-66	DF		3/10/66
2		APV		