

**Ratings**

Voltage: 300 V  
 Temperature: -40~105 °C  
 Flammability: VW-1

**Conductor**

Conductor count: 2  
 Gauge: 26 AWG 0.15 mm<sup>2</sup>  
 Material: tinned copper strands  
 Strand size:  $\varnothing 0.1 \times 19$   
 Resistance at 20 °C: 150  $\Omega$  /km max

**Insulator**

Material: FEP  
 Color: red, black  
 Diameter:  $\varnothing 0.82 \pm 0.10$   
 Nominal thickness: 0.13 mm  
 Resistance at 20 °C: 10 M $\Omega$  /km min

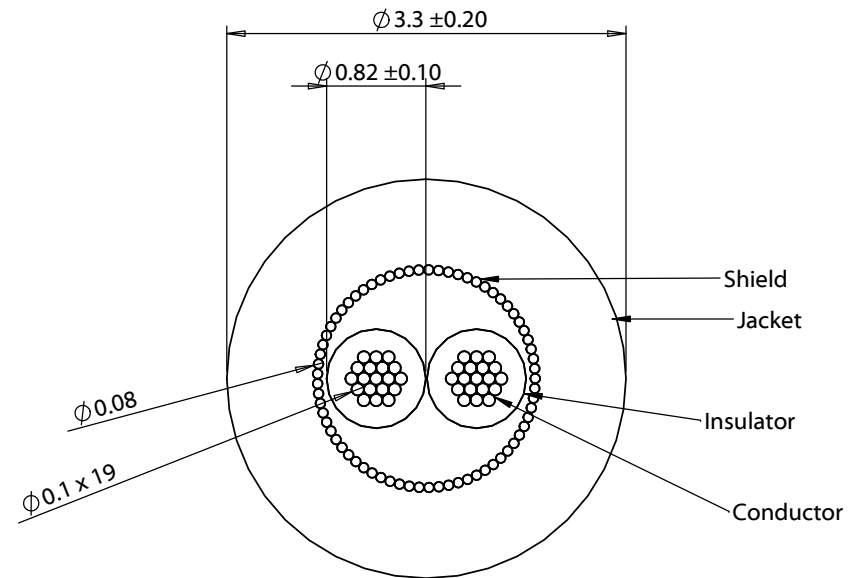
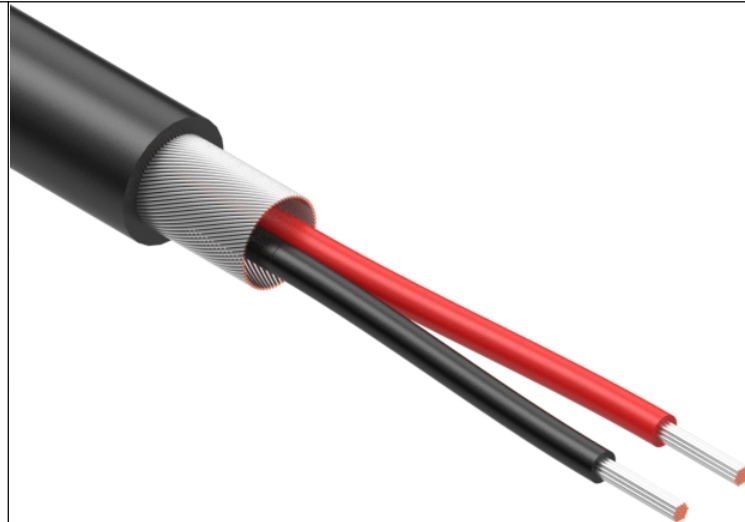
**Shield**

Material: tinned copper strands  
 Strand size:  $\varnothing 0.08$  mm, 85% min coverage

**Outer jacket**

Material: TPE, 78A  
 Color: black, matte  
 Diameter:  $\varnothing 3.3 \pm 0.20$   
 Nominal thickness: 0.6 mm

**Wire marking:** E339579 UL AWM STYLE 21296 26 AWG 105°C  
 300V VW-1 --- cUL AWM I A 105°C 300V FT1 TENSILITY DGT



|           |            |                 |  |   |   |              |
|-----------|------------|-----------------|--|---|---|--------------|
| Revision: | Date:      | Description:    | Prepared:  | Notes:<br>RoHS compliant<br>Phthalate free<br>Function test: no open, no short circuit, no intermittent | <h1>TENSILITY</h1> <p>tel 1.541.323.3228 800 877.670.7118<br/>         fax 1.541.323.4202 web tensility.com</p> |              |
| A         | 10/26/2021 | Initial release | Verified:  |   |   |              |
|           |            |                 | Dimensions are in millimeters.<br>Tolerances:<br>X: $\pm 0.5$ mm<br>X.X: $\pm 0.3$ mm<br>X.XX: $\pm 0.05$ mm | Description:  | Size: Part number:  |              |
|           |            |                 |  | Wire, 2C TS, 26 AWG, UL 21296, 300V, 105C, 3.3 mm, shielded, VW-1, TPE                                  | A 30-02414  |              |
|           |            |                 |  | Scale: 16:1   |   | Sheet 1 of 1 |

5

4

3

2

1