
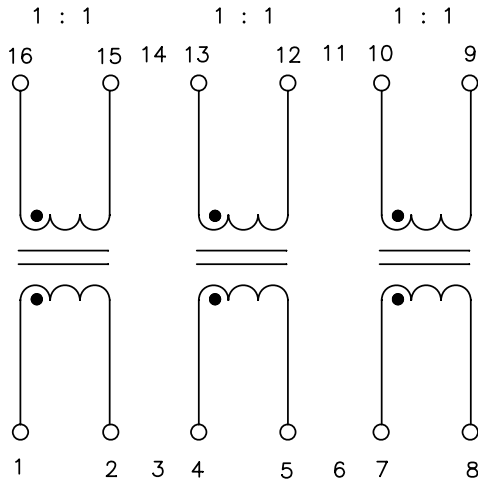
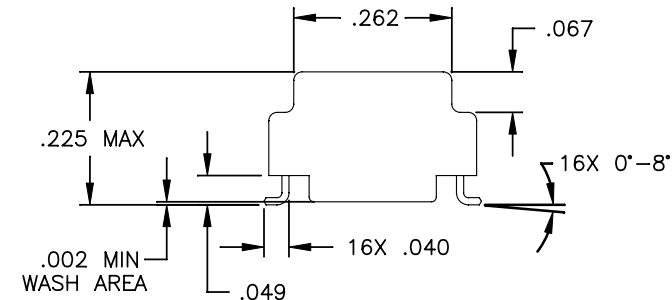
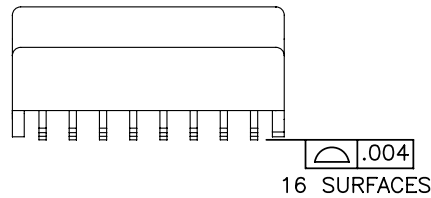
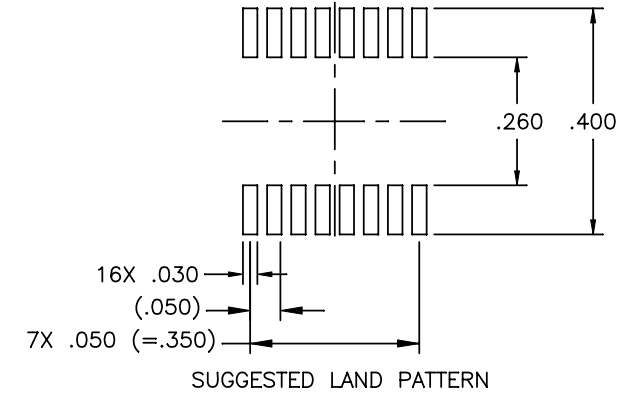
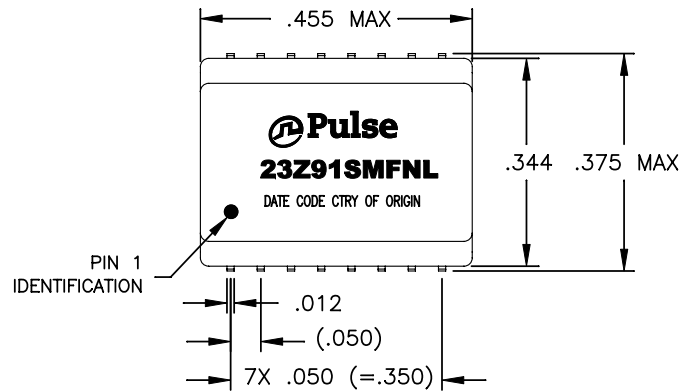


NOTES: UNLESS OTHERWISE SPECIFIED

1.

NOTICE:	THIS IS A RoHS COMPLIANT COMPONENT/PRODUCT. ALL ENGINEERING CHANGES MUST HAVE PRIOR APPROVAL BY THE DESIGN CENTER.
RoHS 	

2. PLASTIC: THERMOSET PLASTIC MATERIAL WITH FLAMMABILITY RATING UL 94V-0 OR BETTER.
3. SOLDERABILITY: CONFORMS TO ANSI/J-STD-002, 245°C REFLOW PEAK TEMPERATURE PER IPC/EIA J-STD-003A
4. OPERATING TEMPERATURE: 0°C TO +70°C
5. STORAGE TEMPERATURE: -20°C TO +125°C
6. JEDEC MOISTURE: LEVEL 1.
7. DIMENSIONS ARE IN INCHES WITH THE FOLLOWING TOLERANCES:
.XX = ±.01 .XXX = ±.005
8. REVISION: MP1, MP2, ARE PRELIMINARY.



SCHEMATIC

ELECTRICAL CHARACTERISTICS AT +25°C

PARAMETER	SPECIFICATIONS
OPERATING TEMP	0°C ~ +70°C
TURNS RATIO	1 : 1 ±2%
POLARITY	PER SCHEMATIC
CAPACITANCE WINDING TO WINDING	10 pF MAX (AT 100 KHz 20 mVRMS)
DC RESISTANCE	0.3 OHMS MAX
LEAKAGE INDUCTANCE	0.2 uH MAX (AT 100 KHz 20 mVRMS)
PRIMARY INDUCTANCE	100uH ±20% (AT 100 KHz 20 mVRMS)
INPUT - OUTPUT ISOLATION	1500 VRMS FOR 60 SECONDS

© Copyright, 2013. Pulse Electronics Corp. All rights reserved. Drawing specifications subject to change without notice. (08/07/13)

PULSE CONFIDENTIAL
&
PROPRIETARY

PRODUCT DESCRIPTION
MDL,SIN,10D,1:1,SM,TU

PS DRAWING
PS-2755.001-A

SHEET:
1

DWG. NO./ PART NO.
23Z91SMFNL

REV.
MP1