

THIS DRAWING IS UNPUBLISHED. RELEASED FOR PUBLICATION
 © COPYRIGHT - By - ALL RIGHTS RESERVED.

LOC	DIST	REVISIONS			
P	LTR	DESCRIPTION	DATE	DWN	APVD
AF	50	D3	REVISE PER ECR-14-005740	15APR2014	GRZ JL

D

D

C

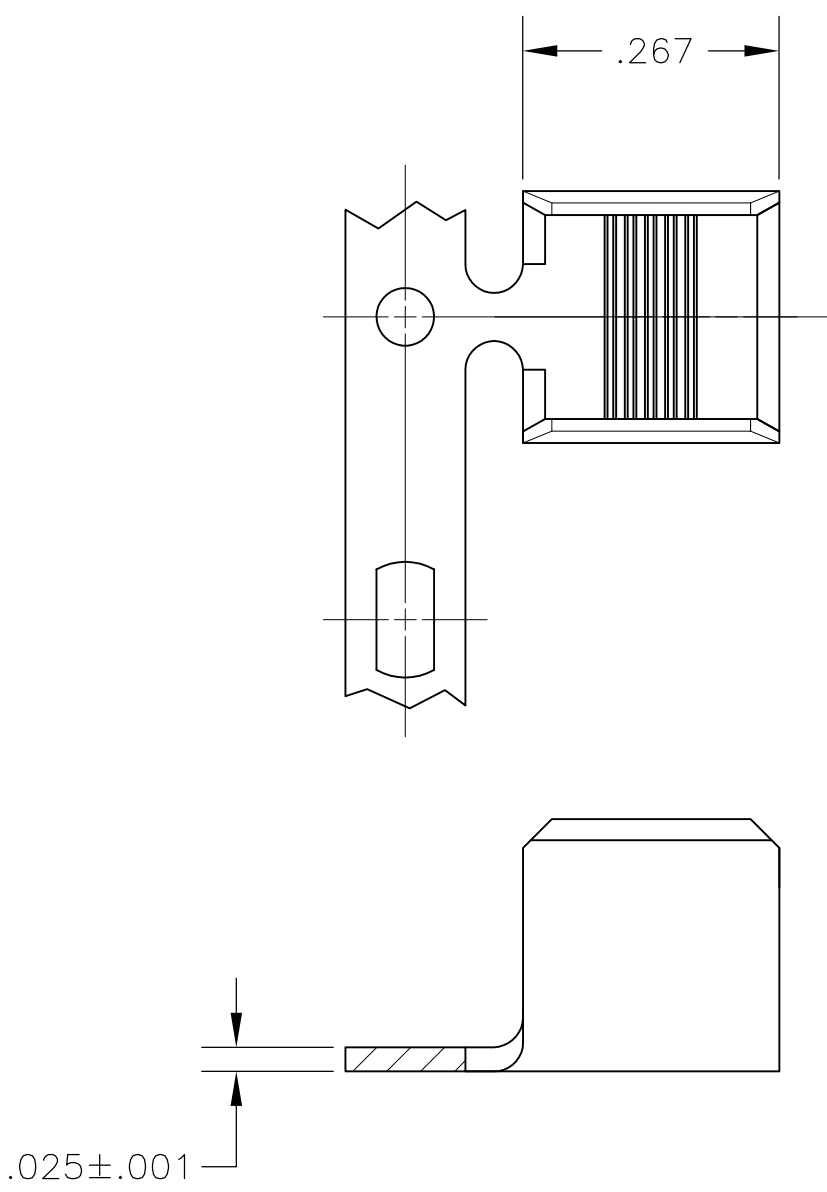
C

B

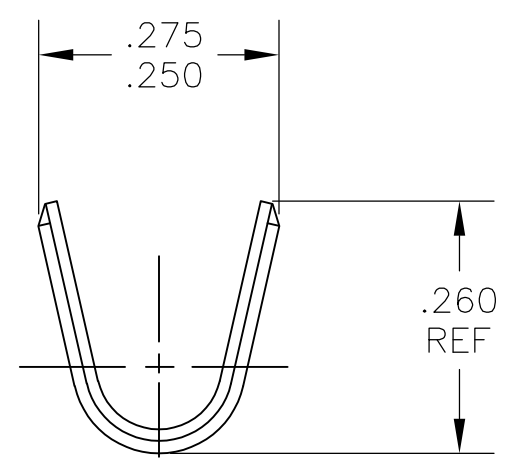
B

A

A



- 1 PROVIDED ON 24 INCH DIA REEL.
- 2 CRIMP WIDTH—.180, F TYPE
- 3 CRIMP HEIGHT ±.002 = $\frac{CMA+23,500}{312,500}$
- 4 WIRE RANGE IS 6,000—14,000 CMA
- △5 SPLICE FREE



—	△5	1217990-4
TIN PLATE	△5	1217990-3
TIN PLATE		1217990-2
—		1217990-1
FINISH		PART NO

THIS DRAWING IS A CONTROLLED DOCUMENT.		DWN jr_ruth 26AUG03	TE Connectivity			
DIMENSIONS: INCHES		CHK G PORTA 26AUG03				NAME SPLICE, AMPLIVAR 5 SERRATIONS
		APVD G PORTA 26AUG03	PRODUCT SPEC —			
TOLERANCES UNLESS OTHERWISE SPECIFIED: 0 PLC ± - 1 PLC ± - 2 PLC ± .010 3 PLC ± - 4 PLC ± - ANGLES ± -		APPLICATION SPEC —	SIZE A3	CAGE CODE 00779	DRAWING NO C-1217990	RESTRICTED TO —
MATERIAL BRASS	FINISH SEE TABLE	WEIGHT —	CUSTOMER DRAWING			SCALE 5:1
			SHEET 1 OF 1	REV D3		