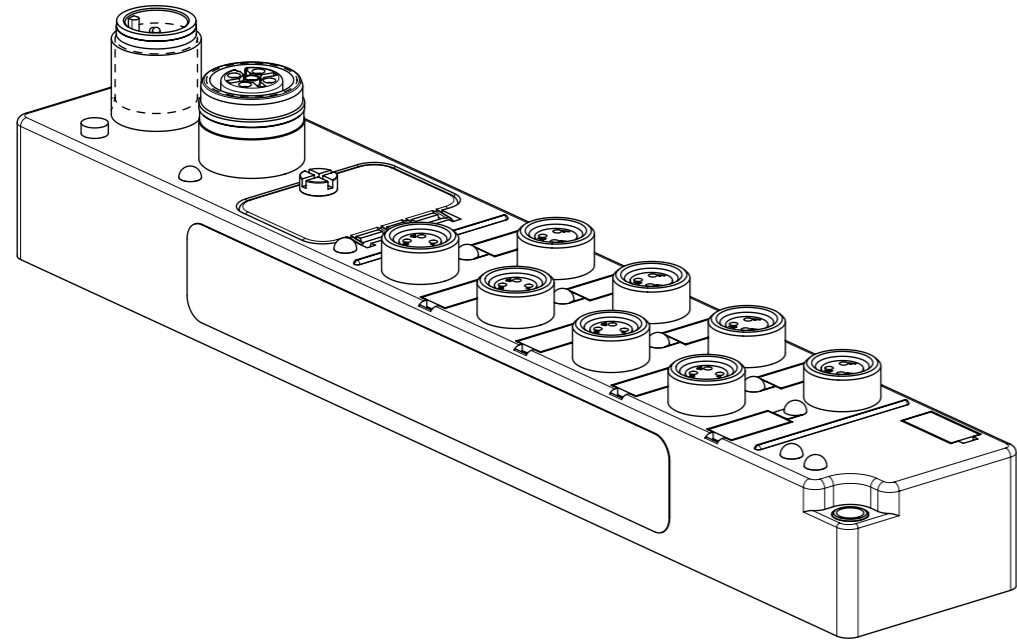

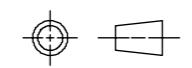
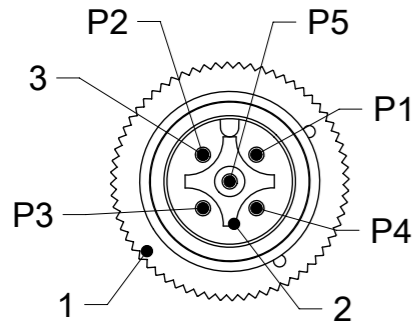


2x FIXING HOLES  
SUITABLE FOR M3  
SCREWS



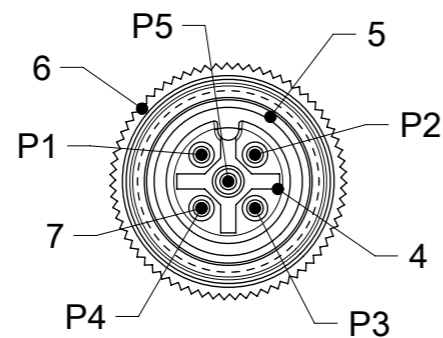
THIS DRAWING CONTAINS INFORMATION THAT IS PROPRIETARY TO MOLEX INCORPORATED AND SHOULD NOT BE USED WITHOUT WRITTEN PERMISSION											
QUALITY SYMBOLS	EC NO: 111427 DRWN: ULETTENMEIER CHK'D: APPR: RSILLER 2016/12/13 2016/12/14	GENERAL TOLERANCES (UNLESS SPECIFIED)		DIMENSION UNITS	SCALE	 DBO DN 30 MM M12 4P MA AC M12 4P FE AC M8 3P 8PT FE					
		ANGULAR TOL ± °		MM	1:1						
▽ = 0	EC DESCRIPTION EC NO: 111427 DRWN: ULETTENMEIER CHK'D: APPR: RSILLER 2016/12/13 2016/12/14	4 PLACES ±	°	DRWN BY	DATE	PRODUCT CUSTOMER DRAWING					
▽ = 0		3 PLACES ±		ULETTENMEIER	2015/01/26						
▽ = 0		2 PLACES ±	CHK'D BY	DATE	SERIES MATERIAL NUMBER CUSTOMER 112092 SEE TABLE 1 GENERAL MARKET						
▼ = 0		1 PLACE ± 0.3	APPR BY	DATE							
▽ = 0		0 PLACES ± 0.5	RSILLER	2015/05/20	DOCUMENT NUMBER DOC TYPE DOC PART SHEET NUMBER 1120920008 PSD 000 1 OF 3						
⊠ = 0		DRAFT WHERE APPLICABLE MUST REMAIN WITHIN DIMENSIONS		DRAWING SIZE							THIRD ANGLE PROJECTION
■ = 0	A3			A3							
▽ = 0	REV										

**A**  
BUS IN:  
1x MALE M12 5P A-CODE



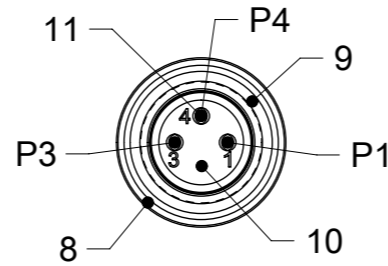
Wiring Information:  
1 - Drain  
2 - Vs+ (24 VDC)  
3 - Vs- (0 VDC)  
4 - CAN H  
5 - CAN L

**B**  
BUS OUT:  
1x FEMALE M12 5P A-CODE



Wiring Information:  
1 - Drain  
2 - Vs+ (24 VDC)  
3 - Vs- (0 VDC)  
4 - CAN H  
5 - CAN L

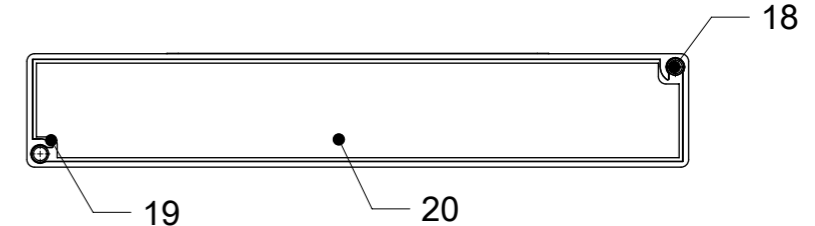
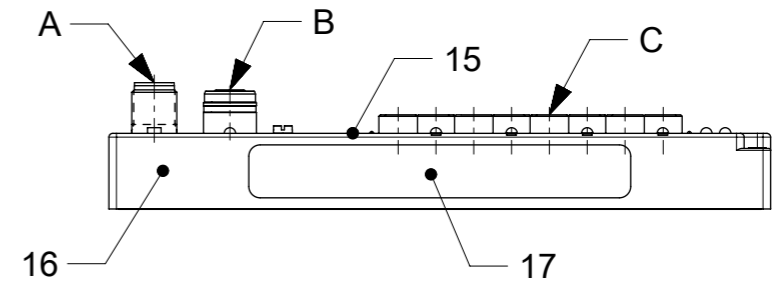
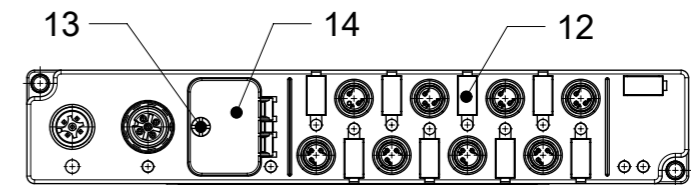
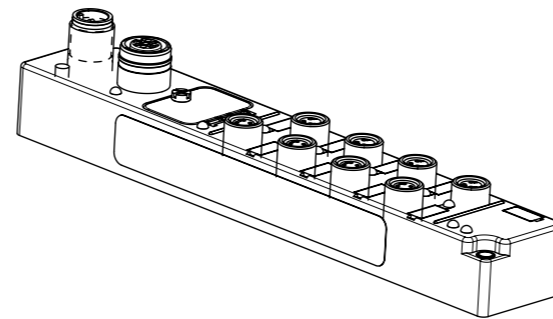
**C**  
INPUT / OUTPUT:  
8x FEMALE M8 3P



Wiring Information:  
1 - Vs+  
3 - Vs-  
4 - Signal

## BILL OF MATERIAL

ITEM	DESCRIPTION	MATERIAL	FINISH
1	SHELL	BRASS	NICKEL PLATET
2	INSERT	TPU	BLACK
3	CONTACT	COPPER ALLOY	GOLD OVER NICKEL
4	INSERT	TPU	BLACK
5	GASKET	FPM	RED
6	SHELL	BRASS	NICKEL PLATET
7	CONTACT	COPPER ALLOY	GOLD OVER NICKEL
8	SHELL	BRASS	NICKEL PLATET
9	GASKET	FKM	RED
10	INSERT	TPU	BLACK
11	CONTACT	COPPER ALLOY	GOLD OVER NICKEL
12	LABEL	PC	WHITE
13	SCREW	V2A	V2A
14	WINDOW	PC	TRANSPARENT
15	LED	PA	TRANSPARENT
16	HOUSING	PBT	BLACK
17	LABEL	PVC	YELLOW
18	SLEEVE	BRASS	NICKEL
19	RESIN	EPOXY	TRANSPARENT
20	LABEL	PVC	WHITE



QUALITY SYMBOLS	THIS DRAWING CONTAINS INFORMATION THAT IS PROPRIETARY TO MOLEX INCORPORATED AND SHOULD NOT BE USED WITHOUT WRITTEN PERMISSION										
▽ = 0	EC DESCRIPTION EC NO: 111427 DRWN: ULETTENMEIER CHK'D: APPR: RSILLER REV: A3	2016/12/13 2016/12/14	GENERAL TOLERANCES (UNLESS SPECIFIED)		DIMENSION UNITS	SCALE					
▽ = 0			ANGULAR TOL ± °		MM	1:1					
▽ = 0			4 PLACES ±	ULETTENMEIER		DATE	2015/01/26				
▼ = 0			3 PLACES ±	CHK'D BY		DATE					
▽ = 0			2 PLACES ±	APPR BY		DATE	RSILLER 2015/05/20				
▽ = 0			1 PLACE ± 0.3	DRAWING SIZE		THIRD ANGLE PROJECTION					
⊠ = 0			0 PLACES ± 0.5	A3							
▽ = 0			DRAFT WHERE APPLICABLE MUST REMAIN WITHIN DIMENSIONS								
■ = 0			<div style="text-align: center;"> <p>DBO DN 30 MM M12 4P MA AC M12 4P FE AC M8 3P 8PT FE</p> <p>PRODUCT CUSTOMER DRAWING</p> </div>								
▽ = 0									SERIES	MATERIAL NUMBER	CUSTOMER
▽ = 0	112092	SEE TABLE 1							GENERAL MARKET		
RELEASE STATUS		P1	RELEASE DATE	14.12.2016	17:27:02						

9

8

7

6

5

4

3

2

1

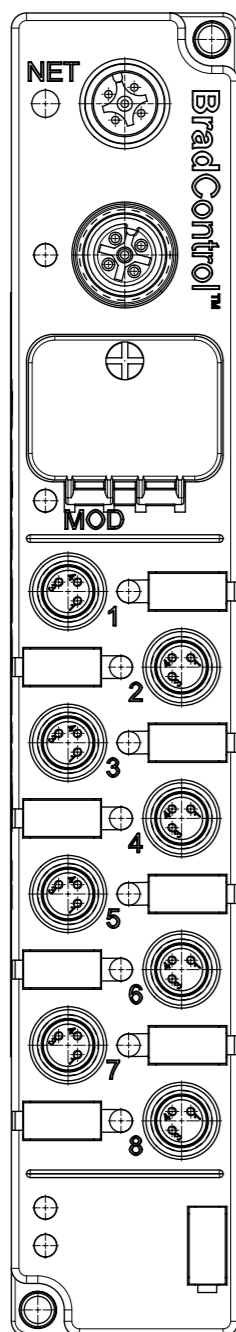
E

D

C

B

A



UNIVERSAL PRINTING

TABLE 1 UNIVERSAL PRINTING

POWER TYPE		INPUT / OUTPUT		DeviceNet		3D MODEL NO.
				ENG.NO.	MOLEX P/N	
M12 5 POLE	NPN	8I	TBDDN-880N-804	1120920022	1120920008 (PDM)	
	PNP	8I	TBDDN-880P-804	1120920008		

QUALITY SYMBOLS	THIS DRAWING CONTAINS INFORMATION THAT IS PROPRIETARY TO MOLEX INCORPORATED AND SHOULD NOT BE USED WITHOUT WRITTEN PERMISSION										
▽ = 0	EC DESCRIPTION EC NO: 111427 DRWN: ULETTENMEIER CHK'D: REV APPR: RSILLER 2016/12/13 2016/12/14	GENERAL TOLERANCES (UNLESS SPECIFIED)		DIMENSION UNITS	SCALE						
▽ = 0		ANGULAR TOL ± °		MM	1:1						
▽ = 0		4 PLACES ±	DRWN BY		DATE		DBO DN 30 MM M12 4P MA AC M12 4P FE AC M8 3P 8PT FE				
▼ = 0		3 PLACES ±	ULETTENMEIER		2015/01/26						
▽ = 0		2 PLACES ±	CHK'D BY		DATE		PRODUCT CUSTOMER DRAWING				
▽ = 0		1 PLACE ± 0.3	RSILLER		2015/05/20						
☒ = 0		0 PLACES ± 0.5	APPR BY		DATE		SERIES	MATERIAL NUMBER	CUSTOMER		
■ = 0		DRAFT WHERE APPLICABLE MUST REMAIN WITHIN DIMENSIONS		DRAWING SIZE	THIRD ANGLE PROJECTION		112092	SEE TABLE 1	GENERAL MARKET		
▽ = 0		A3	A3				DOCUMENT NUMBER		DOC TYPE	DOC PART	SHEET NUMBER
							1120920008	PSD	000	3 OF 3	

RELEASE STATUS	P1	RELEASE DATE	14.12.2016	17:27:02
----------------	----	--------------	------------	----------

9

8

7

6

5

4

3

2

1